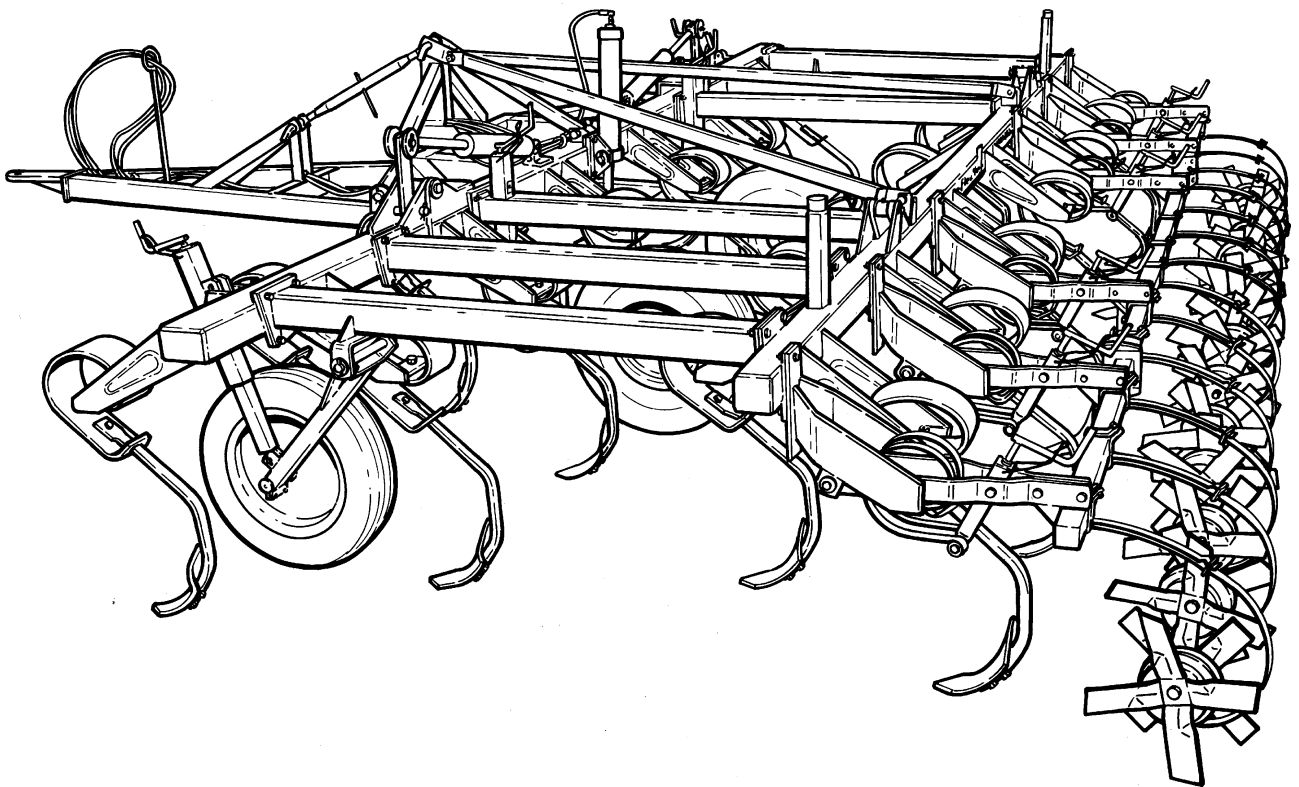


VF 4000 P



Reservedelsliste
Spare parts list
Ersatzteilliste
Onderdelenlijst
Liste de pièce de rechange
Lista dei pezzi di ricambio

VF 4000/4300 pull

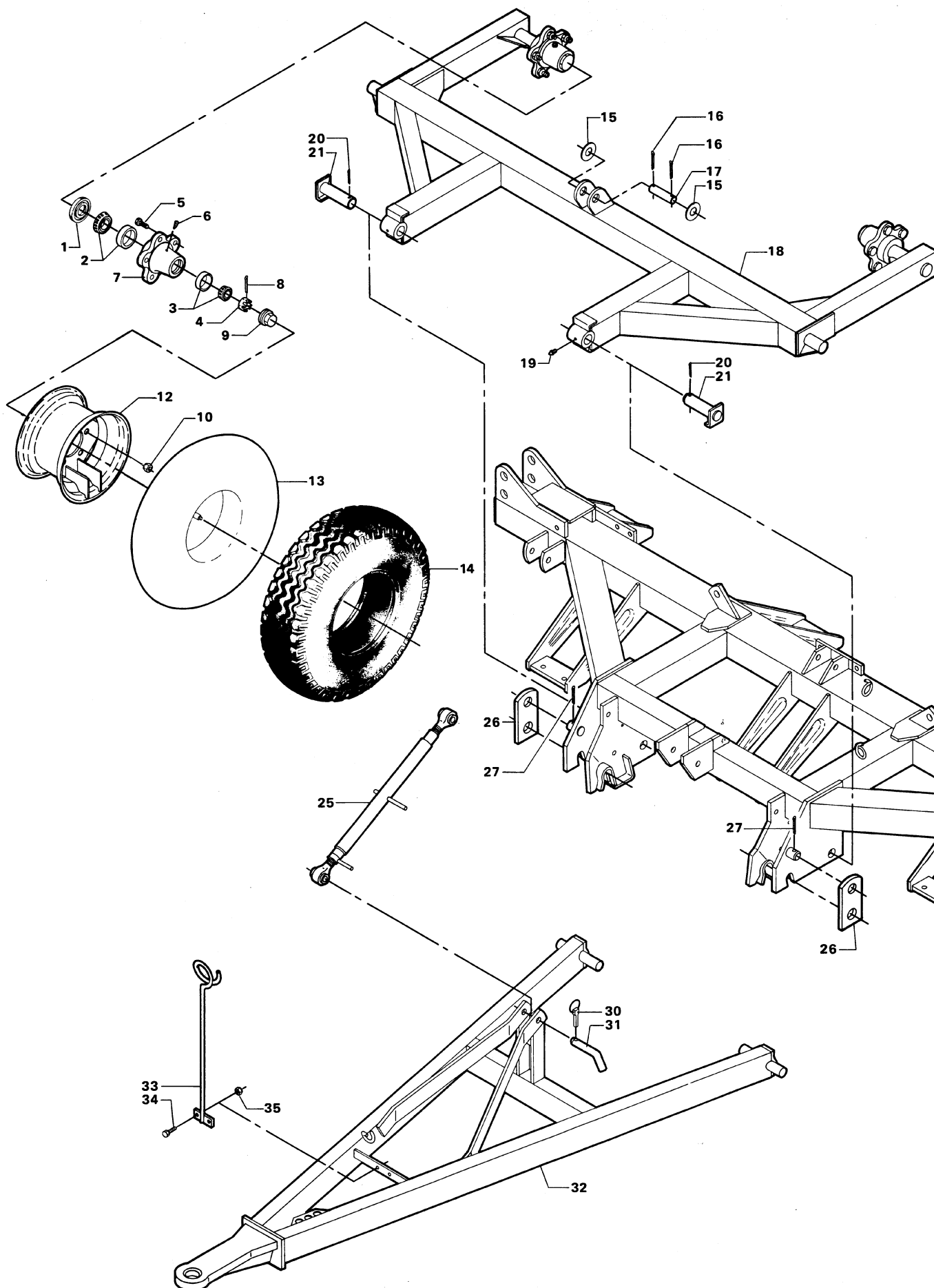


Fig.	Serial no.	Part no.	Pieces	Notes
1		100 423 088	1	Sealing ring ø85/45 x 10 mm
2		100 402 028	1	Cone roller bearing #30 209
3		100 402 027	1	Cone roller bearing #30 206
4		100 316 084	1	Slotted nut M24 x 1.5 mm
5		100 323 364	5	Set screw M24 x 1.5 x 43 mm
6		100 421 000	1	Grease nipple M6
8		100 333 079	1	Split pin ø5 x 35 mm
9		100 423 089	1	ø62
10		100 316 065	5	Nut M24 x 1.5 mmR14
Cpl:		105 150 251	1	Incl. items: 1 - 10, incl. axle
12		101 095 183	1	
13		100 423 026	1	10.0/80 - 12"
14		100 423 025	1	10.0/80 - 12"(8.50 x 12") 8 ply
Cpl:		101 000 768	1	Incl. items: 12 - 14, 10.0/80 - 12"(8.50 x 12") 8 ply
15		100 381 018	2	Flat washer ø1"
16		100 333 029	2	Split pin ø8 x 50 mm
17		101 207 133	1	ø25 x 106 mm
18		105 150 253	1	
19		100 421 000	2	Grease nipple M6
20		100 333 008	2	Split pin ø8 x 40 mm
21		105 150 202	2	
25		105 095 023	1	Top link, cpl.
26		105 185 097	2	
27		100 333 008	2	Split pin ø8 x 40 mm
30		100 333 014	1	Lynch pin ø9.5 mm
31		105 000 388	1	
33		101 200 304	1	
34		100 306 030	2	Set screw M10 x 30 mm
35		100 316 004	2	Lock nut M10
Cpl:		101 110 248	1	Incl. items: 32 - 35

VF 4013

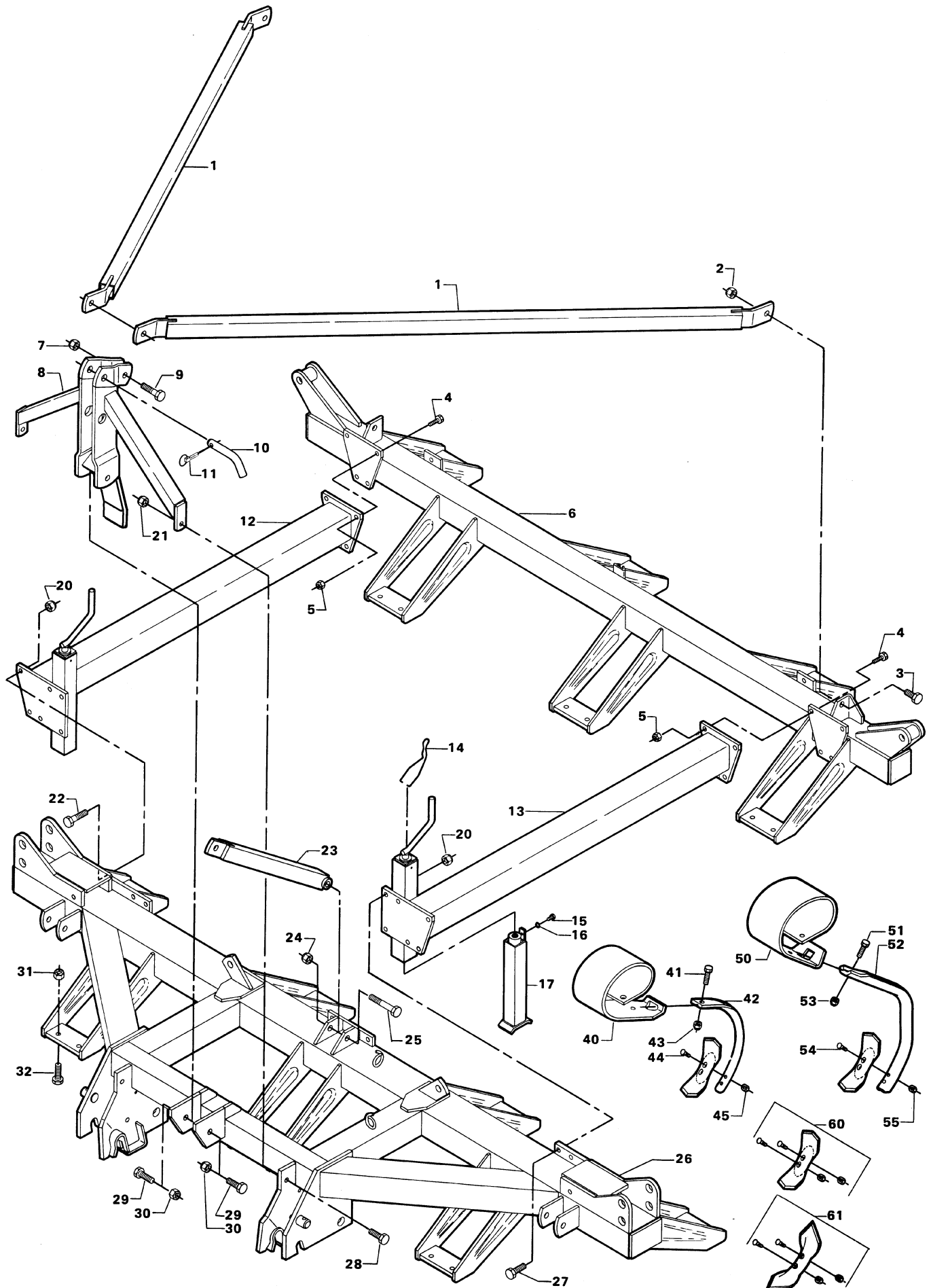


Fig.	Serial no.	Part no.	Pieces	Notes
1		105 150 163	2	
2		100 316 007	2	Lock nut M20
3		100 306 065	2	Set screw M20 x 50 mm
4		100 306 056	8	Set screw M16 x 45 mm
5		100 316 006	8	Lock nut M16
6		105 185 003	1	
7		100 316 007	1	Lock nut M20
8		105 185 022	1	
9		100 306 068	1	Bolt M20 x 120 mm
10		105 000 388	1	
11		100 333 014	1	Lynch pin ø9.5 mm
12		105 150 161	1	
13		105 150 171	1	
14		101 000 064	2	
15		100 308 000	2	Set screw M6 x 8 mm
16		100 332 002	2	Star washer M6
17		105 150 162	2	
20		100 316 006	10	Lock nut M16
21		100 316 006	2	Lock nut M16
22		100 306 058	2	Set screw M16 x 60 mm
23		105 185 074	1	
24		100 316 007	1	Lock nut M20
25		100 306 068	1	Bolt M20 x 120 mm
26		105 185 001	1	
27		100 306 056	8	Set screw M16 x 45 mm
28		100 306 056	2	Set screw M16 x 45 mm
29		100 306 065	2	Set screw M20 x 50 mm
30		100 316 007	2	Lock nut M20
31		100 316 006	26	Lock nut M16
32		100 306 056	26	Set screw M16 x 45 mm
40		105 000 002	13	Type: VF
41		100 306 056	13	Set screw M16 x 45 mm
42		105 000 128	13	Type: VF
43		100 316 006	13	Lock nut M16
Cpl:		100 323 128	-	Repair kit. Fig 44 + 45, pack with 40 pcs.
50		105 150 055	13	Type: VFM
51		100 306 056	13	Set screw M16 x 45 mm
52		105 150 056	13	Type: VFM
53		100 316 006	13	Lock nut M16
Cpl:		100 323 128	-	Repair kit. Fig 54 + 55, pack with 40 pcs.
60		105 000 504	13	Ultra share, 6.5 cm / 8 mm reversible, with bolts
61		105 000 514	13	Ultra mulching share, 11 cm / 8 mm reversible, with bolts

VF 4008

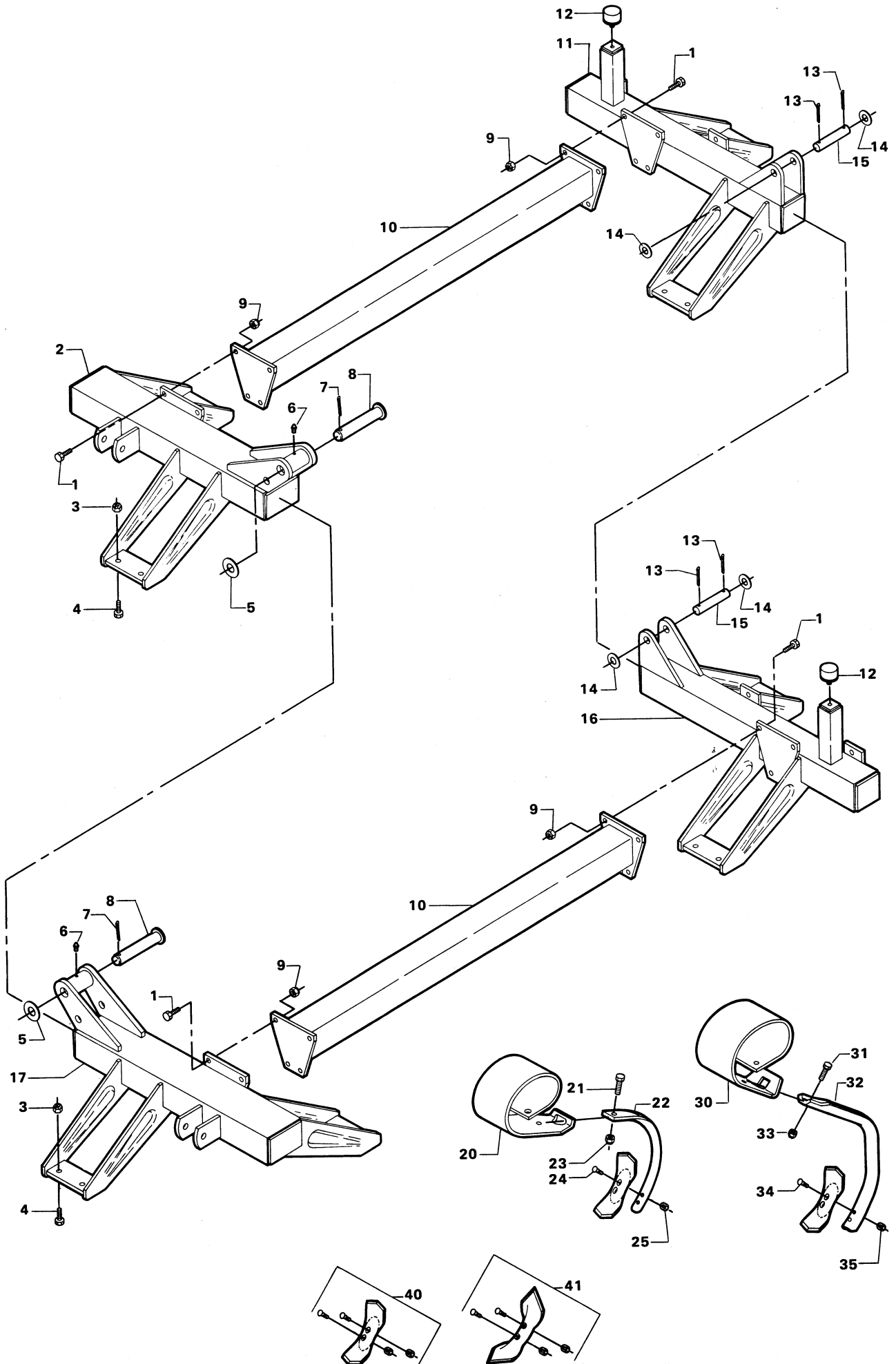


Fig.	Serial no.	Part no.	Pieces	Notes
1		100 306 056	16	Set screw M16 x 45 mm
2		105 186 001	1	VF 4008
3		100 316 006	16	Lock nut M16
4		100 306 056	16	Set screw M16 x 45 mm
5		100 331 065	2	Flat washer ϕ 37/66 x 5 mm
6		100 421 000	2	Grease nipple M6
7		100 333 031	2	Split pin ϕ 10 x 56 mm
8		105 150 268	2	ϕ 35 x 182 mm
9		100 316 006	16	Lock nut M16
10		105 150 149	2	
11		105 186 002	1	VF 4008
12		100 323 270	2	M10
13		100 333 008	4	Split pin ϕ 8 x 40 mm
14		100 381 018	4	Flat washer ϕ 1"
15		101 207 135	2	ϕ 25 x 133 mm
16		105 186 004	1	VF 4008
17		105 186 003	1	VF 4008
20		105 000 002	13	Type: VF
21		100 306 056	13	Set screw M16 x 45 mm
22		105 000 128	13	Type: VF
23		100 316 006	13	Lock nut M16
Cpl:		100 323 128	-	Repair kit. Fig 24 + 25, pack with 40 pcs.
30		105 150 055	13	Type: VFM
31		100 306 056	13	Set screw M16 x 45 mm
32		105 150 056	13	Type: VFM
33		100 316 006	13	Lock nut M16
Cpl:		100 323 128	-	Repair kit. Fig 34 + 35, pack with 40 pcs.
40		105 000 504	13	Ultra share, 6.5 cm / 8 mm reversible, with bolts
41		105 000 514	13	Ultra mulching share, 11 cm / 8 mm reversible, with bolts

VF 4012

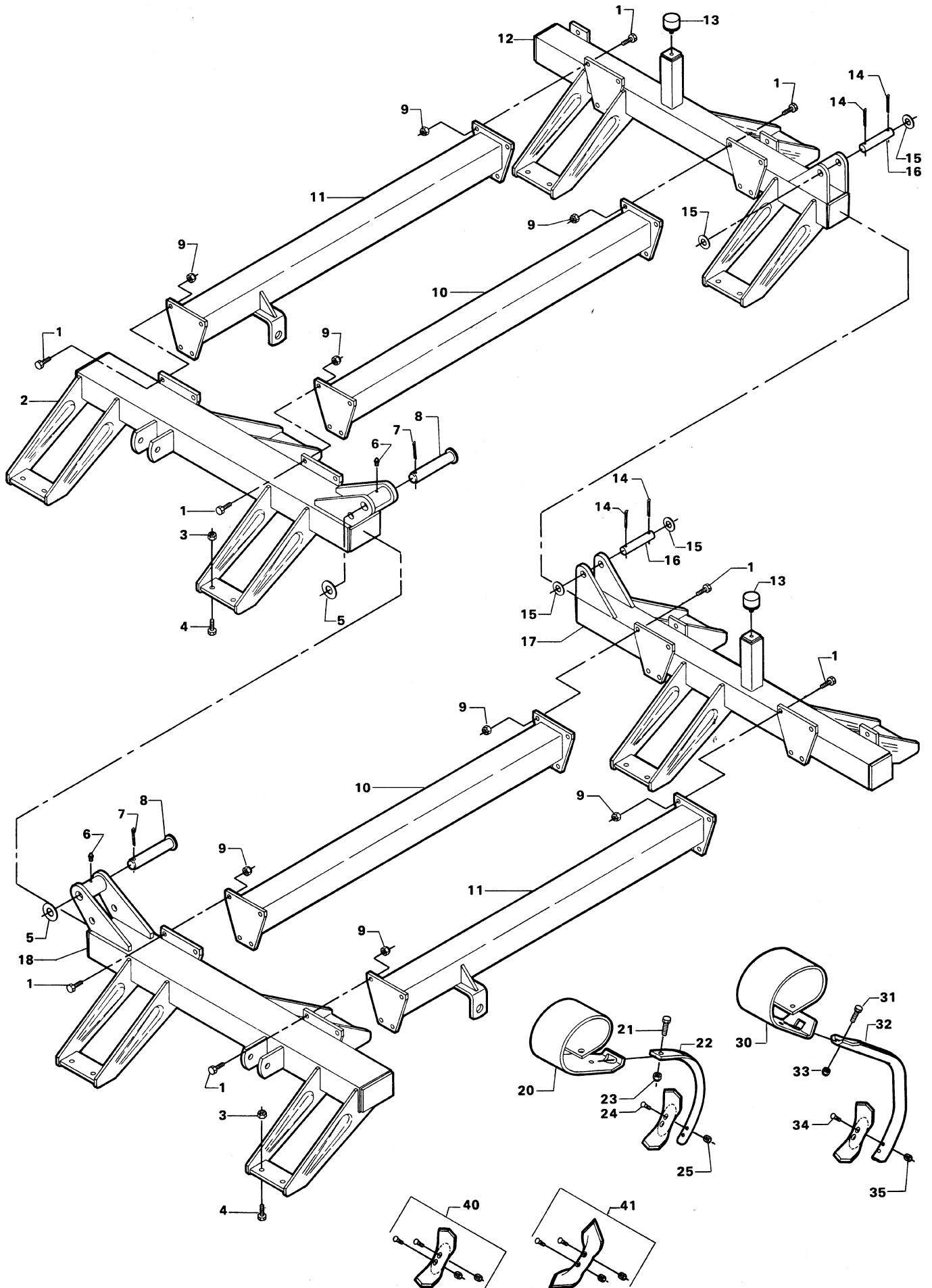


Fig.	Serial no.	Part no.	Pieces	Notes
1		100 306 056	32	Set screw M16 x 45 mm
2		105 187 001	1	VF 4012
3		100 316 006	24	Lock nut M16
4		100 306 056	24	Set screw M16 x 45 mm
5		100 331 065	2	Flat washer $\varnothing 37/66$ x 5 mm
6		100 421 000	2	Grease nipple M6
7		100 333 031	2	Split pin $\varnothing 10$ x 56 mm
8		105 150 268	2	$\varnothing 35$ x 182 mm
9		100 316 006	32	Lock nut M16
10		105 150 149	2	
11		105 150 148	2	
12		105 187 002	1	VF 4012
13		100 323 270	2	M10
14		100 333 008	4	Split pin $\varnothing 8$ x 40 mm
15		100 381 018	4	Flat washer $\varnothing 1"$
16		101 207 135	2	$\varnothing 25$ x 133 mm
17		105 187 004	1	VF 4012
18		105 187 003	1	VF 4012
20		105 000 002	13	Type: VF
21		100 306 056	13	Set screw M16 x 45 mm
22		105 000 128	13	Type: VF
23		100 316 006	13	Lock nut M16
Cpl:		100 323 128	-	Repair kit. Fig 24 + 25, pack with 40 pcs.
30		105 150 055	13	Type: VFM
31		100 306 056	13	Set screw M16 x 45 mm
32		105 150 056	13	Type: VFM
33		100 316 006	13	Lock nut M16
Cpl:		100 323 128	-	Repair kit. Fig 34 + 35, pack with 40 pcs.
40		105 000 504	13	Ultra share, 6.5 cm / 8 mm reversible, with bolts
41		105 000 514	13	Ultra mulching share, 11 cm / 8 mm reversible, with bolts

VF 4000

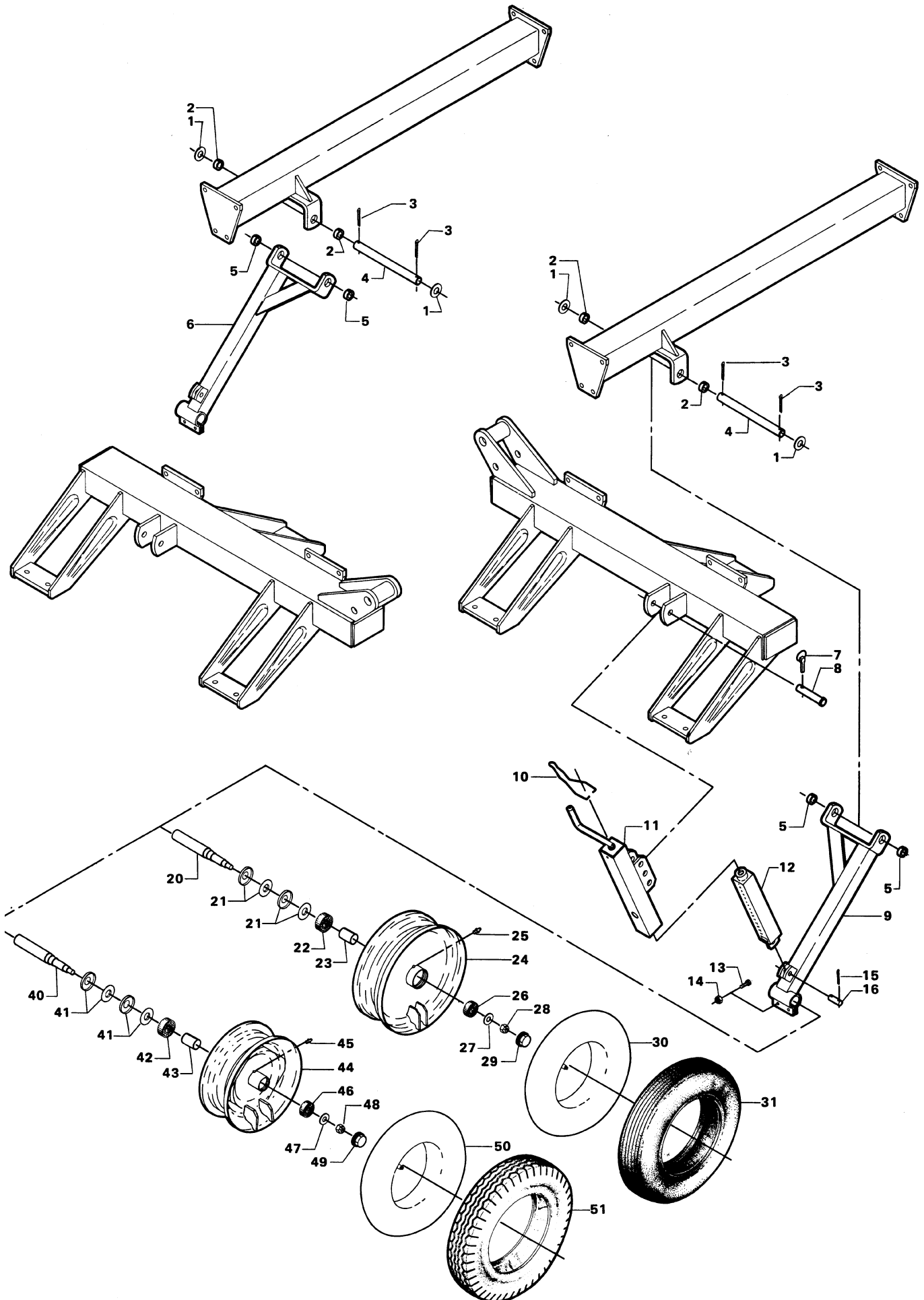


Fig.	Serial no.	Part no.	Pieces	Notes
1		100 381 018	4	Flat washer \varnothing 1"
2		101 090 199	4	Tension bushing \varnothing 33/27 x 12 mm
3		100 333 008	4	Split pin \varnothing 8 x 40 mm
4		105 000 670	2	
5		101 090 199	4	Tension bushing \varnothing 33/27 x 12 mm
6		105 150 239	1	
7		100 333 014	2	Lynch pin \varnothing 9.5 mm
8		101 000 787	2	\varnothing 19 x 120 mm
9		105 150 238	1	
10		101 000 064	2	
11		105 150 085	2	
12		105 000 398	2	
13		100 306 030	4	Set screw M10 x 30 mm
14		100 306 004	4	Lock nut M10
15		100 333 003	4	Split pin \varnothing 4 x 25 mm
16		105 000 667	2	\varnothing 16 x 46 mm
20		100 423 081	1	
21		100 423 036	2	Seal cover Z007
22		100 401 030	1	Ball bearing #6206
23		100 423 062	1	Spacer \varnothing 35/31 x 64.6 mm
24		100 423 073	1	6.75 x 14.5"
25		100 421 000	1	Grease nipple M6
26		100 401 028	1	Ball bearing #6305
27		100 423 064	1	Flat washer \varnothing 40/17 x 3 mm
28		100 316 006	1	Lock nut M16
29		100 423 065	1	Dust cap \varnothing 62 mm
30		100 423 071	1	24 x 8.00 - 14.5"
31		100 423 070	1	24 x 8.00 - 14.5"/10 ply
Cpl: 40		105 150 250 100 423 035	1 1	Incl. items 20 - 31, 24 x 8.00 - 14.5"/10 ply
41		100 423 036	2	Seal cover Z007
42		100 401 030	1	Ball bearing #6206
43		100 423 055	1	Spacer \varnothing 35/31 x 49.2 mm
44		100 423 034	1	4.00 x 12"/2.5 mm
45		100 421 000	1	Grease nipple M6
46		100 401 008	1	Ball bearing #6205
47		100 423 038	1	Flat washer \varnothing 34/17 x 3 mm
48		100 316 006	1	Lock nut M16
49		100 423 037	1	Dust cap \varnothing 52 mm
50		100 423 040	1	6.00 x 12"
51 Cpl:		100 423 039 105 000 442	1 1	6.00 x 12/4" ply Incl. items 40 - 51

VF 4000

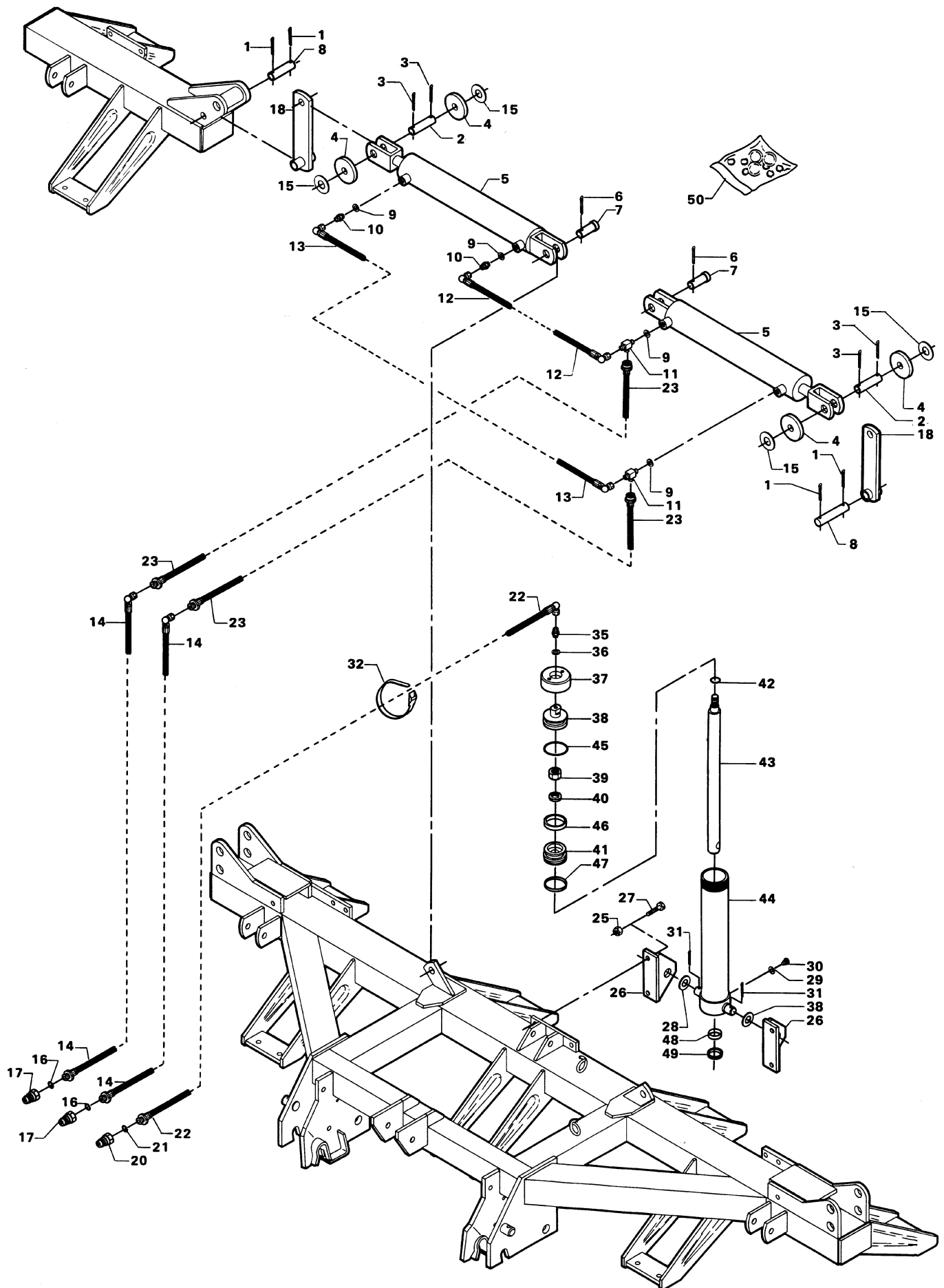


Fig.	Serial no.	Part no.	Pieces	Notes
1		100 333 008	4	Split pin $\varnothing 8 \times 40$ mm
2		105 021 200	2	$\varnothing 25 \times 99$ mm
3		100 333 008	4	Split pin $\varnothing 8 \times 40$ mm
4		105 021 209	4	
5		101 000 310	2	Cpl. $\varnothing 75 \times 400$ mm
Cpl:		101 000 797	1	Repair kit for $\varnothing 75 \times 400$ mm, incl. items 50
6		100 333 008	4	Split pin $\varnothing 8 \times 40$ mm
7		101 000 786	2	$\varnothing 24 \times 78$ mm
8		101 200 664	2	$\varnothing 25 \times 146$ mm
9		100 413 042	4	Copper washer 1/4"
10		100 420 030	2	Hexagon nipple 1/4" - 1/4"
11		100 420 031	2	Tee 1/4"
12		101 200 200	1	Hose assy., 1/4" x 1460 mm
13		101 200 201	1	Hose assy., 1/4" x 2270 mm
Cpl:		101 110 112	2	Hose assy., 1/4" x 2800 mm, incl. items 14, 16 & 17
15		100 381 018	4	Flat washer $\varnothing 1"$
16		100 413 047	2	$\varnothing 17.86 \times 2.62$ mm
17		100 420 042	2	B5602 - 8 - 10
18		105 185 087	2	
20		100 420 042	1	B5602 - 8 - 10
21		100 413 047	1	O-ring $\varnothing 17.86 \times 2.62$ mm
Cpl:		105 150 207	1	Hose assy., 3/8" x 5030 mm, incl. items 20, 21 & 22
23		101 050 442	1	Hose assy., 1/4" x 2570 mm
25		100 316 006	4	Lock nut M16
26		105 185 083	2	
27		100 306 056	4	Set screw M16 x 45 mm
28		100 381 018	2	Flat washer $\varnothing 1"$
29		100 413 042	1	Copper washer 1/4"
30		100 420 024	1	1/4"
31		100 333 007	2	Split pin $\varnothing 5 \times 45$ mm
32		100 420 041	3	
35		100 420 062	1	1/4" - 3/8"
36		100 413 042	1	Copper washer 1/4"
37		105 150 143	1	Outside end cap
38		105 150 142	1	Inside end cap
39		100 315 018	1	Nut M24 x 2 mm
40		100 316 014	1	Counter nut M24 x 2 mm
41		105 150 140	1	Piston
42		100 413 007	1	O-ring $\varnothing 24.2 \times 3$ mm
43		105 150 139	1	Piston rod
44		105 150 145	1	Cylinder tube
Cpl:		105 150 276	1	Seal kit, incl. items 45 - 49
Cpl:		105 150 137	1	$\varnothing 75 \times 400$, incl. items 37 - 49

