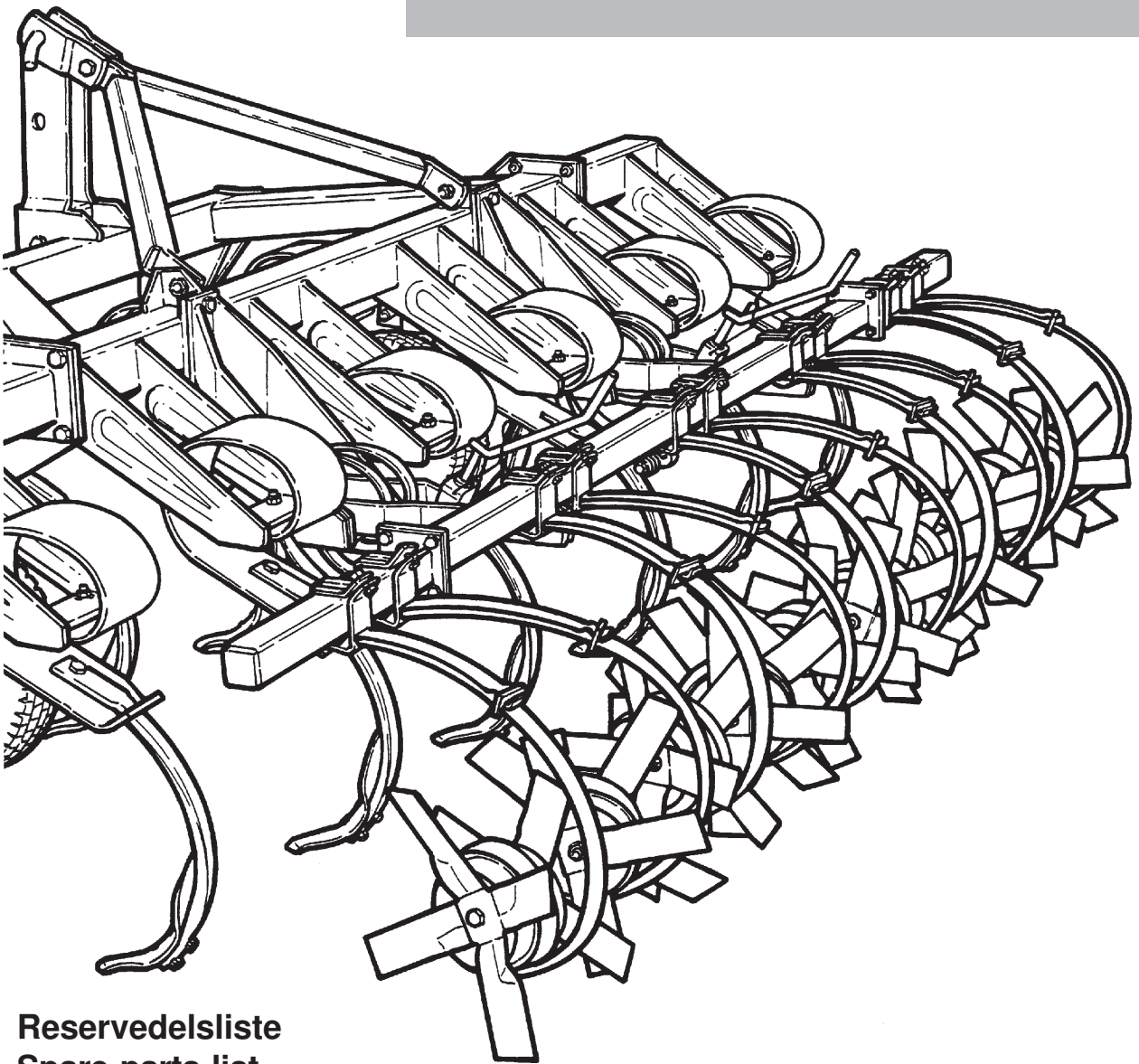


VF 2000



Reservedelsliste
Spare parts list
Ersatzteilliste
Onderdelenlijst
Liste de pièce de rechange
Lista dei pezzi di ricambio

VF 2007/2009/2011

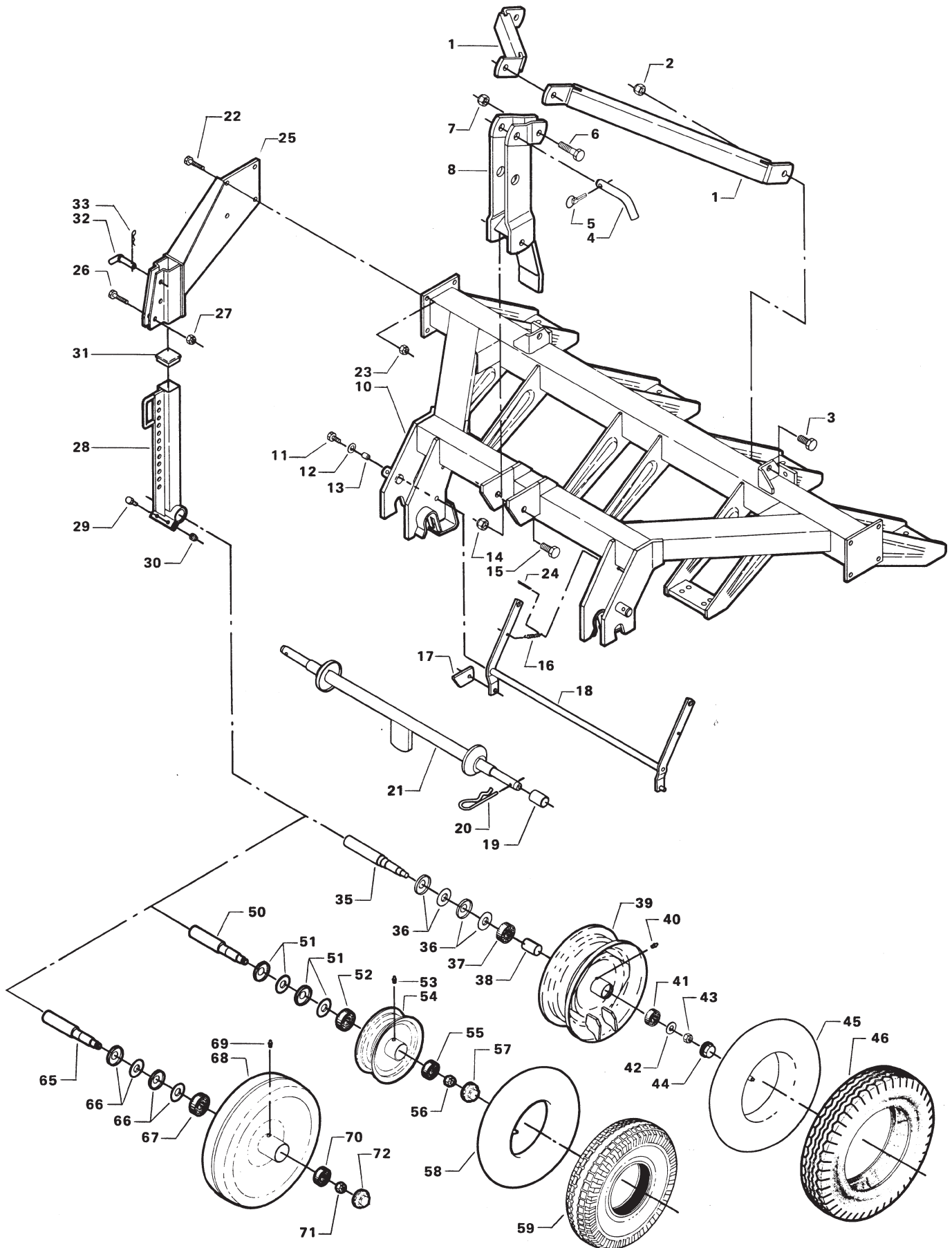


Fig.	Serial no.	Part no.	Pieces	Notes
1		105 155 004	2	
2		100 316 007	2	Lock nut M20
3		100 306 065	2	Set screw M20 x 50 mm
4		105 000 388	1	
5		100 333 014	1	Lunch pin ø9.5 mm
6		100 306 069	1	Bolt M20 x 80 mm
7		100 316 007	1	Lock nut M20
8		105 150 018	1	
10		105 155 000	1	
11		100 304 033	2	Set screw M12 x 35 mm
12		100 331 007	2	Flat washer M12
13		105 000 410	2	Spacer ø17/13 x 20 mm
14		100 316 007	2	Lock nut M20
15		100 306 065	2	Set screw M20 x 50 mm
16		101 000 624	2	
17		105 000 390	2	
18		105 000 396	1	
19		101 050 588	2	ø38/28.7 x 43 mm
20		100 333 012	2	Hair pin clip ø8 mm
21		101 050 297	1	
Cpl:		101 050 296	1	Repair kit. Fig. 19 - 21 Cat. 2 CND
22		100 306 057	8	Set screw M16 x 50 mm
23		100 316 006	8	Lock nut M16
24		100 333 008	2	Split pin ø8 x 40 mm
25		105 150 106	2	
26		100 306 057	2	Set screw M16 x 50 mm
27		100 316 006	2	Lock nut M16
28		105 150 103	2	
29		100 306 030	4	Set screw M10 x 30 mm
30		100 316 004	4	Lock nut M10
31		100 414 030	2	Plug 50 x 50 x 4 mm
32		104 000 013	2	
33		100 333 011	2	Hair pin clip ø4 mm
35		100 423 035	1	
36		100 423 036	2	Seal cover Z007
37		100 401 030	1	Ball bearing #6206
38		100 423 055	1	Spacer ø35/17 x 49.2 mm
39		100 423 034	1	4.00 x 12/2.5 mm
40		100 421 000	1	Grease nipple M6
41		100 401 008	1	Ball bearing #6205
42		100 423 038	1	Flat washer ø34/17 x 3 mm
43		100 316 006	1	Lock nut M16
44		100 423 037	1	M52 x 1 mm
45		100 423 040	1	6.00 x 12
46		100 423 039	1	6.00 x 12/4 ply
Cpl:		105 000 442	1	Repair kit. Fig. 35 - 46. Rubber wheel 6.00 x 12
50		105 000 356	1	
51		100 413 015	2	Seal cover Z005
52		100 401 008	1	Ball bearing #6205
53		100 421 000	1	Grease nipple M6
Cpl:		101 019 371	1	Repair kit. Fig. 53 - 54. Rim with grease nipple
55		100 401 010	1	Ball bearing #6304
56		100 316 006	1	Lock nut M16
57		100 423 021	1	M52 x 1.25 mm
58		101 050 197	1	5.00 x 8
59		100 423 030	1	5.00 x 8/4 ply
Cpl:		105 000 360	1	Repair kit. Fig. 50 - 59. Rubber wheel 5.00 x 8
65		105 000 356	1	
66		100 413 015	2	Seal cover Z005
67		100 401 008	1	Ball bearing #6205
69		100 421 000	1	Grease nipple M6
Cpl:		100 423 022	1	Repair kit. Fig. 68 - 69. Wheel with grease nipple.
70		100 401 010	1	Ball bearing #6304
71		100 316 006	1	Lock nut M16
72		100 423 021	1	M52 x 1.25 mm
Cpl:		105 000 359	1	Repair kit. Fig 65 - 72. Iron wheel ø450 x 100

VF 2002/2004

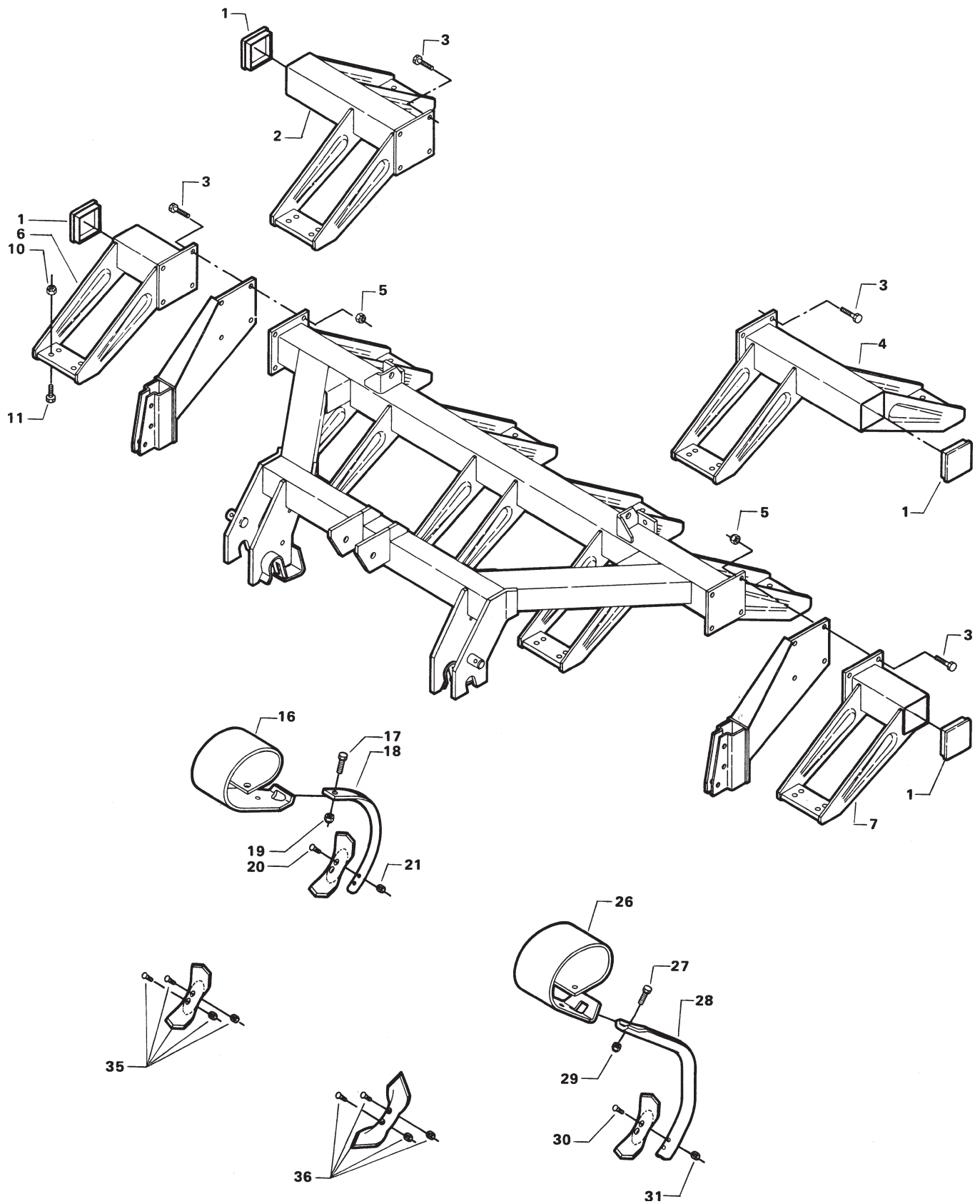


Fig.	Serial no.	Part no.	Pieces	Notes
1		100 414 029	2	100 x 100 x 6 mm plug
2		105 157 001	1	VF 2004
3		100 306 057	8	Set screw M16 x 50 mm
4		105 157 002	1	VF 2004
5		100 316 006	8	Lock nut M16
6		105 156 004	1	VF 2002
7		105 156 001	1	VF 2002
10		100 316 006	-	Lock nut M16
11		100 306 056	-	Set screw M16 x 45 mm
16		105 000 002	-	Type: VF
17		100 306 056	-	Set screw M16 x 45 mm
18		105 000 128	-	Type: VF
19		100 316 006	-	Lock nut M16
Cpl: 26		100 323 128	-	Repair kit: Fig. 20 + 21. Pack with 40 pcs.
		105 150 055	-	Type: VFM
27		100 306 056	-	Set screw M16 x 45 mm
28		105 150 056	-	Type: VFM
29		100 316 006	-	Lock nut M16
30		100 306 056	-	Set screw M16 x 45 mm
31		100 316 006	-	Lock nut M16
Cpl: 35 36		100 323 128	-	Repair kit: Fig. 30 + 31. Pack with 40 pcs.
		105 000 504	-	Ultra share, 6.5 cm / 8 mm reversible, with bolts.
		105 000 514	-	Ultra mulching share, 11 cm / 8 mm reversible, with bolts.

VF 310, 313, 302/304 & 306

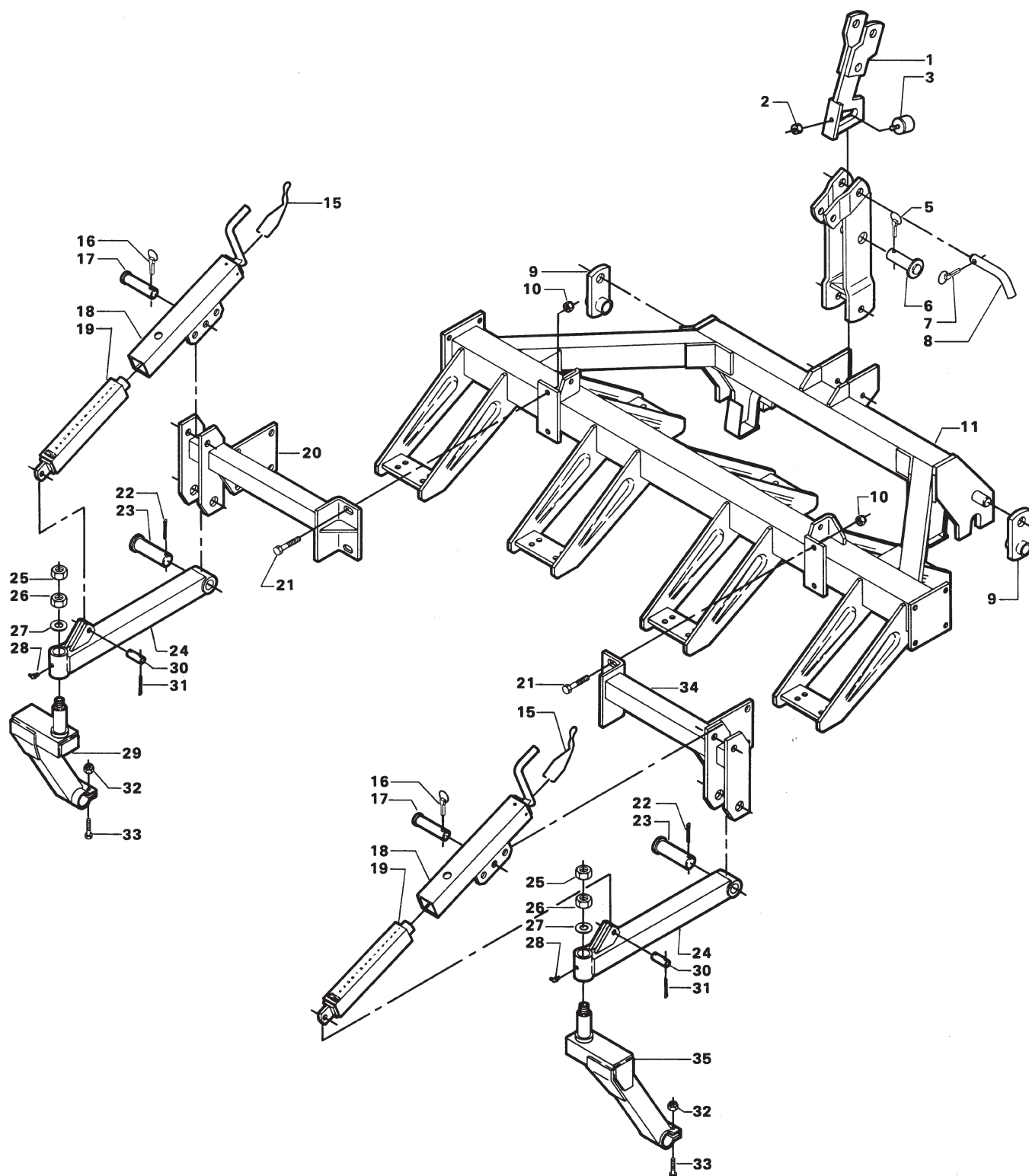


Fig.	Serial no.	Part no.	Pieces	Notes
1		105 155 025	1	
2		100 316 004	1	Lock nut M10
3		100 323 270	1	M10
5		100 333 014	1	Lynch pin ø9.5 mm
6		105 155 029	1	ø32 x 110 mm
7		100 333 014	1	Lynch pin ø9.5 mm
8		105 000 388	1	
9		105 155 024	2	
10		100 316 006	4	Lock nut M16
15		101 000 064	2	
16		100 333 014	2	Lynch pin ø9.5 mm
17		101 000 787	2	ø19 x 120 mm
18		105 150 085	2	
19		105 000 398	2	
20		105 155 093	1	
21		100 306 056	4	Set screw M16 x 45 mm
22		100 333 008	2	Split pin ø8 x 40 mm
23		101 017 979	2	
24		300 004 390	2	
25		100 316 017	2	Counter nut M20
26		100 315 019	2	Nut M20
27		100 331 002	2	Flat washer M20
28		100 421 000	2	Grease nipple M6
29		300 004 392	1	
30		105 000 667	2	ø16 x 46 mm
31		100 333 003	4	Split pin ø4 x 25 mm
32		100 316 004	4	Lock nut M10
33		100 306 030	4	Set screw M10 x 30 mm
34		105 155 094	1	
35		300 004 391	1	

