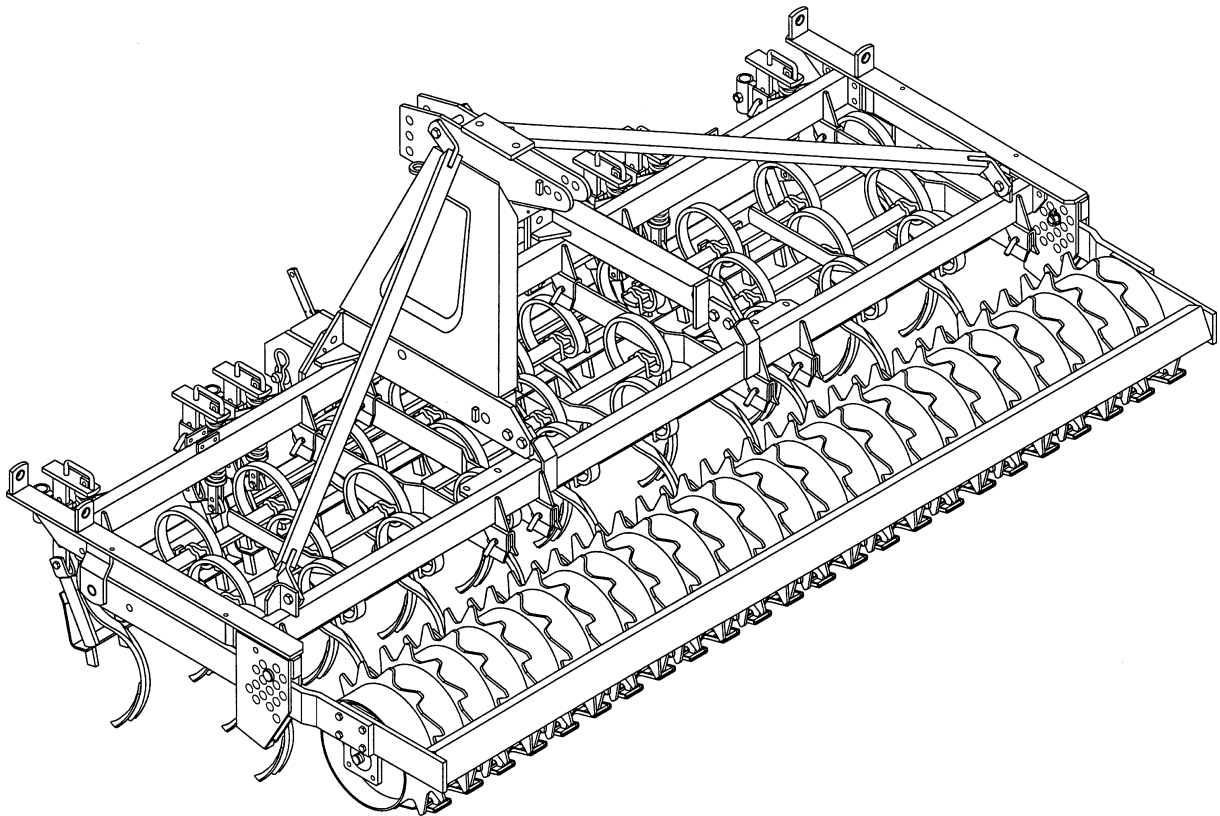


CH 3000 & 4000



Reservedelsliste
Spare parts list
Ersatzteilliste
Onderdelenlijst
Liste de pièce de rechange
Lista dei pezzi di ricambio

CH 3000

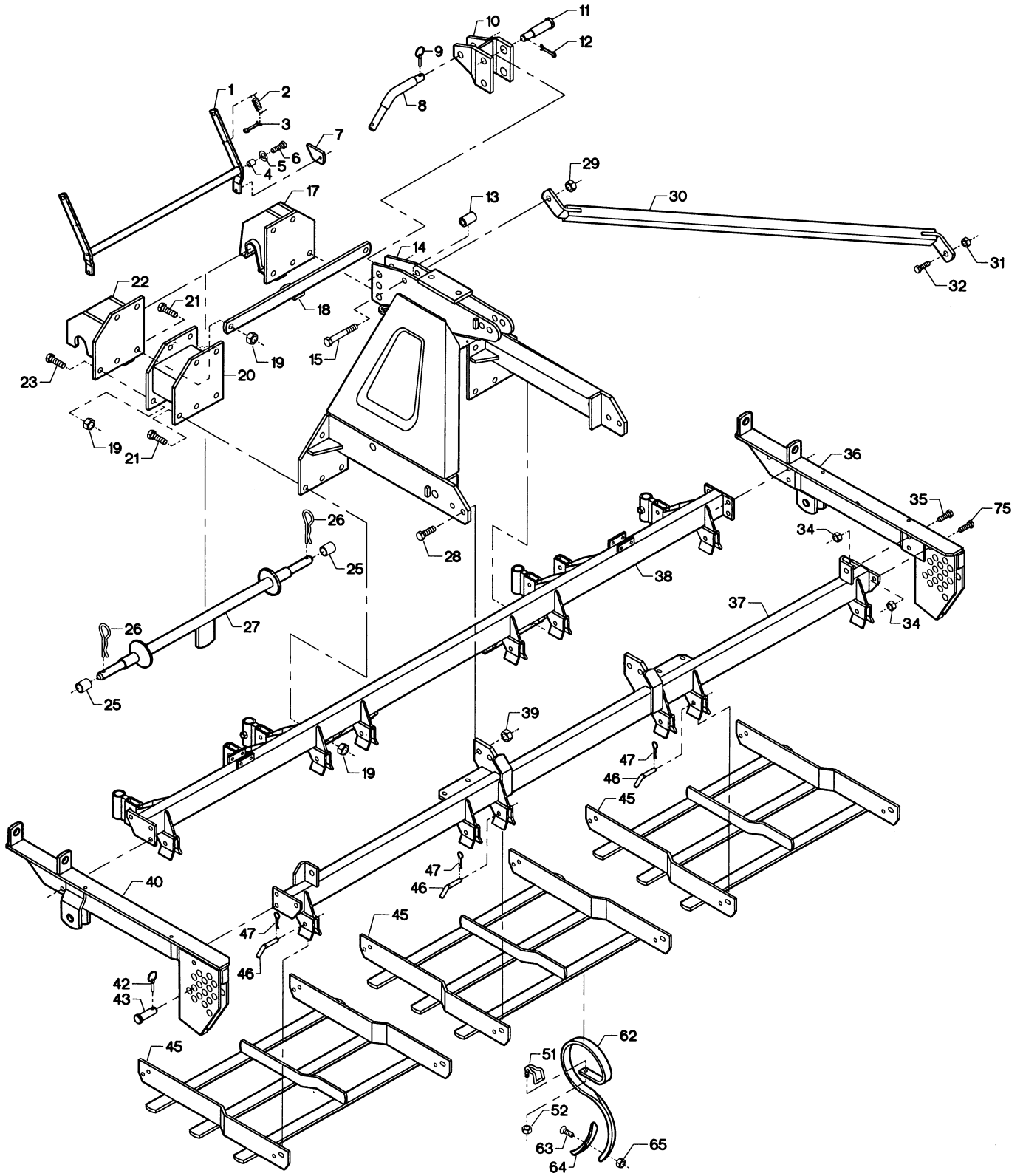


Fig.	Serial no.	Part no.	Pieces	Notes
1		105 000 396	1	
2		101 000 624	2	
3		100 333 008	2	Split pin $\varnothing 8 \times 40$ mm
4		105 000 410	2	
5		100 331 007	2	Flat washer M12
6		100 304 033	2	Set screw M12 x 35 mm
7		105 000 390	2	
8		101 000 307	1	
9		100 333 014	1	Lynch pin $\varnothing 9.5$ mm
10		107 300 675	1	
11		107 300 764	2	
12		100 333 005	2	Split pin $\varnothing 6 \times 40$ mm
13		101 400 145	1	
14		101 400 043	1	
15		100 306 074	1	Bolt M20 x 140 mm
17		101 400 030	1	
18		101 400 127	1	
19		100 316 007	20	Lock nut M20
20		101 400 124	2	
21		100 306 066	8	Set screw M20 x 60 mm
22		101 400 024	1	
23		100 306 065	12	Set screw M20 x 50 mm
25		101 050 588	2	
26		100 333 012	2	Hair pin clip $\varnothing 8$ mm
Cpl		101 050 296	1	Complete incl. items 25 - 27
28		100 306 066	4	Set screw M20 x 60 mm
29		100 316 007	1	Lock nut M20
30		101 400 052	2	
31		100 316 007	2	Lock nut M20
32		100 306 065	2	Set screw M20 x 50 mm
34		100 316 006	12	Lock nut M16
35		100 306 055	10	Set screw M16 x 40 mm
36		101 400 156	1	
37		101 410 025	1	
38		101 410 024	1	
39		100 316 007	4	Lock nut M20
40		101 400 155	1	
42		100 333 014	2	Lynch pin $\varnothing 9.5$ mm
43		108 010 355	2	Split $\varnothing 25 \times 90$ mm
45		101 400 000	3	
46		104 000 013	12	
47		100 333 011	12	Hair pin clip $\varnothing 4$ mm
52		100 315 016	1	Nut M12
Cpl		101 000 742	27	Complete incl. items 51 + 52
63		100 323 126	1	Share bolt M10 x 37 mm
64		101 000 019	1	
65		100 315 021	1	Nut M10
Cpl		101 000 740	27	Complete incl. items 62 - 65
Cpl		101 000 640	1	Complete incl. items 63 - 65
Cpl		100 323 040	1	Complete incl. items 63 + 65
75		100 306 056	2	Set screw M16 x 45 mm

CH 4000

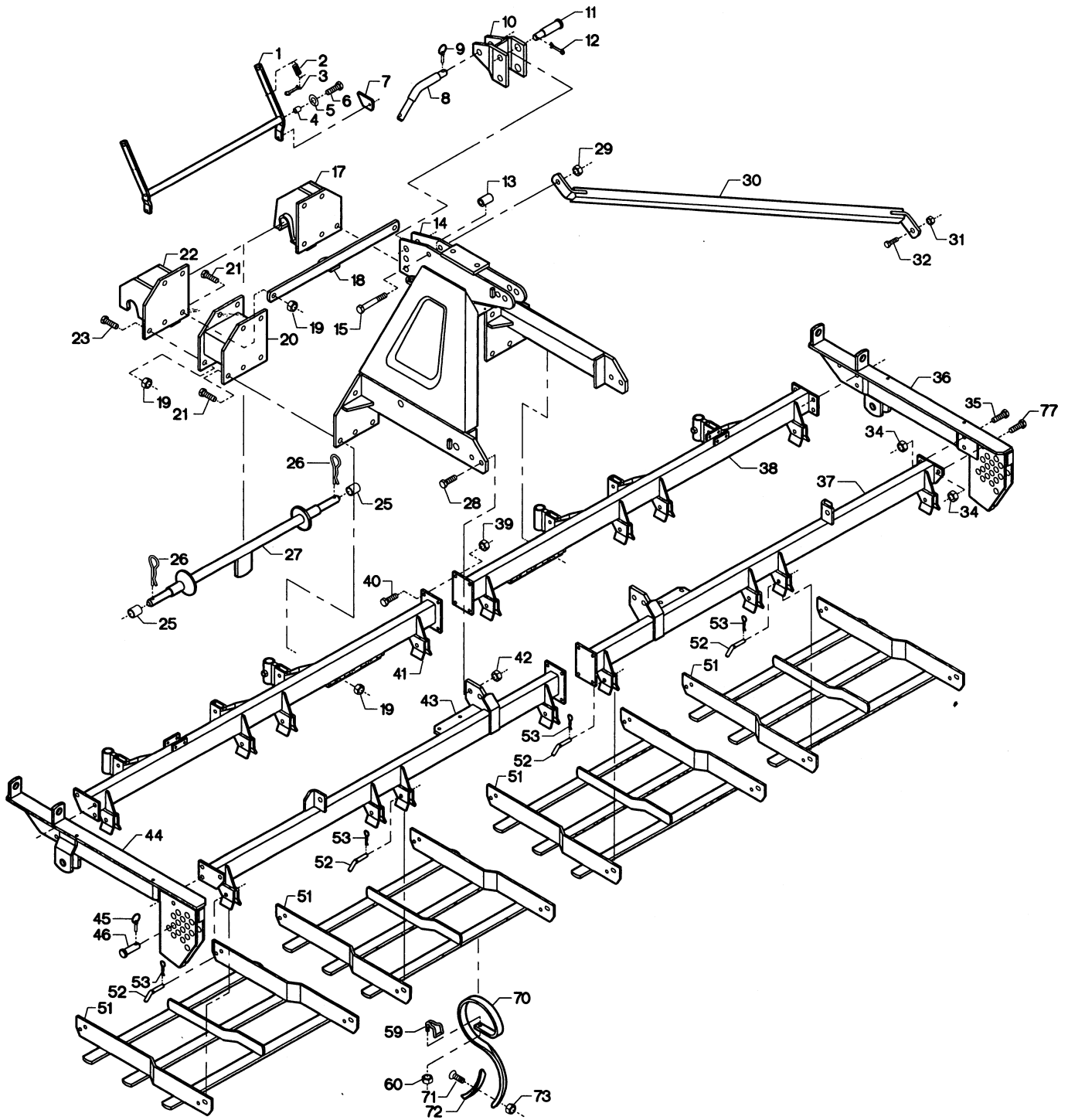
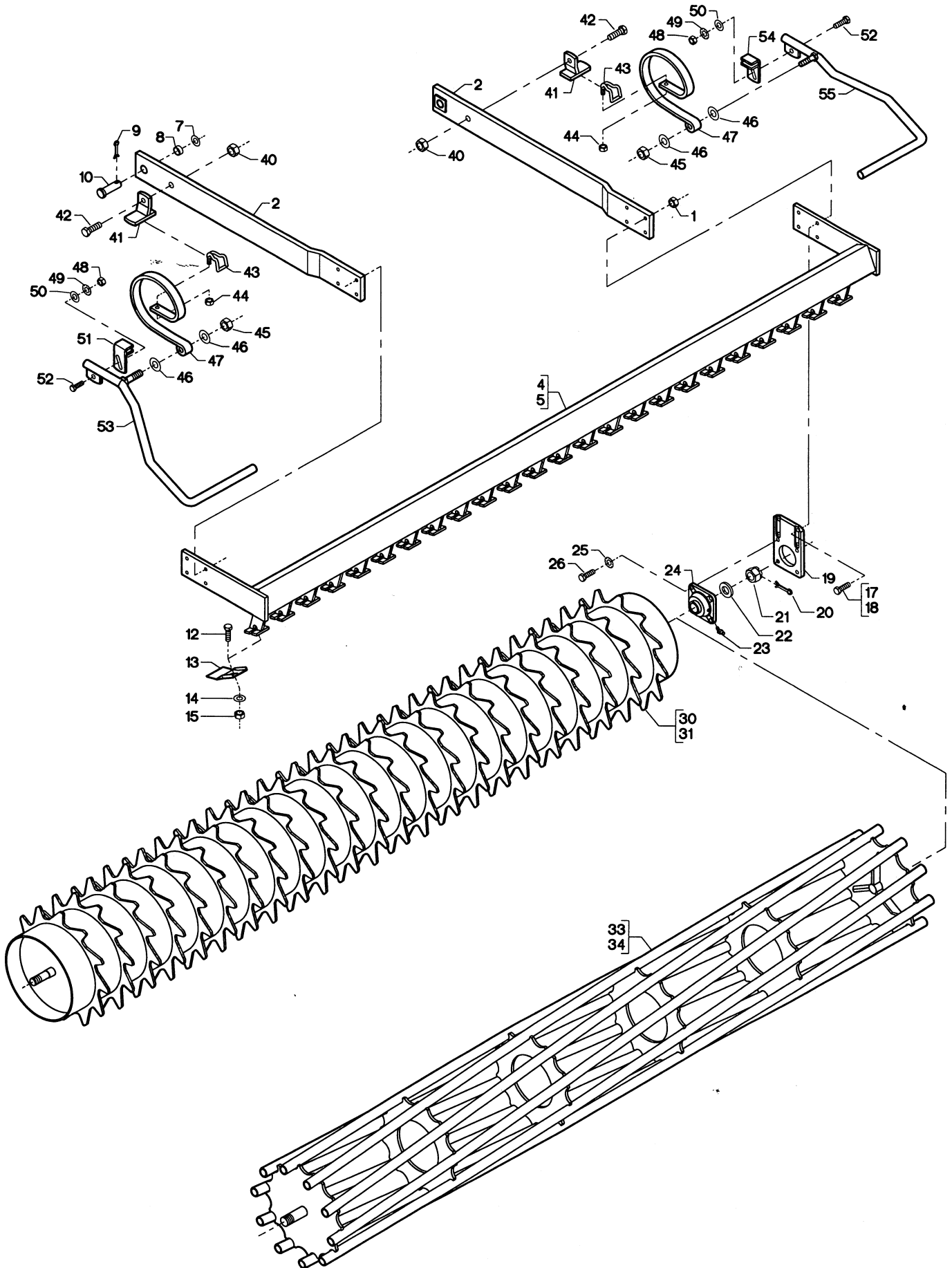
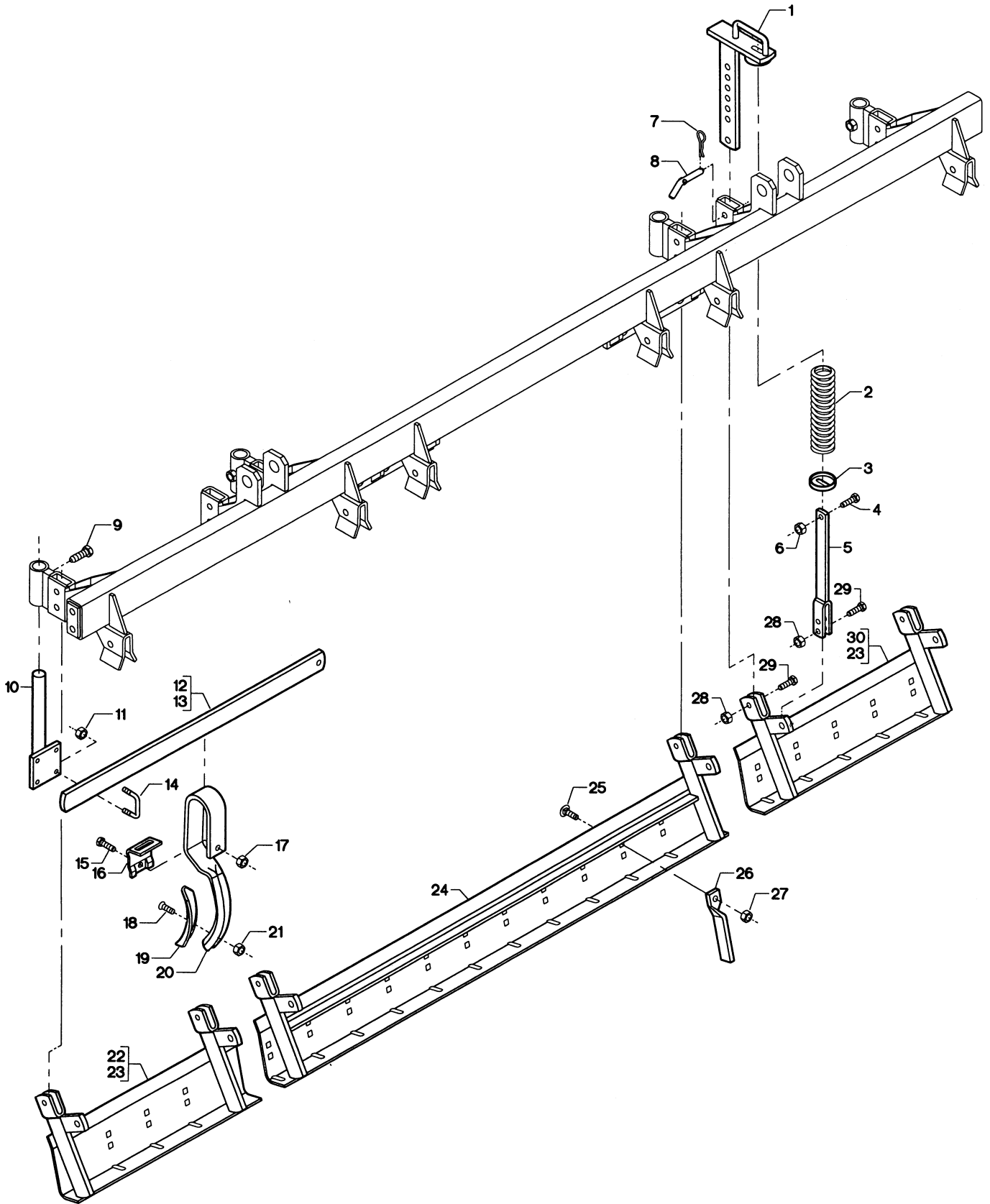


Fig.	Serial no.	Part no.	Pieces	Notes
1		105 000 396	1	
2		101 000 624	2	
3		100 333 008	2	Split pin $\varnothing 8 \times 40$ mm
4		105 000 410	2	
5		100 331 007	2	Flat washer M12
6		100 304 033	2	Set screw M12 x 35 mm
7		105 000 390	2	
8		101 000 307	1	
9		100 333 014	1	Lynch pin $\varnothing 9.5$ mm
10		107 300 675	1	
11		107 300 764	2	
12		100 333 005	2	Split pin $\varnothing 6 \times 40$ mm
13		101 400 145	1	
14		101 400 043	1	
15		100 306 074	1	Bolt M20 x 140 mm
17		101 400 030	1	
18		101 400 127	1	
19		100 316 007	20	Lock nut M20
20		101 400 124	2	
21		100 306 066	8	Set screw M20 x 60 mm
22		101 400 024	1	
23		100 306 065	12	Set screw M20 x 50 mm
25		101 050 588	2	
26		100 333 012	2	Hair pin clip $\varnothing 8$ mm
Cpl		101 050 296	1	Complete incl. items 25 - 27
28		100 306 066	4	Set screw M20 x 60 mm
29		100 316 007	1	Lock nut M20
30		101 400 052	2	
31		100 316 007	2	Lock nut M20
32		100 306 065	2	Set screw M20 x 50 mm
34		100 316 006	12	Lock nut M16
35		100 306 055	10	Set screw M16 x 40 mm
36		101 400 156	1	
37		101 420 079	1	
38		101 420 052	1	
39		100 316 005	8	Lock nut M12
40		100 304 033	8	Bolt M12 x 35 mm
41		101 420 056	1	
42		100 316 007	4	Lock nut M20
43		101 420 078	1	
44		101 400 155	1	
45		100 333 014	2	Lynch pin $\varnothing 9.5$ mm
46		108 010 355	2	Split $\varnothing 25 \times 90$ mm
51		101 400 000	4	
52		104 000 013	16	
53		100 333 011	16	Hair pin clip $\varnothing 4$ mm
58		105 077 093	2	
60		100 315 016	1	Nut M12
Cpl		101 000 742	36	Complete incl. items 59 + 60
71		100 323 126	1	Share bolt M10 x 37 mm
72		101 000 019	1	
73		100 315 021	1	Nut M10
Cpl		101 000 740	36	Complete incl. items 70 - 73
Cpl		101 000 640	1	Complete incl. items 71 - 73
Cpl		100 323 040	1	Complete incl. items 71 + 73
77		100 306 056	2	Set screw M16 x 45 mm

CH 3000 & 4000



CH 3000 & 4000



CH 3000 & 4000

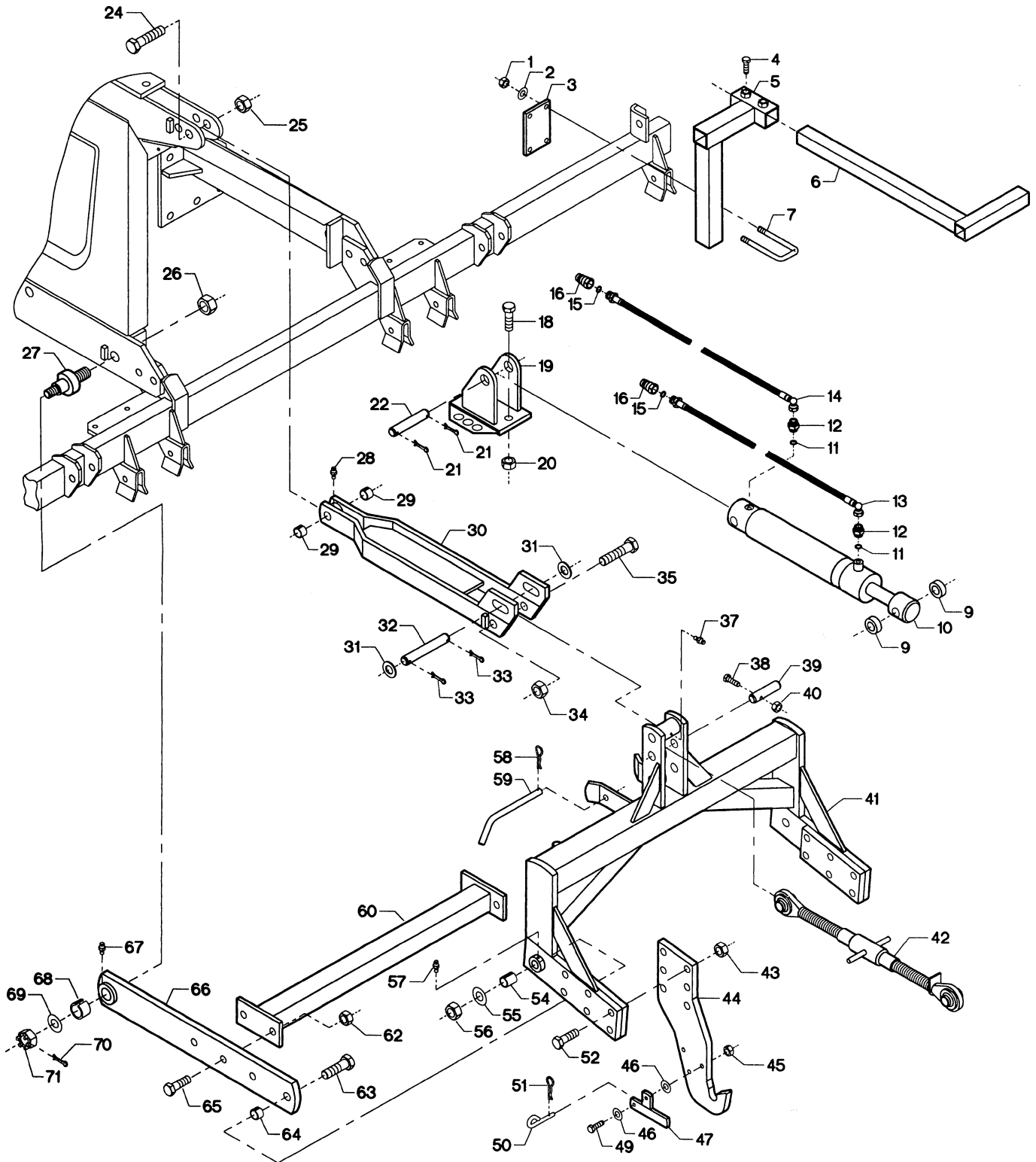


Fig.	Serial no.	Part no.	Pieces	Notes
1		100 316 005	8	Lock nut M12
2		100 331 016	8	Flat washer M12
3		101 400 064	2	
4		100 306 043	4	Set screw M12 x 30 mm
5		101 400 202	2	
6		101 400 205	2	
7		101 200 081	2	U-clamp M12
9		107 300 765	2	
10		107 300 722	1	
11		100 413 042	2	Packing ring 1/4" BSP
12		100 420 030	2	Nipple 1/4" - 1/4" BSP
13		101 200 377	1	Hose assy. 1/4" x 1820 mm
14		107 300 571	1	Hose assy. 1/4" x 1480 mm
15		100 413 047	2	O-ring \varnothing 17.86 x 2.62 mm
16		100 420 042	2	B 5602-8-10
18		100 306 066	2	Set screw M20 x 60 mm
19		107 300 721	1	
20		100 316 007	2	Lock nut M20
21		100 333 008	2	Split pin \varnothing 8 x 40 mm
22		101 207 135	1	
24		100 323 208	1	Bolt M24 x 110 mm
25		100 316 010	1	Lock nut M24
26		100 316 061	2	Lock nut M30 x 2 mm
27		107 300 752	2	
28		100 421 000	1	Grease nipple M6
29		100 333 084	2	\varnothing 30/ \varnothing 25 x 20 mm
30		107 300 544	1	
31		100 381 018	2	Flat washer M28
32		101 207 136	1	
33		100 333 008	2	Split pin \varnothing 8 x 40 mm
34		100 316 010	1	Lock nut M24
35		100 323 209	1	Bolt M24 x 160 mm
37		100 421 000	1	Grease nipple M6
38		100 306 009	1	Bolt M6 x 60 mm
39		107 300 748	1	
40		100 316 002	1	Lock nut M6
41		107 300 565	1	
42		107 300 531	1	
43		100 316 007	8	Lock nut M20
44		101 400 197	2	
45		100 316 004	2	Lock nut M10
46		100 331 006	4	Flat washer M10
47		107 300 569	2	
49		100 306 034	2	Bolt M10 x 50 mm
50		102 200 018	2	
51		100 333 011	2	Hair pin \varnothing 4 mm
52		100 306 117	8	Steel bolt M20 x 90 mm
54		100 333 085	2	\varnothing 30/ \varnothing 25 x 35 mm
55		100 331 017	2	Flat washer M24
56		100 316 010	2	Lock nut M24
57		100 421 000	2	Grease nipple M6
58		100 333 011	1	Hair pin \varnothing 4 mm
59		107 300 573	1	
60		107 300 581	1	
62		100 316 007	4	Lock nut M20
63		100 323 210	2	Bolt M24 x 90 mm
64		100 333 084	2	\varnothing 30/ \varnothing 25 x 20 mm
65		100 306 066	4	Set screw M20 x 60 mm
66		107 300 539	2	
67		100 421 000	2	Grease nipple M6
68		100 333 086	2	\varnothing 45/ \varnothing 36 x 30 mm
69		100 331 017	2	Flat washer M24
70		100 333 007	2	Split pin \varnothing 5 x 45 mm
71		100 316 062	2	Slotted nut M24 x 2 mm
72		101 000 797	1	Repair kit for \varnothing 75 x 400 mm

CH 3000 & 4000

