

Reservedeliste

Spare parts list

Ersatzteilliste

Onderdelenlijst

Liste de pièce de rechange

Lista de Piezas

Parti di ricambio

ROTAVATOR / ROTALABOUR 500

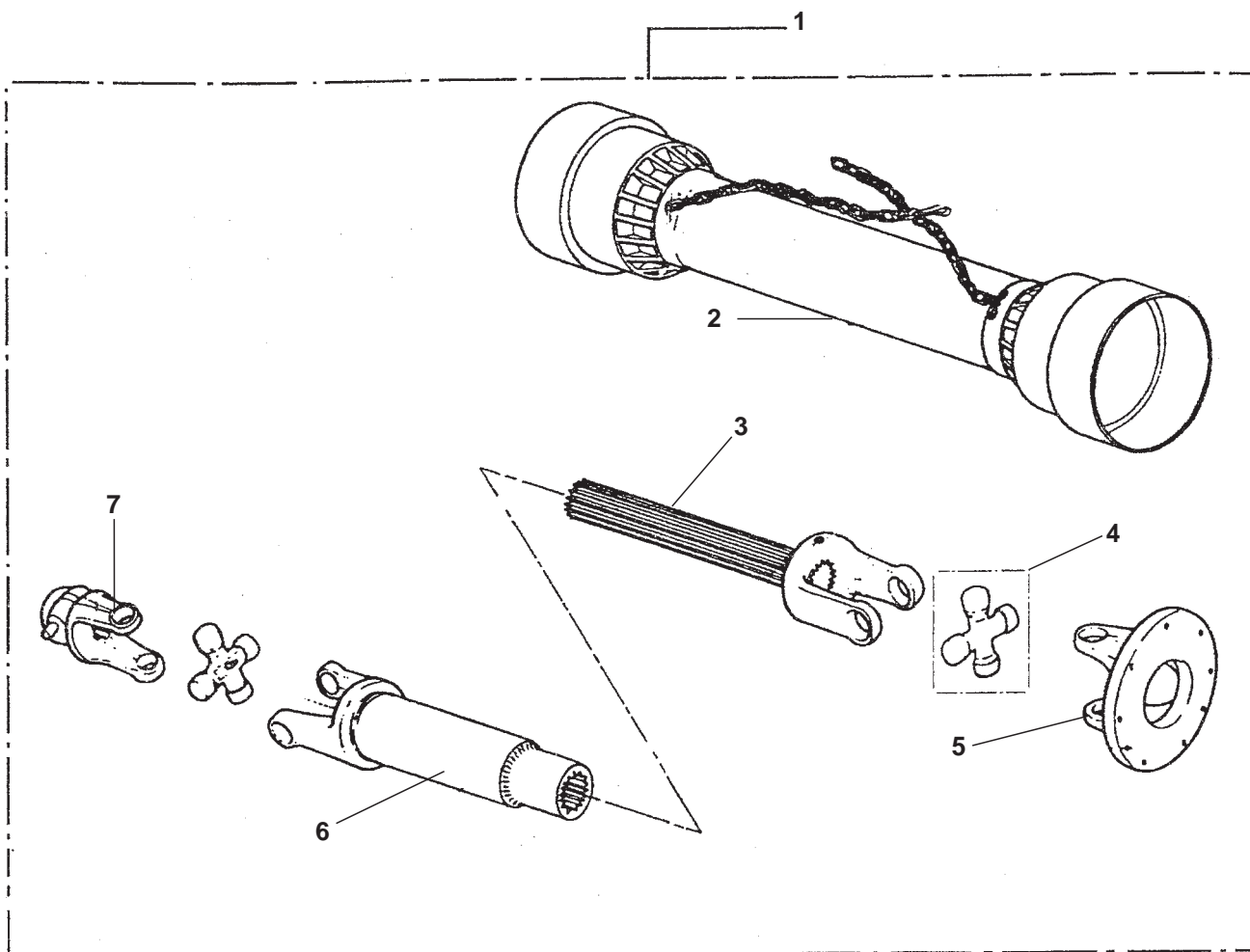
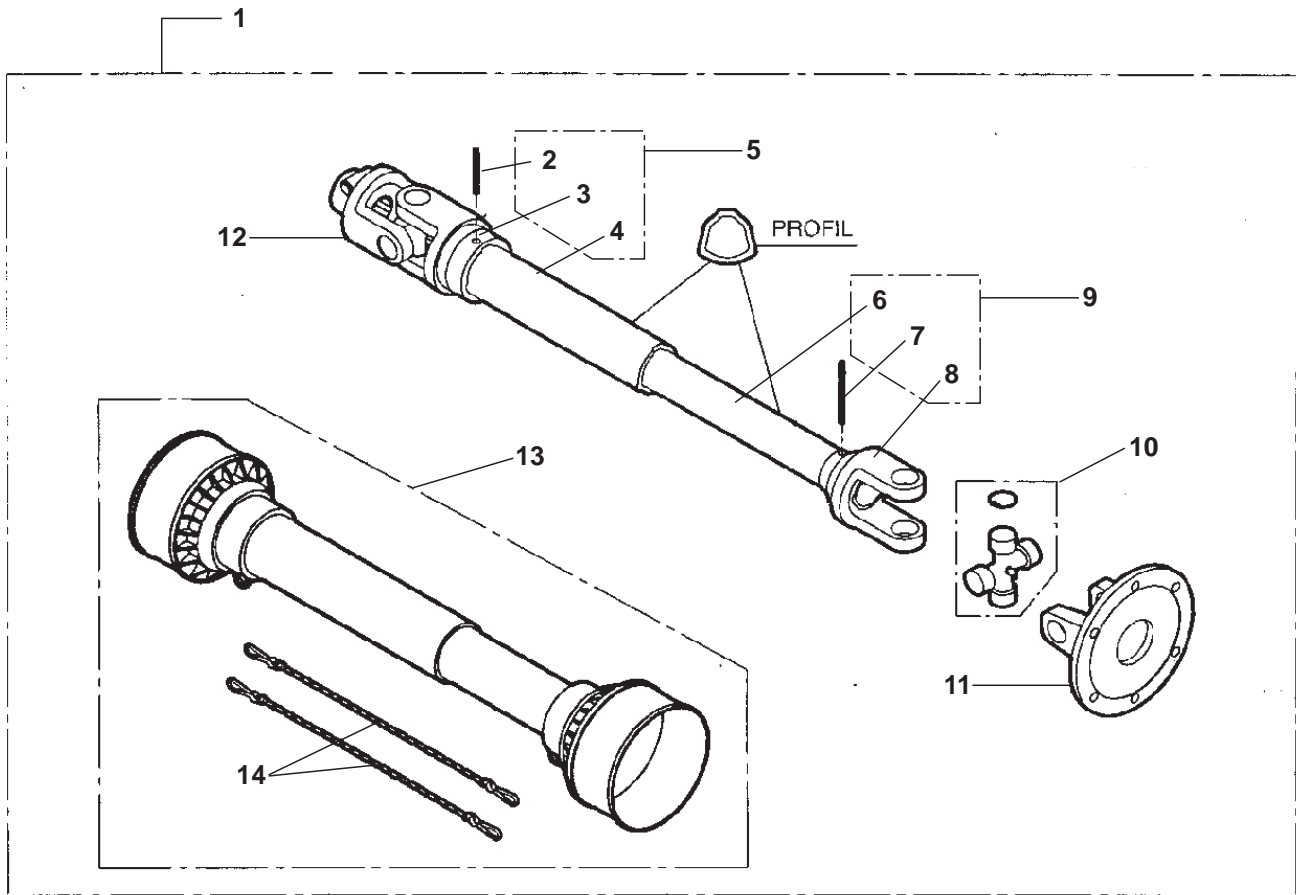
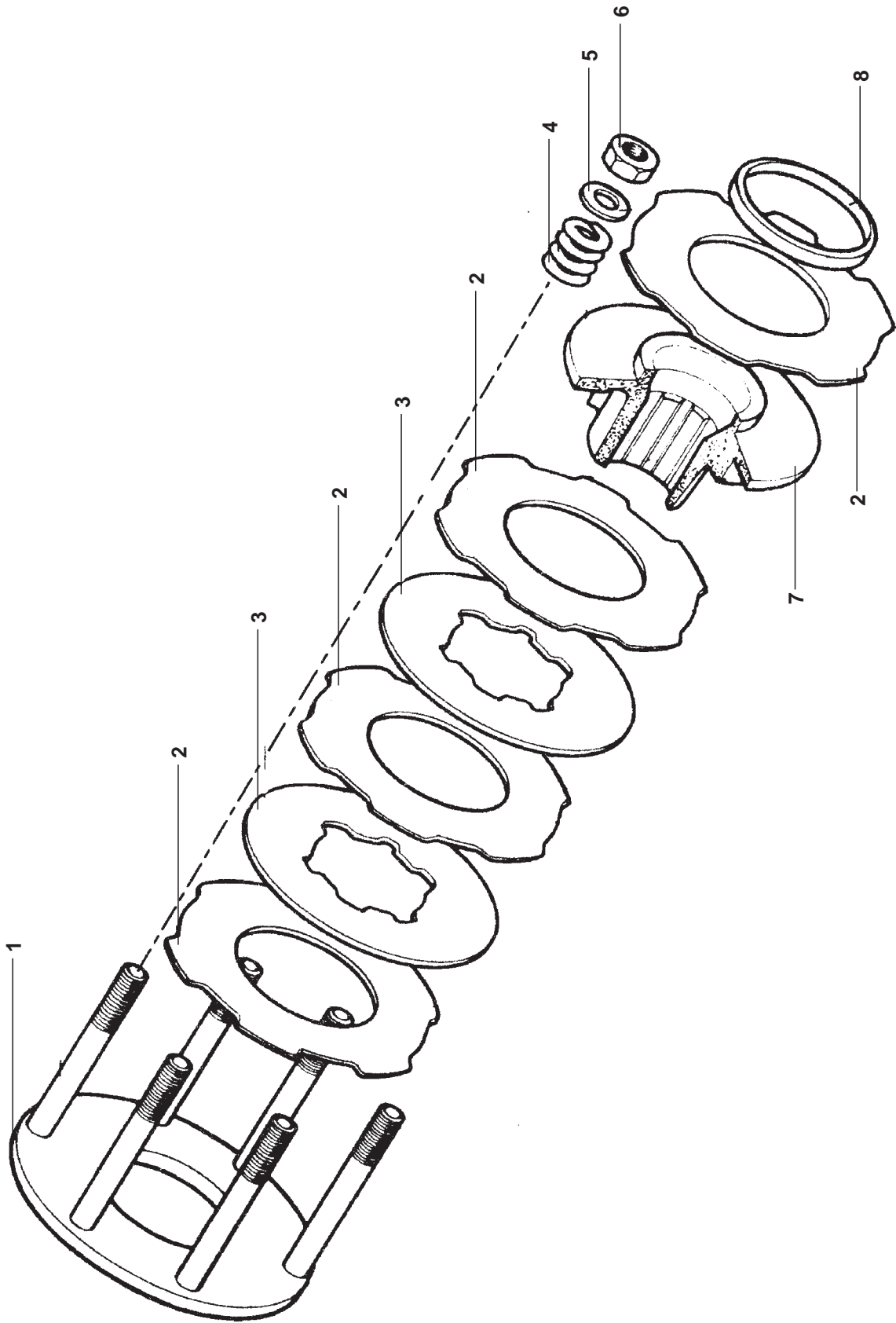
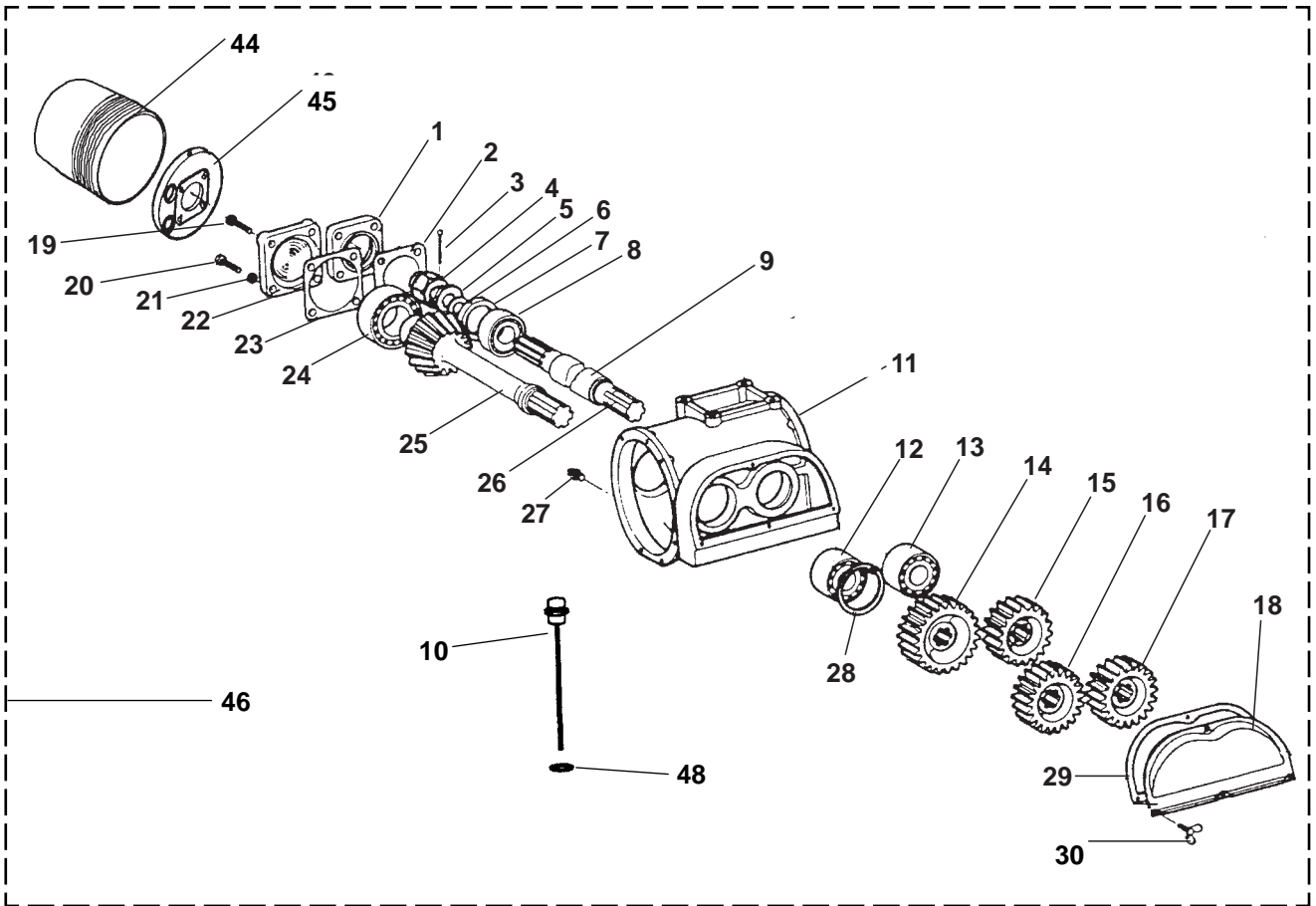


Fig.	Serial n°	Part n°	Pieces	Notes
BONDIOLI & PAVESI Typ 107				
1		204057103	1	Pto 1 3/8" - 6 110 - 215
1		204057104	1	Pto 1 3/8" - 21 110 - 215
2		208089370	1	
3		204051530	1	
4		204054777	1	
5		204052130	1	
6		204054170	1	
7		208089240	1	
8		204051540	1	
9		204052120	1	
10		204056913	1	35 x 94
11		204056915	1	
12		204051450	1	1 3/8" - 6
12		204051460	1	1 3/8" -21
13		204055280	1	
14		204055004	1	
BONDIOLI & PAVESI Typ 1C8				
1		204057098	1	230 - 305
1		204057099	1	230 - 305
2		208110040	1	
3		204051760	1	
4		204054620	1	
5		204052100	1	35 x 106,5
6		204054630	1	
7		208089890	1	
8		204051510	1	
9		204052110	1	
10		204056010	1	
11		204056915	1	
12		204051050	1	1 3/8" - 6
12		204051220	1	1 3/8" -21
13		204055240	1	
14		204055899	1	
BONDIOLI & PAVESI Typ 407				
1		74000069124	1	Pto 1 3/8" - 6 110 - 215
2		74000649349	1	
3		74000649350	1	
4		74000003275	1	30 x 106,5
5		74000650348	1	
6		74000649350	1	
7		204008120	1	
BONDIOLI & PAVESI Typ 408				
1		74000649515	1	1 3/8" - 6 230 - 305
2		74000649716	1	
3		74000649533	1	
4		204056010	1	35 x 106,5
5		204056987	1	
6		74000649534	1	
7		204051220	1	

ROTAVATOR / ROTALABOUR 500





REAR PTO KIT
 KIT ADAPTATION PTO ARRIERE
 DURCHTRIEB VOLLST
 ASSIEME PREZA DI FORZA POSTERIORE

653 456

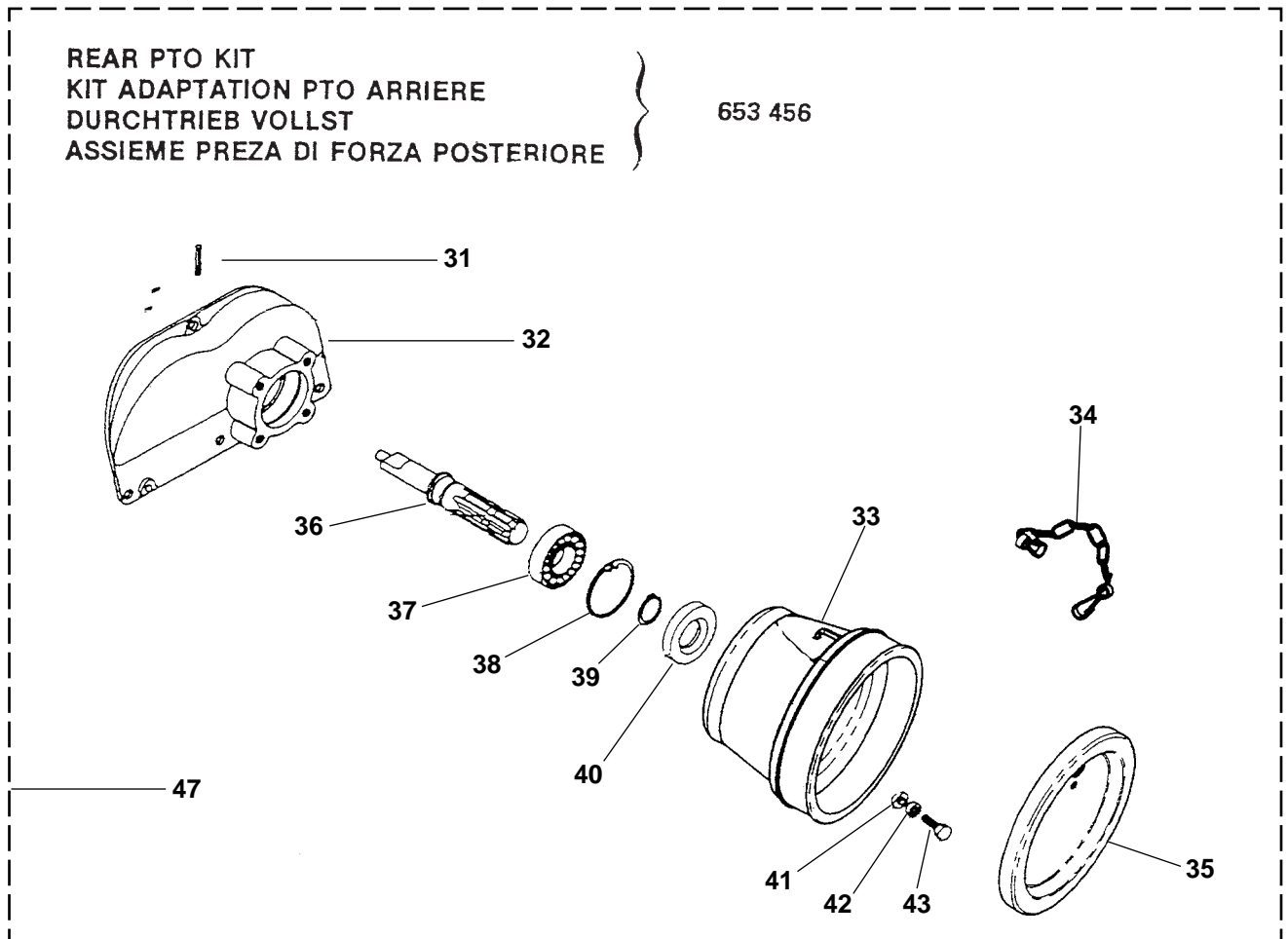


Fig.	Serial nº	Part nº	Pieces	Notes
1		71 000653360 R	1	
2		71 000650036	1	0,10
2		71 000650037	1	0,25
2		71 000650038	1	0,50
3		208 010 860	1	Pin
4		307 624 145	1	Self locking nut M24 x 1,5
5		71 000652847	1	
6		71 000652848	1	
7		267 555 102	1	Seal 75 x 55 x 10mm
8		254 852 251	1	Bearing #32209
9		71 000756504	1	
10		74 9668790 00	4	Plug 3/4"
11		71 000756905 R	1	
12		254 510 381	1	Bearing #32309
13		254 510 381	1	Bearing #32309
14		71 000653403	1	22Z Standard
14		71 000756488	1	25Z Optional
15		71 000653402	1	19Z Standard
15		71 000756485	1	16Z Optional
16		71 000756296	1	20Z Standard
16		71 000756295	1	18Z Optional
16		71 000756484	1	16Z Optional
17		71 000756297	1	21Z Standard
17		71 000756298	1	23Z Optional
17		71 000756489	1	27Z Optional
18		71 000756550 R	1	
19		301 214 350	6	Bolt M14 x 35mm
20		301 214 300	2	Bolt M14 x 30mm
21		308 140 040	4	Spring washer M14
22		71 000756807 R	1	
23		71 000756206	1	0,10mm
23		71 000756839	1	0,25mm
23		71 000756840	1	0,50mm
24		256 711 301	1	Bearing #3984 - 3920
25		71 000653486	1	
26		71 000653696	1	
27		203 031 180	1	Plug 3/8"
28		208 101 520	1	Seeger I-100
29		71 000756250	1	
30		301 210 250	4	Bolt M10 x 35mm
31		208 089 455	1	Pin
32		71 000653454 R	1	
33		74 9668824 00	1	
34		74 9668826 00	1	
35		74 9668825 00	1	
36		71 000651875	1	
37		253 572 171	1	Bearing #6207
38		208 101 410	1	Seeger I-72
39		208 102 280	1	Seeger E-35
40		267 235 123	1	Seal 72 x 35 x 12mm
41		308 110 015	4	Flat washer M10
42		308 100 045	4	Spring wasehr M10
43		301 410 255	4	Setscrew M10 x 25mm
44		74 9668292 00	1	
45		74 9668294 00	1	
46		71 000653351	1	Rotavator Gearbox
46		71 000653457	1	Rotalabour Gearbox
47		71 000653456	1	
48		71 202029600	1	Metal Rubber washer

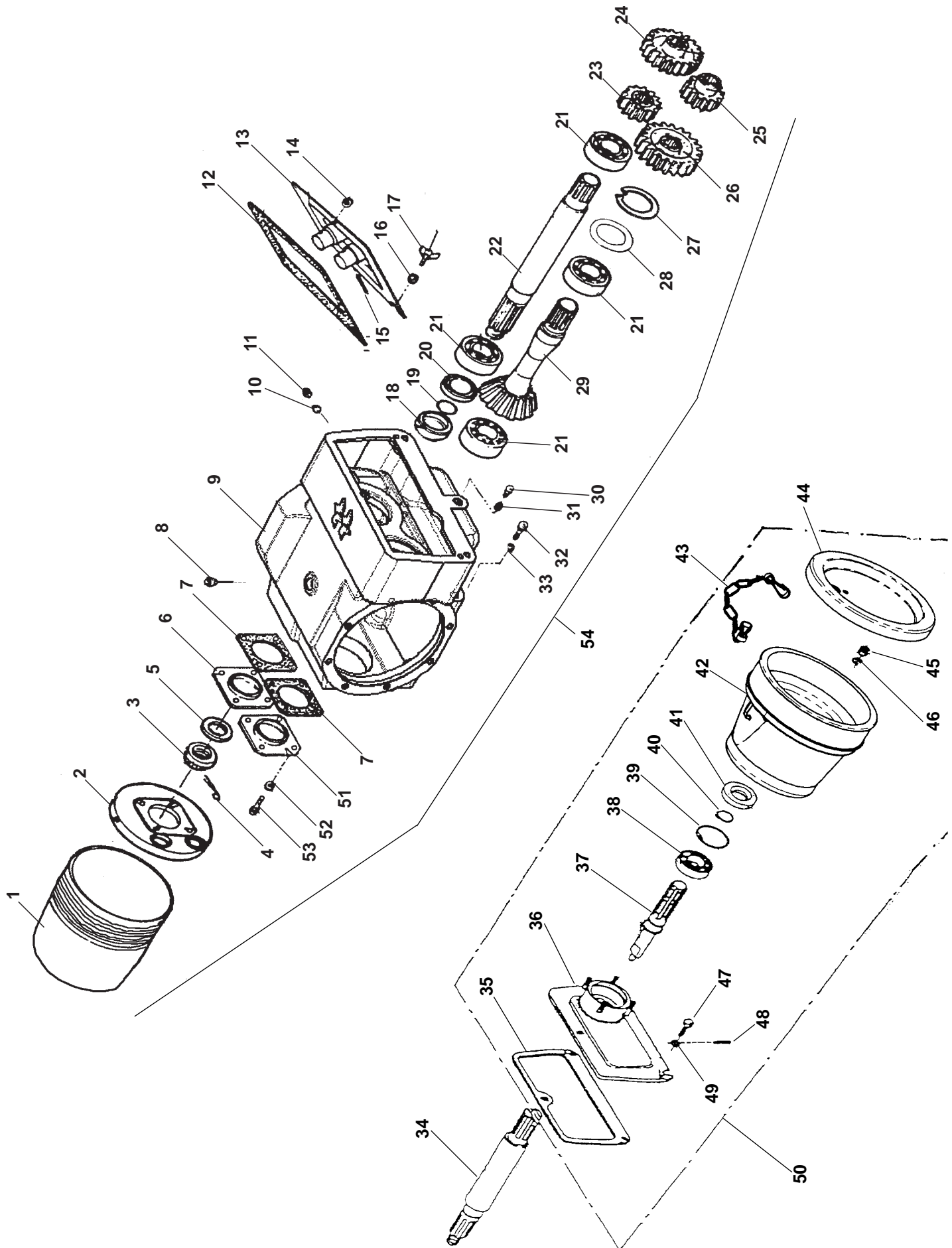
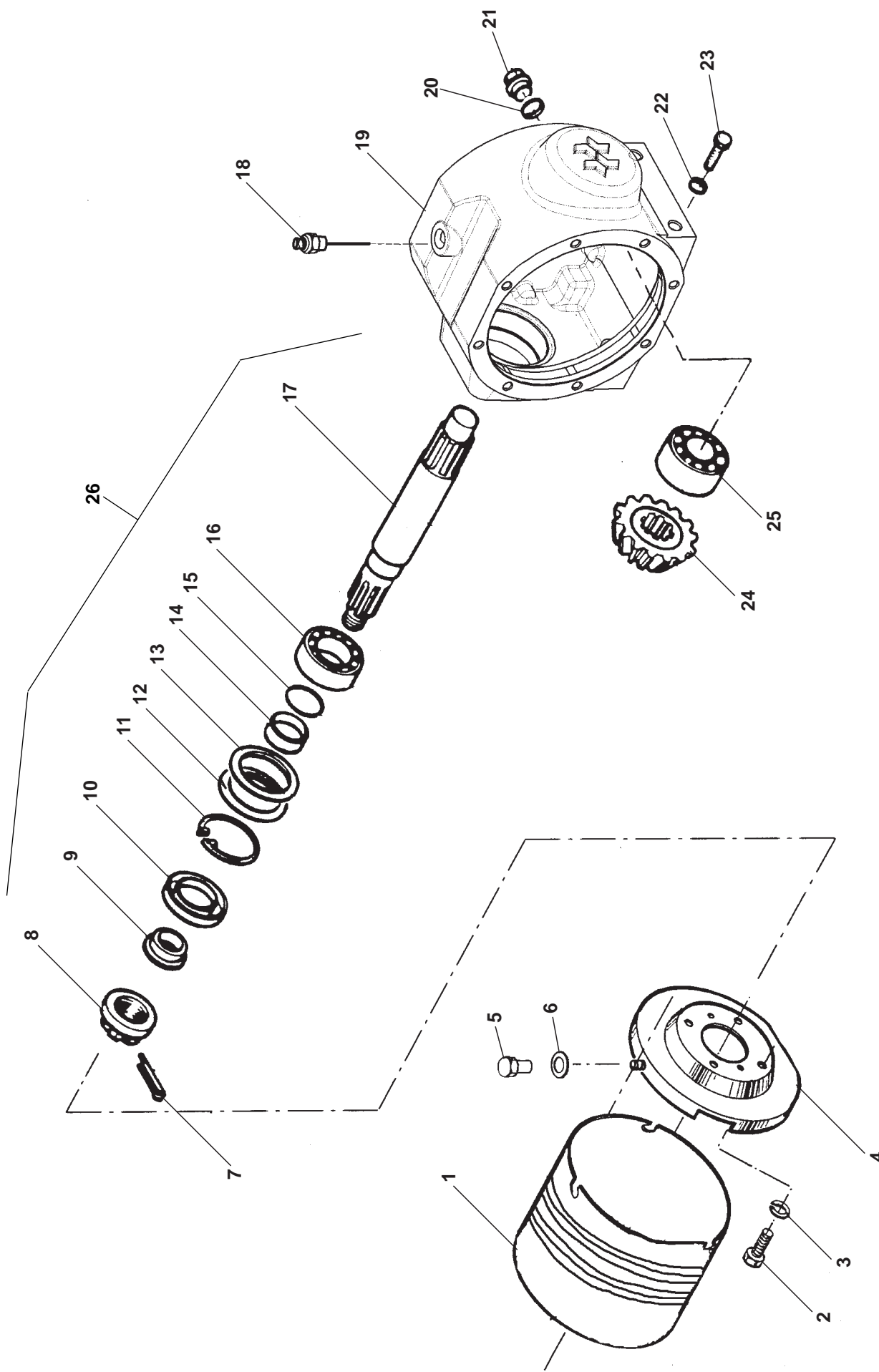


Fig.	Serial nº	Part nº	Pieces	Notes
1		74 9668292 00	1	
2		74 9668294 00	1	
3		307 624 145	1	Self locking nut M24 x 1,5mm Pin
4		208 010 860	1	
5		71 000652847	1	
6		71 000651323 R	1	
7		71 000651325	1	0,1 mm
7		71 000651326	1	0,2 mm
8		74 000649854 R	1	
9		74 966826500	1	
10		202029470	1	Washer
11		203031230	1	Plug 1/4"
12		71000651338	1	
13		71 000651337 R	1	
14		308100045	1	Spring washer M10
15		208012660	1	Elastic Pin
16		209019230	3	Washer contact
17		301210200	3	Bolt M10 x 20mm
18		71000624073	1	
19		202070480	1	O'ring 38 x 2mm
20		267250083	1	Seal 72 x 50 x 8mm
21		254090252	4	Bearing #30308
22		71 000653693	1	
23		71 000651330	1	Z16 Standard
24		71 000651331	1	Z17 Standard
24		71 000651329	1	Z15 Optional
24		71 000651328	1	Z14 Optional
24		71 000651327	1	Z13 Optional
25		71 000651332	1	Z18 Standard
25		71 000651334	1	Z20 Optional
25		71 000651335	1	Z21 Optional
25		71 000651336	1	Z22 Optional
26		71 000651333	1	Z19 Standard
27		208001330	1	Seeger I-90
28		203038400	1	0,3mm
28		203038410	1	0,5mm
29		71 000651321	1	
30		2030.31660	1	Plug M14
31		202029470	1	Metalic ring
32		301214400	5	Set screw M14 x 40mm
33		209019240	5	Washer contact
34		71 000653694	1	
35		71 000651338	1	
36		71 000651340 R	1	
37		71 000651875	1	
38		253572171	1	Bearing #6207
39		208001310	1	Seeger I-72
40		208002380	1	Seeger E-35
41		267235123	1	Seal 72 x 35 x 12mm
42		74 9668824 00	1	
43		74 9668826 00	1	
44		74 9668825 00	1	
45		307210050	4	Self locking nut M10
46		308100025	4	Flat washer dia. 10
47		301210305	3	Bolt M10 x 30mm
48		208012660	1	Pin
49		209019230	3	Flat washer
50		71 000651339	1	
51		71 000651324 R	1	
52		308100045	8	Spring washer M10
53		301410255	8	Set screw M10 x 25mm
54		74 9669267 00	#	Rotavator Gearbox
54		74 9669264 01	#	Rotalabour Gearbox



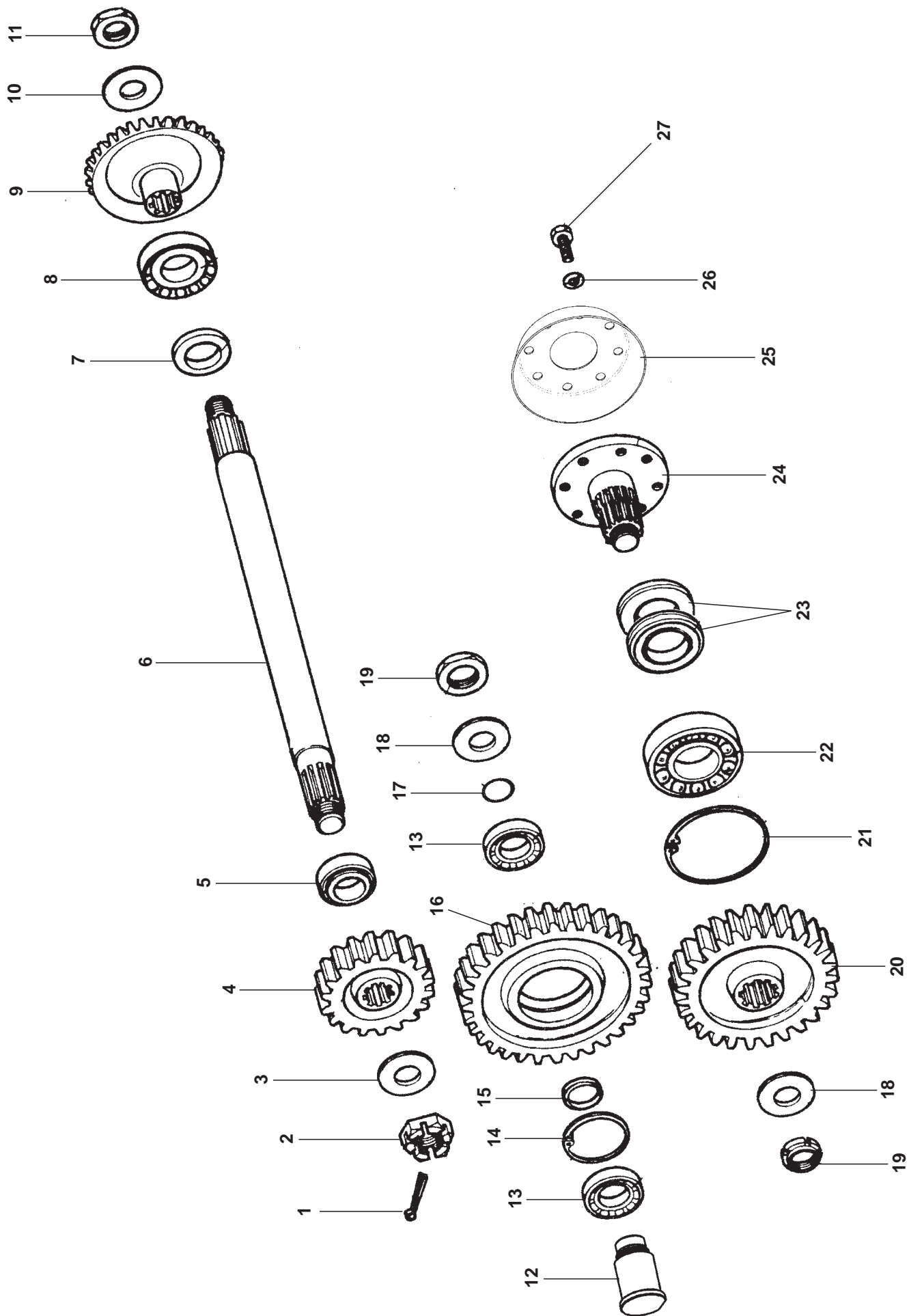


Fig.	Serial nº	Part nº	Pieces	Notes
1		208 012 630	1	Elastic Pin 5 x 60mm
2		74 000640648	1	
3		74 000667443	1	Belleville B-80
4		74 000640130	1	
5		255 011 291	1	Bearing #30310
6		74 9668266 11	1	110M
6		74 9668266 12	1	120M
6		74 9668266 31	1	130S
6		74 9668266 13	1	130M/155S
6		74 9668266 61	1	165S
6		74 9668266 15	1	155M/180S
6		74 9668266 16	1	165M/190S
6		74 9668266 18	1	180M/205S
6		74 9668266 19	1	190M/215S
6		74 9668266 20	1	205M/230S
6		74 9668266 21	1	215M
6		74 9668266 23	1	230M/255S
6		74 9668266 25	1	255M
6		74 9668301 28	1	280S
6		74 9668301 31	1	305S
7		268 060 121	1	Seal 80 x 60 x 12mm
8		256 011 241	1	Bearing #30212
9		71 000651347	1	Z 24
10		308 370 050	1	Extrenal tab washer DIN 432 dia. 37mm
11		307 136 020	1	Self locking nut M36
12		74 9668330 00	1	
13		256 011 227	2	Bearing #NJ212
14		208 001 520	1	Seeger I-110
15		74 9668278 00	1	
16		74 9668288 00	1	
17		202 023 410	1	O'ring
18		203 026 180	1	Belleville Washer
19		74 000056801	2	
20		74 000640132	1	
21		208 101 610	1	Seeger I-130
22		256 013 311	1	Bearing #6312
23		202 078 074	1	Face seal
24		74 9668271 00 R	1	
25		74 9668276 00 R	1	
26		308 140 045	8	Spring washer
27		74 9668353 00	8	
28		74 000649558	1	Belleville B-80

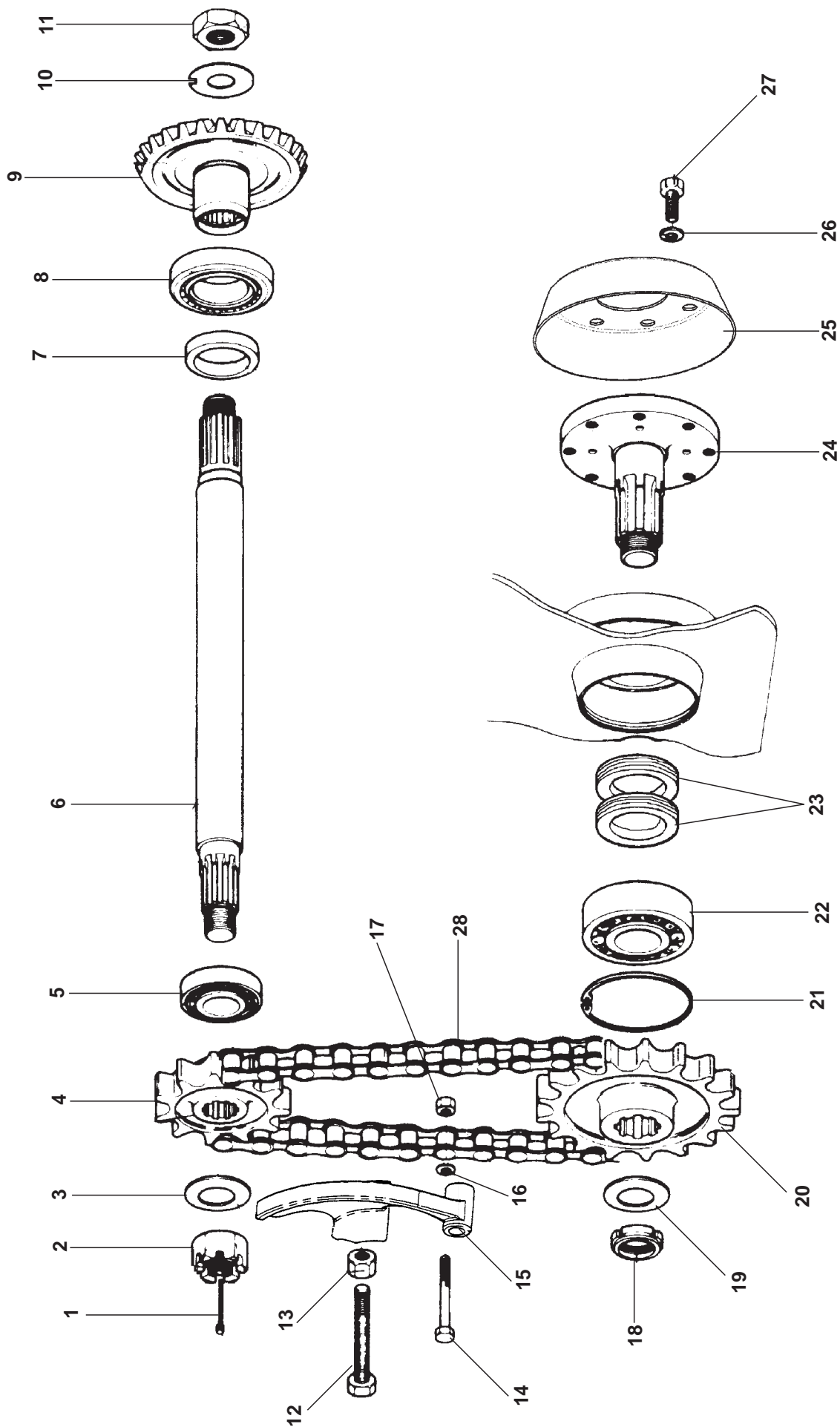
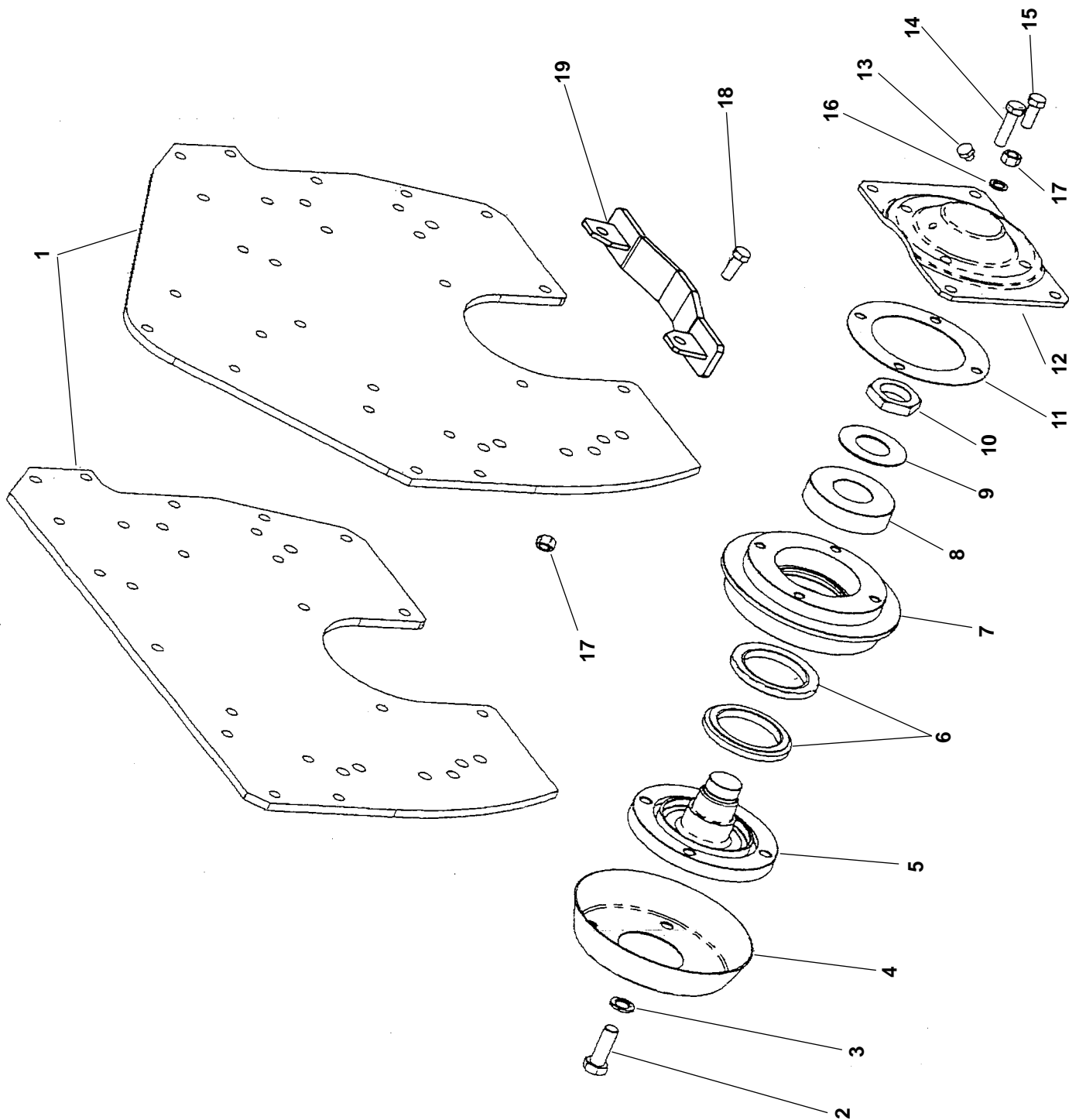
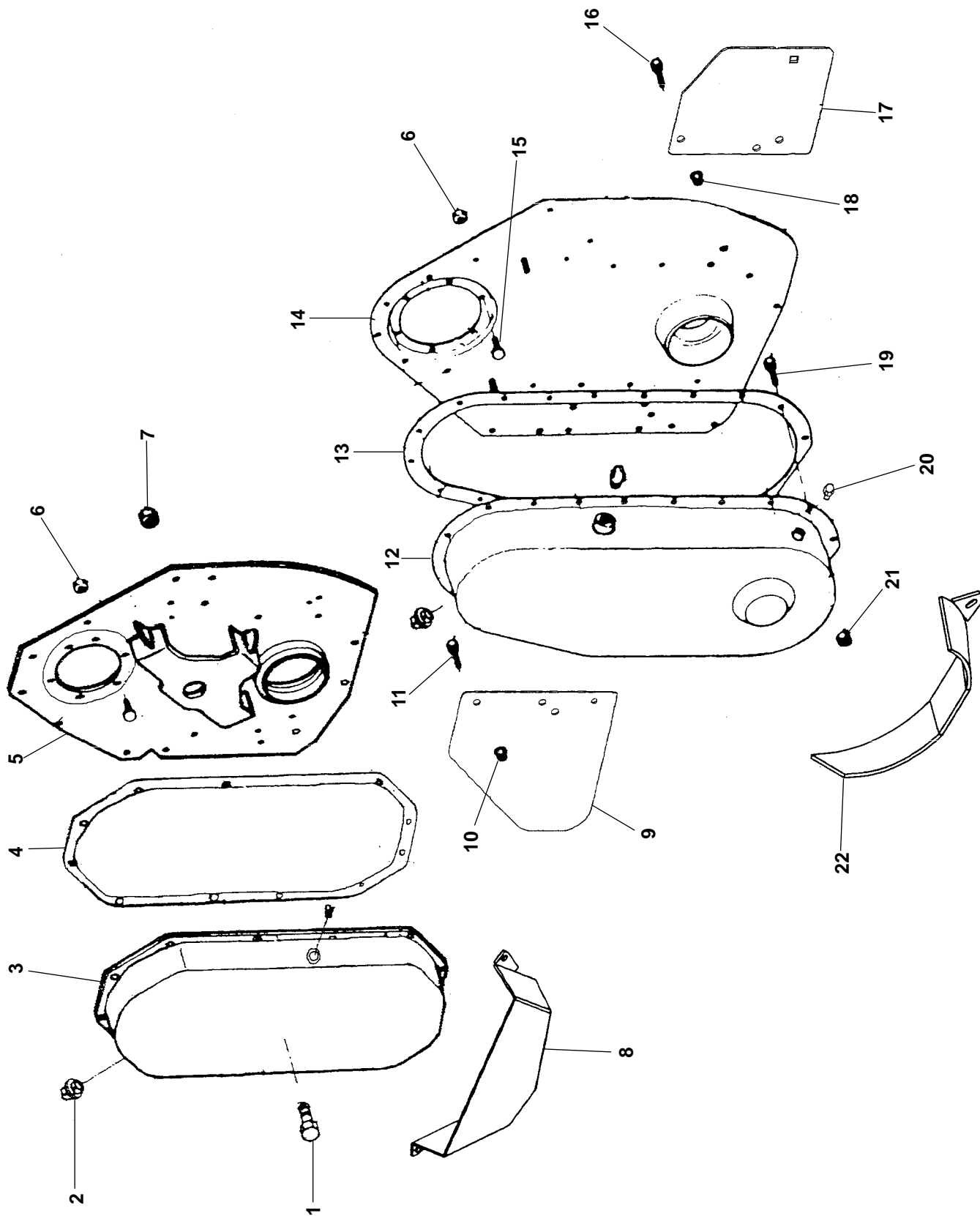


Fig.	Serial nº	Part nº	Pieces	Notes
1		208 012 630	1	Elastic Pin 5 x 60mm
2		74 000640648	1	
3		74 000667443	1	Belleville B-80
4		74 000065584	1	
5		255 011 291	1	Bearing #30310
6		74 9668266 11	1	110M
6		74 9668266 12	1	120M
6		74 9668266 31	1	130M
6		74 9668266 13	1	130M / 155S
6		74 9668266 61	1	165S
6		74 9668266 15	1	155M / 180S
6		74 9668266 16	1	165M / 190S
6		74 9668266 18	1	180M / 205S
6		74 9668266 19	1	190M / 215S
6		74 9668266 20	1	205M / 230S
6		74 9668266 21	1	215M
6		74 9668266 23	1	230M / 255S
6		74 9668266 25	1	255M
6		74 9668301 28	1	280S
6		74 9668301 31	1	305S
7		268 060 121	1	Seal 80 x 60 x 12mm
8		256 011 241	1	Bearing #30212
9		71 000651347	1	Z24
10		308 370 050	1	External tab washer DIN432 dia. 37mm
11		307 136 020	1	Hex. lock nut DIN936 M36 x 1mm
12		301 816 115	1	Set screw M16 x 110mm
13		307 216 015	1	Self locking nut M16
14		301 212 755	1	Bolt M12 x 75mm
15		74 000640054	1	
16		308 120 025	1	Flat washer M12
17		307 212 015	1	Self locking nut M12
18		74 000056801	1	
19		74 000649558	1	Belleville B-80
20		74 000065671	1	
21		208 101 610	1	Seeger I-130
22		256 013 311	1	Bearing #6312
23		202 078 074	1	Face seal
24		74 9668271 00 R	1	
25		74 9668276 00 R	1	
26		308 140 045	8	Spring washer M14
27		74 9668353 00	8	
28		74 000640040	1	110 - 165
28		74 000665315	1	180 - 255
28		74 000640042	1	280 - 305

ROTAVATOR 500 / ROTALABOUR 500



ROTAVATOR 500 / ROTALABOUR 500



ROTAVATOR 500 / ROTALABOUR 500

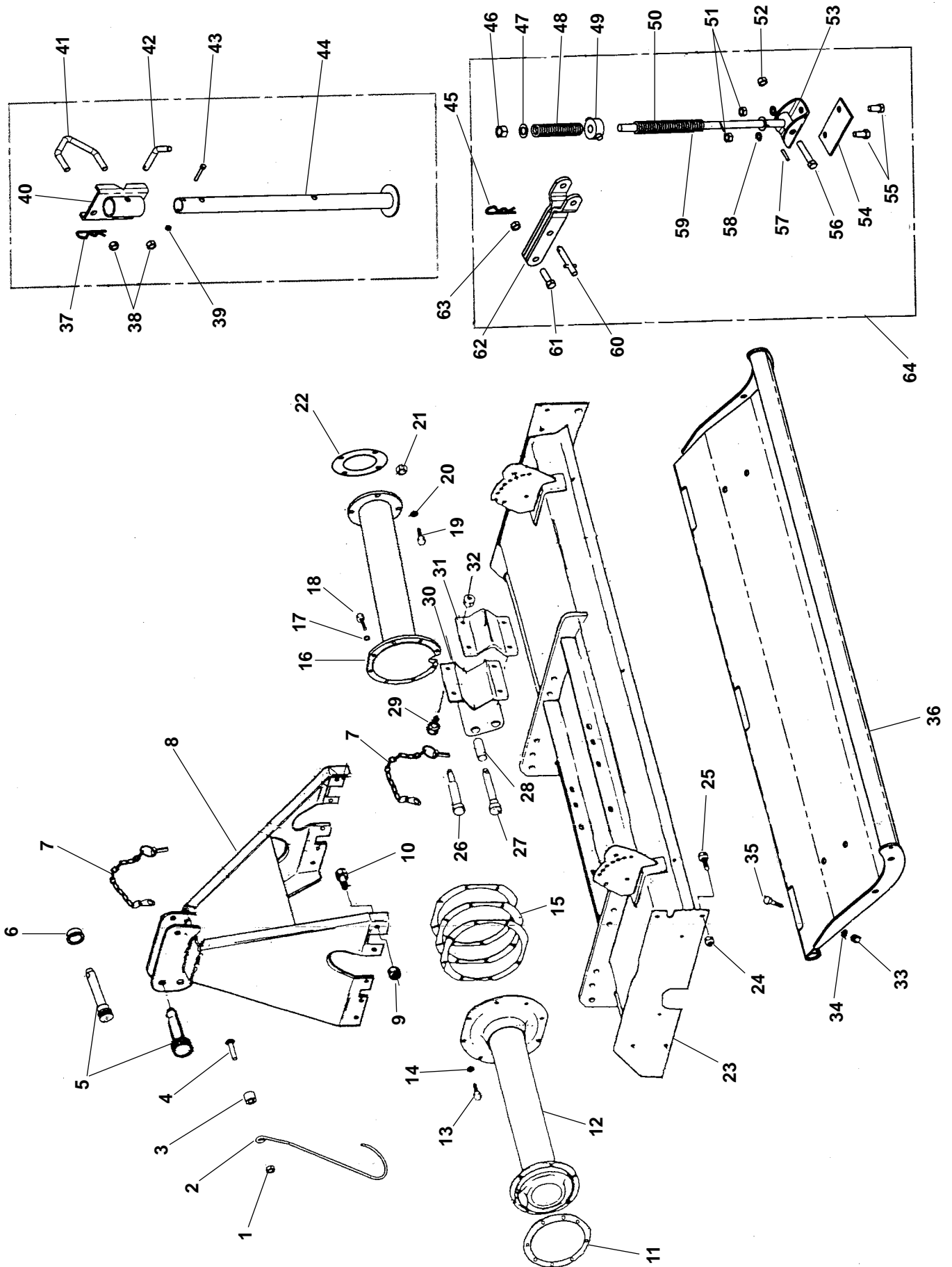
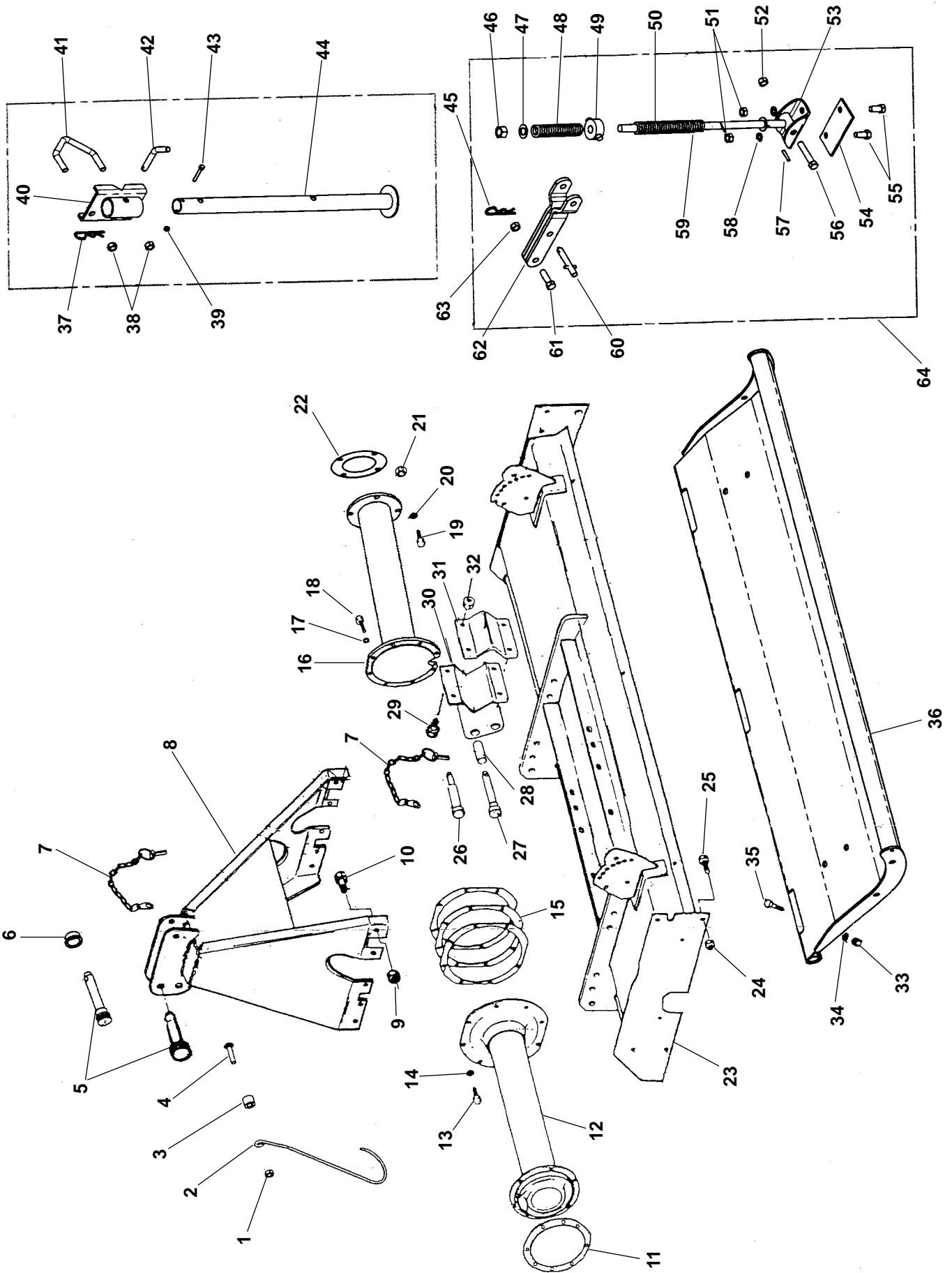
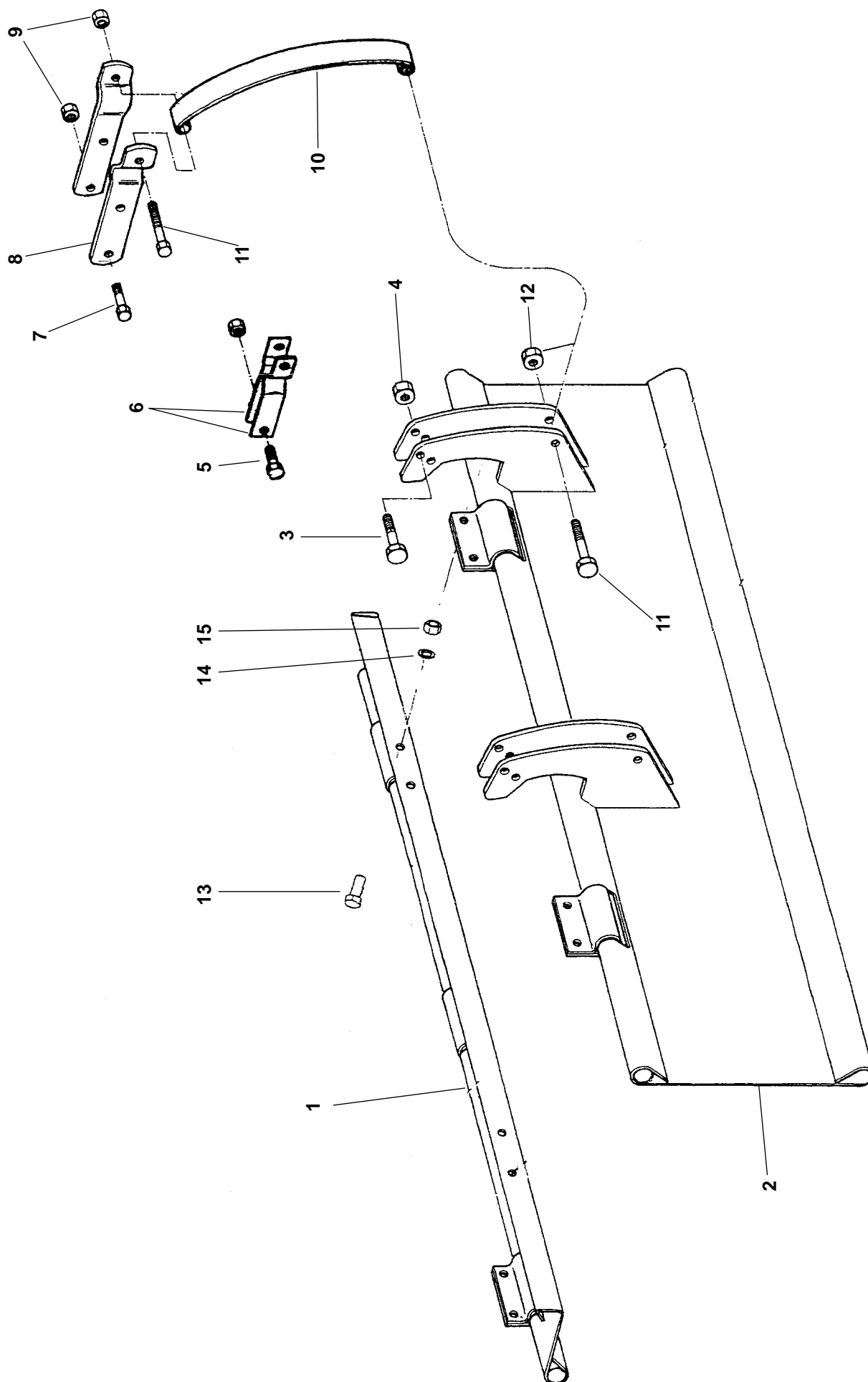


Fig.	Serial nº	Part nº	Pieces	Notes
1		307 212 050	1	Self locking nut M12
2		74 9668750 00	1	
3		74 9668751 00	1	
4		301 212 555	1	Bolt M12 x 55mm
5		74 9668747 00	1	Cat 1
5		71 000653321	1	Cat 2
6		74 9668749 00	1	
7		7 49668875 00	2	
8		74 9668551 00 R	1	
8		74 9668338 00 R	1	
9		307 216 050	10	Self locking nut M16
10		301 116 600	10	Bolt M16 x 60mm
11		74 000065967	1	
12		74 9668268 11 R	1	110M
12		74 9668268 12 R	1	120M
12		74 9668268 31 R	1	130S
12		74 9668268 13 R	1	130M/155S
12		74 9668268 61 R	1	165S
12		74 9668268 15 R	1	155M/180S
12		74 9668268 16 R	1	165M/190S
12		74 9668268 18 R	1	180M/205S
12		74 9668268 19 R	1	190M/215S
12		74 9668268 20 R	1	205M/230S
12		74 9668268 21 R	1	215M
12		74 9668268 23 R	1	230M/255S
12		74 9668268 25 R	1	255M
12		74 9668300 28 R	1	280S
12		74 9668300 31 R	1	305S
13		301 210 255	8	Bolt M10 x 25mm
14		308 100 045	8	Spring washer M10
15		71 000624052	3	
16		74 9668282 18 R	1	180 op.
16		74 9668282 19 R	1	190 op.
16		74 9668282 20 R	1	205 op.
16		74 9668282 21 R	1	215 op.
16		74 9668282 23 R	1	230 op.
16		74 9668282 25 R	1	255 op.
16		74 9668302 28 R	1	280 op.
16		74 9668302 31 R	1	305 op.
17		308 100 045	8	Spring washer M10
18		301 210 255	8	Bolt M10 x 25mm
19		301 212 355	4	Bolt M12 x 35mm
20		308 100 045	4	Spring washer M10
21		307 210 050	4	Self locking nut M10
22		74 9668785 00	1	
23		74 9668500 11 R	1	110
23		74 9668500 12 R	1	120
23		74 9668500 13 R	1	130
23		74 9668500 14 R	1	155
23		74 9668500 16 R	1	165
23		74 9668500 18 R	1	180
23		74 9668500 19 R	1	190
23		74 9668500 20 R	1	205
23		74 9668500 21 R	1	215
23		74 9668500 23 R	1	230
23		74 9668501 25 R	1	255
23		74 9668501 29 R	1	290
23		74 9668501 31 R	1	305
24		307 212 050	8	Self locking nut M12
25		301 212 255	8	Bolt M12 x 25mm
26		71 000624503	2	Cat 2
27		71 000650273	2	Cat 1
28		71 000650298	2	
29		301 116 500	8	Bolt M16 x 50mm
30		74 9668530 00 R	2	
31		74 9668533 00 R	2	
32		307 216 050	8	Self locking nut M16
33		307 212 015	#	Nut M12
34		308 120 045	#	Spring washer M12
35		301 212 355	#	Bolt M12 x 35mm
36		74 9668557 11 R	1	110
36		74 9668557 12 R	1	120
36		74 9668557 13 R	1	130/255 (#2)
36		74 9668557 15 R	1	155/305 (#2)
36		74 9668557 16 R	1	165

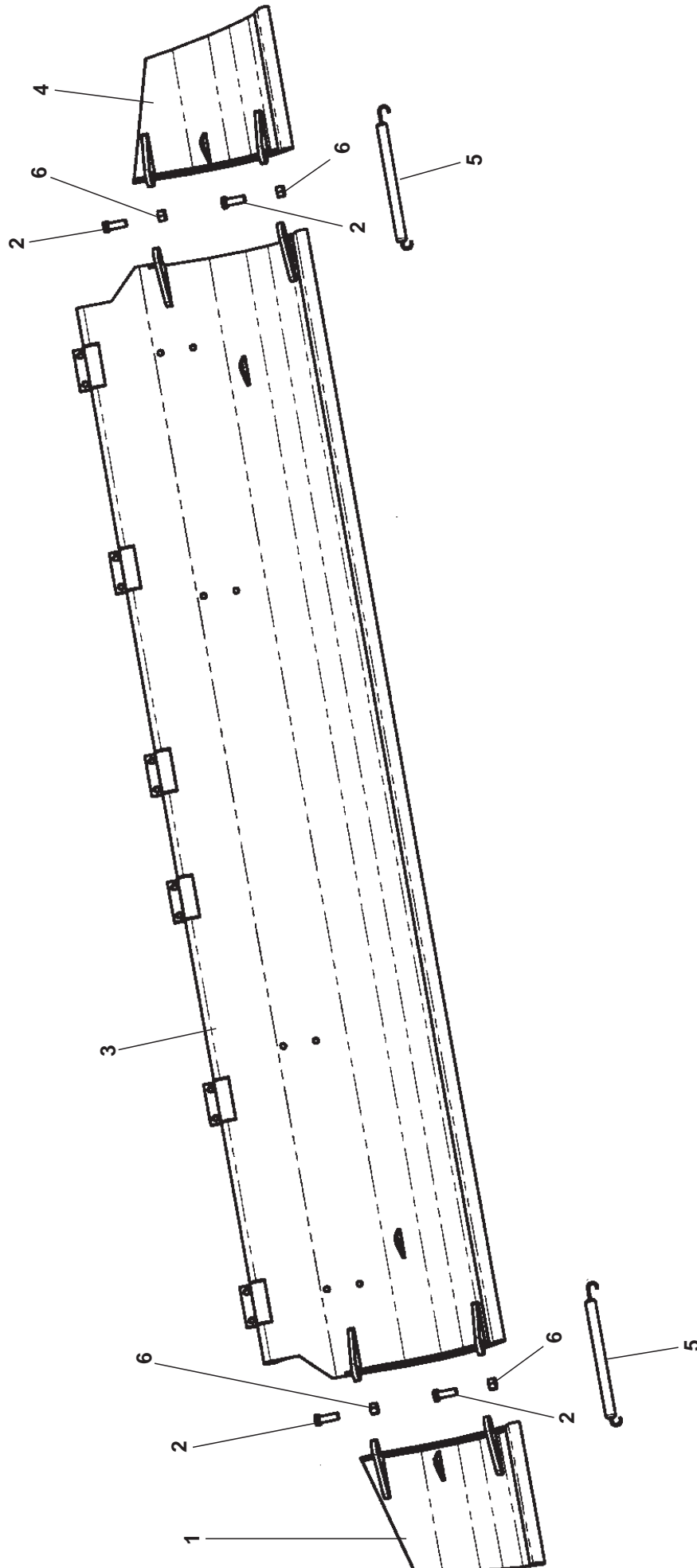
ROTAVATOR 500 / ROTALABOUR 500



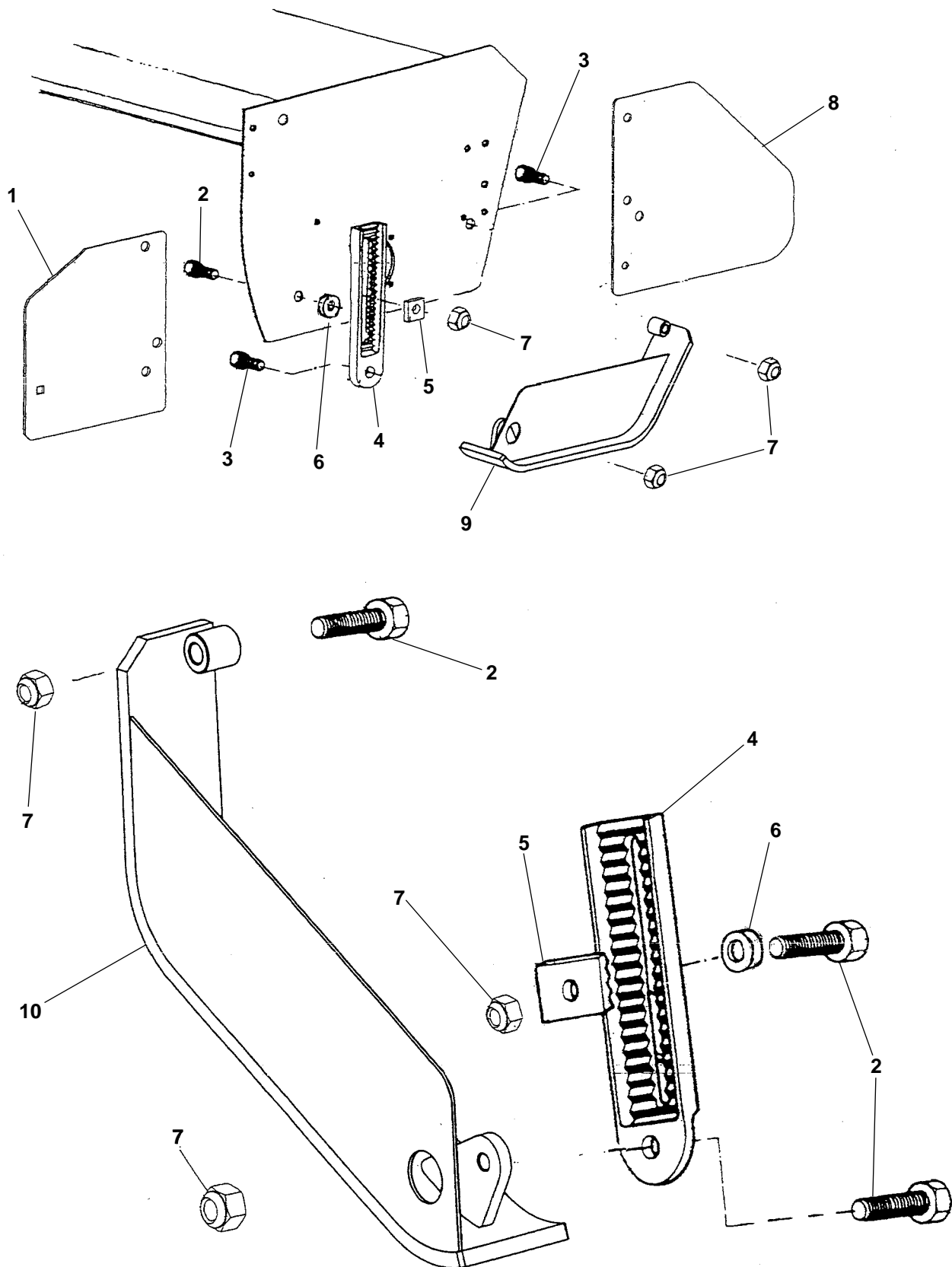
ROTAVATOR 500 / ROTALABOUR 500



ROTAVATOR / ROTALABOUR 500



ROTAVATOR 500 / ROTALABOUR 500



ROTAVATOR / ROTALABOUR 500

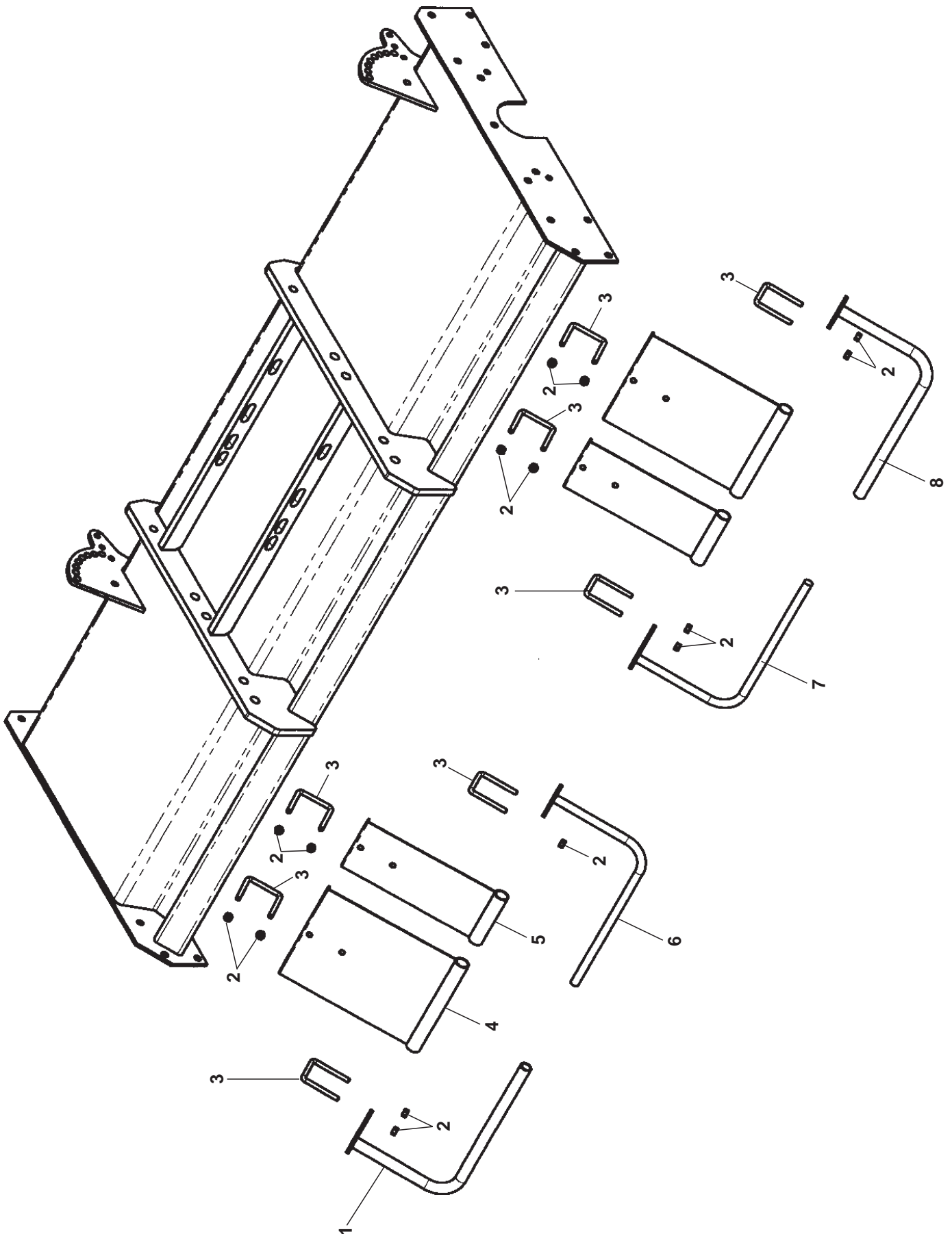


Fig.	Serial nº	Part nº	Pieces	Notes
1		74 9668308 03	1	110-165
1		74 9668308 01	1	165-215 ▶
1		74 9668308 02	1	230-305 ▶
2		307 208 045	#	Self locking nut M8
3		71 0001055 05	#	
4		74 9668312 02	0	130
4		74 9668312 02	2	155
4		74 9668312 02	2	165
4		74 9668312 02	2	180
4		74 9668312 02	2	190
4		74 9668312 02	0	205
4		74 9668312 02	4	215
4		74 9668312 02	2	230
4		74 9668312 02	4	255
4		74 9668312 02	4	280
4		74 9668312 02	4	305
5		74 9668312 01	2	130
5		74 9668312 01	0	155
5		74 9668312 01	0	165
5		74 9668312 01	0	180
5		74 9668312 01	2	190
5		74 9668312 01	4	205
5		74 9668312 01	0	215
5		74 9668312 01	4	230
5		74 9668312 01	2	255
5		74 9668312 01	2	280
5		74 9668312 01	4	305
6		74 9668309 01	1	165-215 ▶
6		74 9668309 02	1	230-305 ▶
7		74 9668307 01	1	165-215 ◀
7		74 9668307 02	1	230-305 ▶
8		74 9668305 03	1	110-155
8		74 9668305 01	1	165-215 ◀
8		74 9668305 02	1	230-305 ◀

ROTAVATOR / ROTALABOUR 500

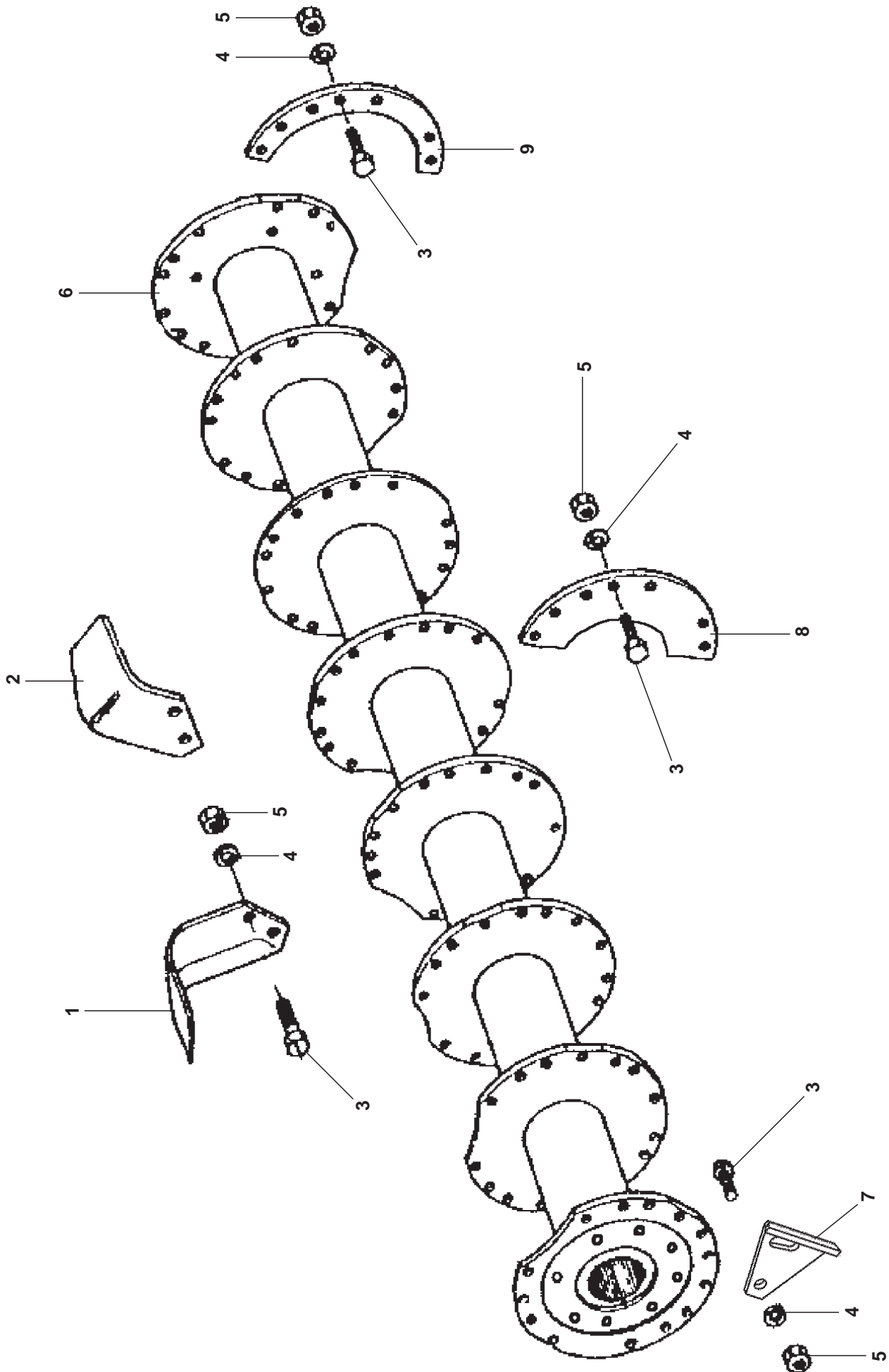
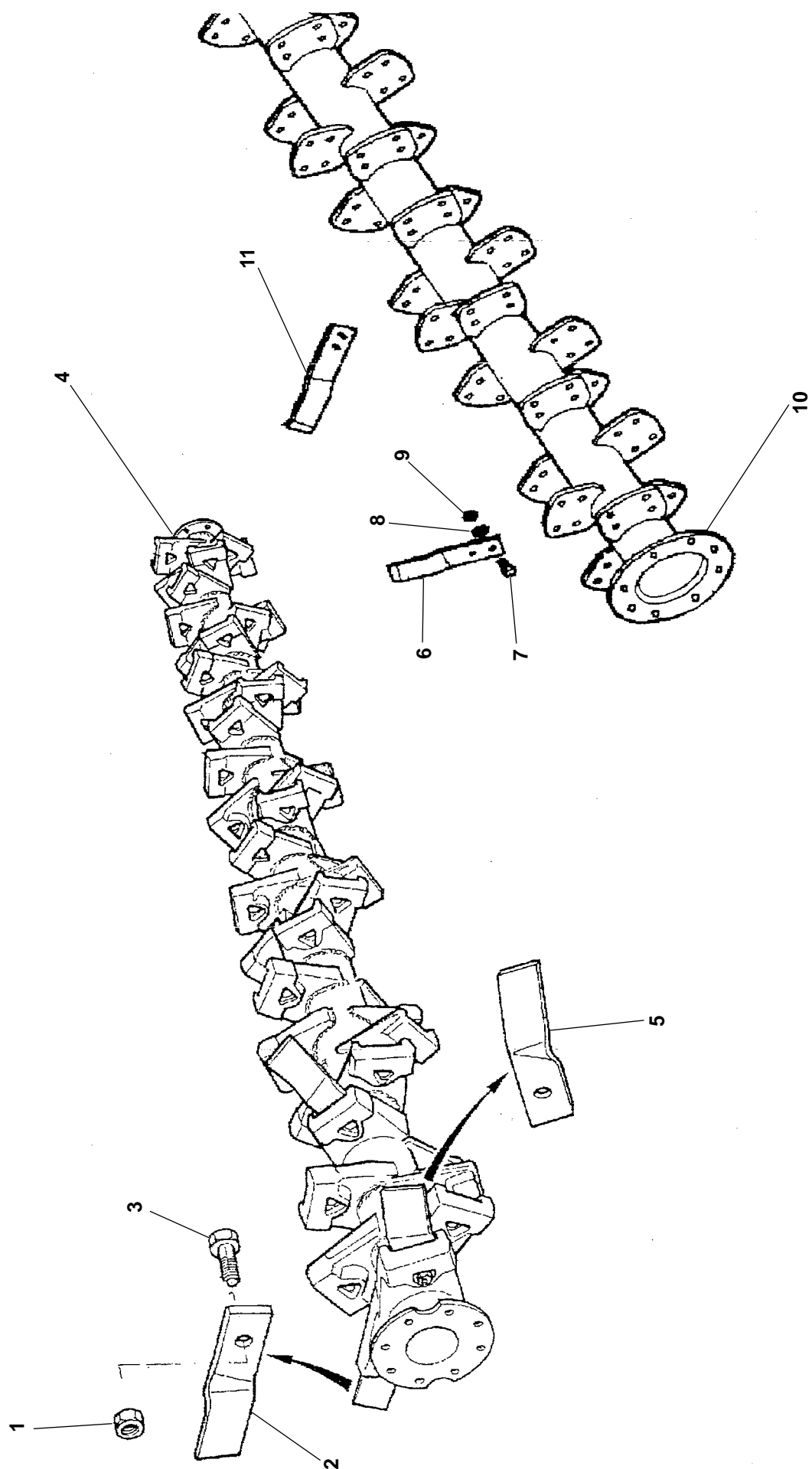
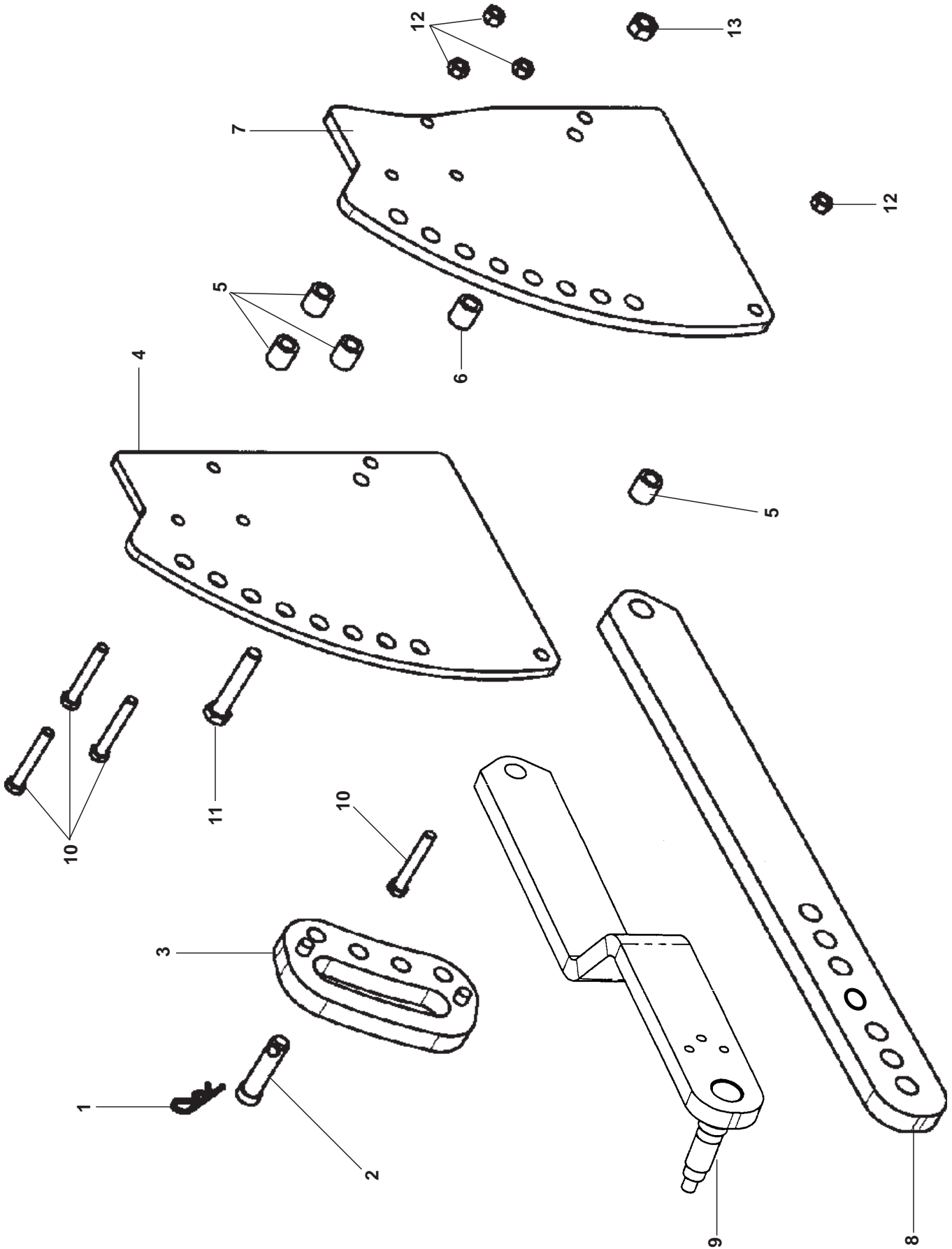


Fig.	Serial nº	Part nº	Pieces	Notes
1		73 000103900 V	#	E ◀
1		73 000009948 V	#	E speed ◀
1		73 000009862 V	#	S ◀
2		73 000103901 V	#	E ▶
2		73 000009949 V	#	E speed ▶
2		73 000009863 V	#	S ▶
3		74 000009844	#	E Bolt 1/2" x 40mm
3		71 000652232	#	S Bolt M16 x 55mm
3		74 966879800	#	E Bolt 1/2" x 55mm
4		108 081 440	#	E Spring washer 1/2"
4		108 101 740	#	S Spring washer M16
5		74 000052053	#	E Special nut 1/2"
5		208 056 470	#	S Nut M16 x 1,5mm
6		74 9668668 00 R	1	E 110
6		74 9668669 00 R	1	E 120
6		71 000650342 R	1	E 130
6		71 000650318 R	1	E 155
6		74 9668662 00 R	1	E 165
6		71 000651807 R	1	E 180
6		74 9668663 00 R	1	E 190
6		71 000650270 R	1	E 205
6		74 9668664 00 R	1	E 215
6		71 000650233 R	1	E 230
6		71 000330406 R	1	E 255
6		74 9668665 00 R	1	E 280
6		71 000107295 R	1	E 305
6		74 9668633 00 R	1	S 180
6		74 9668634 00 R	1	S 190
6		74 9668635 00 R	1	S 205
6		74 9668636 00 R	1	S 215
6		74 9668637 00 R	1	S 230
6		74 9668638 00 R	1	S 255
6		74 9668639 00 R	1	S 280
6		74 9668640 00 R	1	S 305
7		74 000667533	2	E
7		74 9669155 00	2	S
8		74 9668666 00 R	#	S
8		74 9668788 00 R	#	E
9		74 9668667 00 R	4	S
9		74 9668788 01 R	4	E

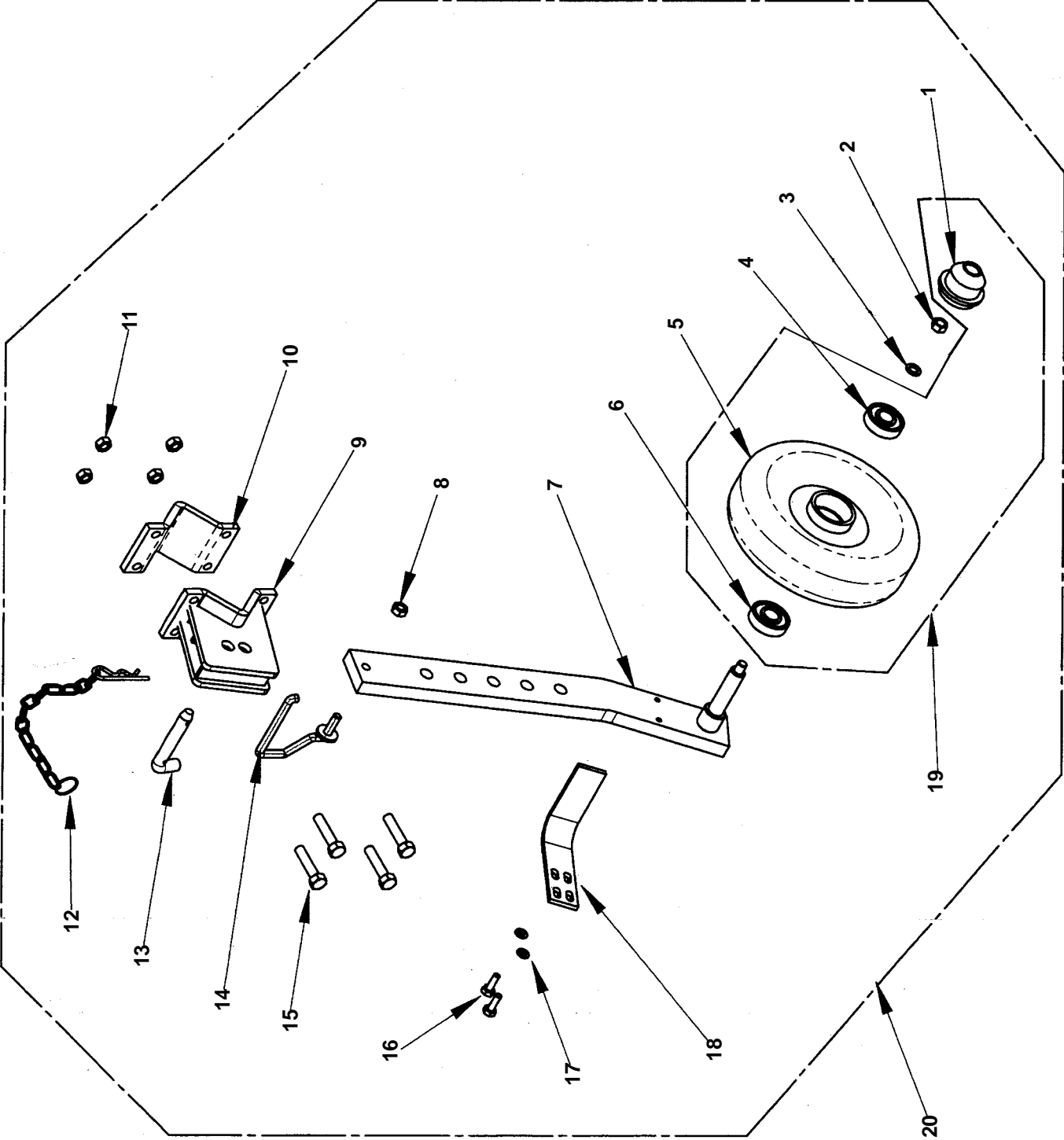
ROTAVATOR 500 / ROTALABOUR 500



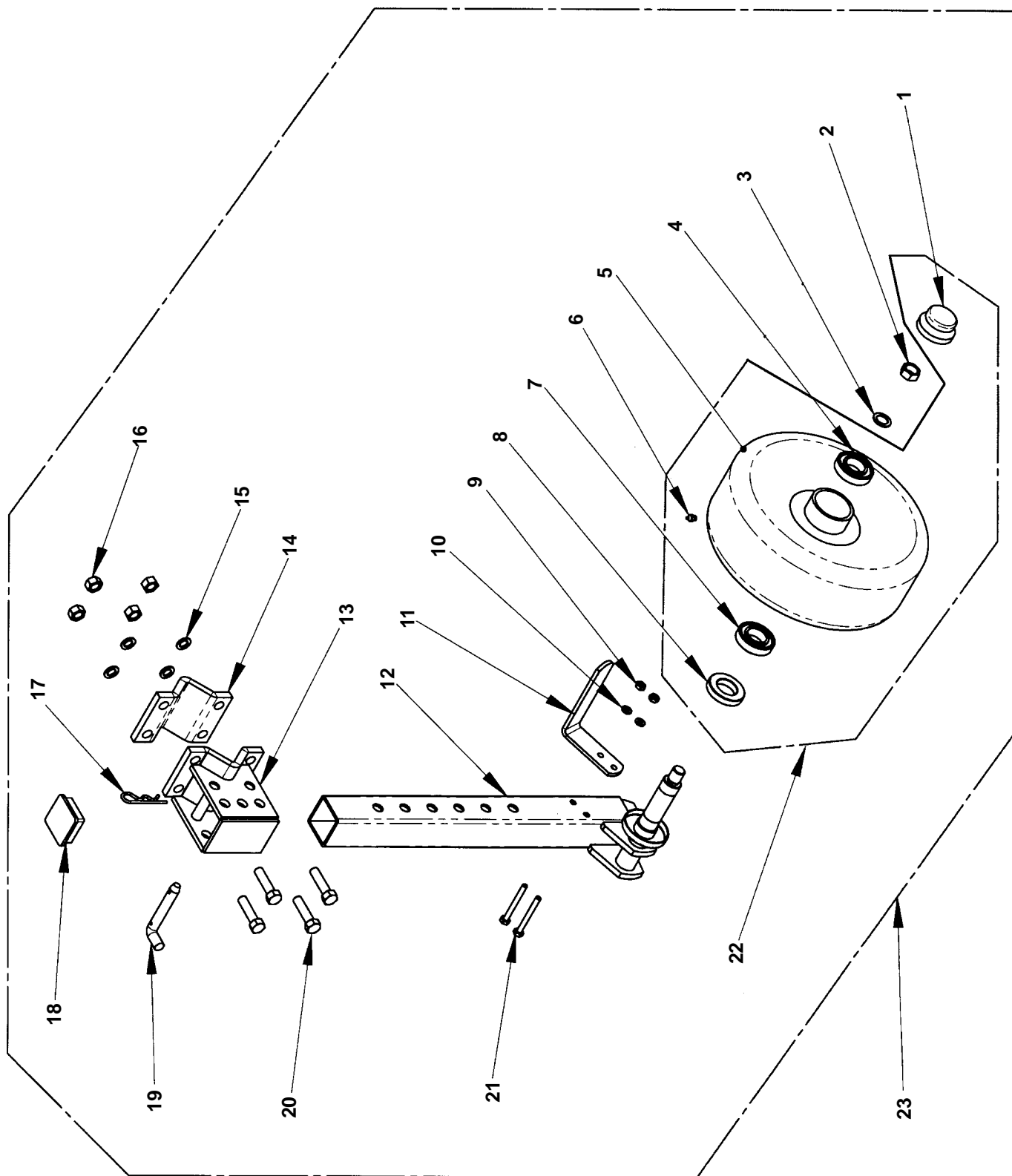
ROTAVATOR / ROTALABOUR 500



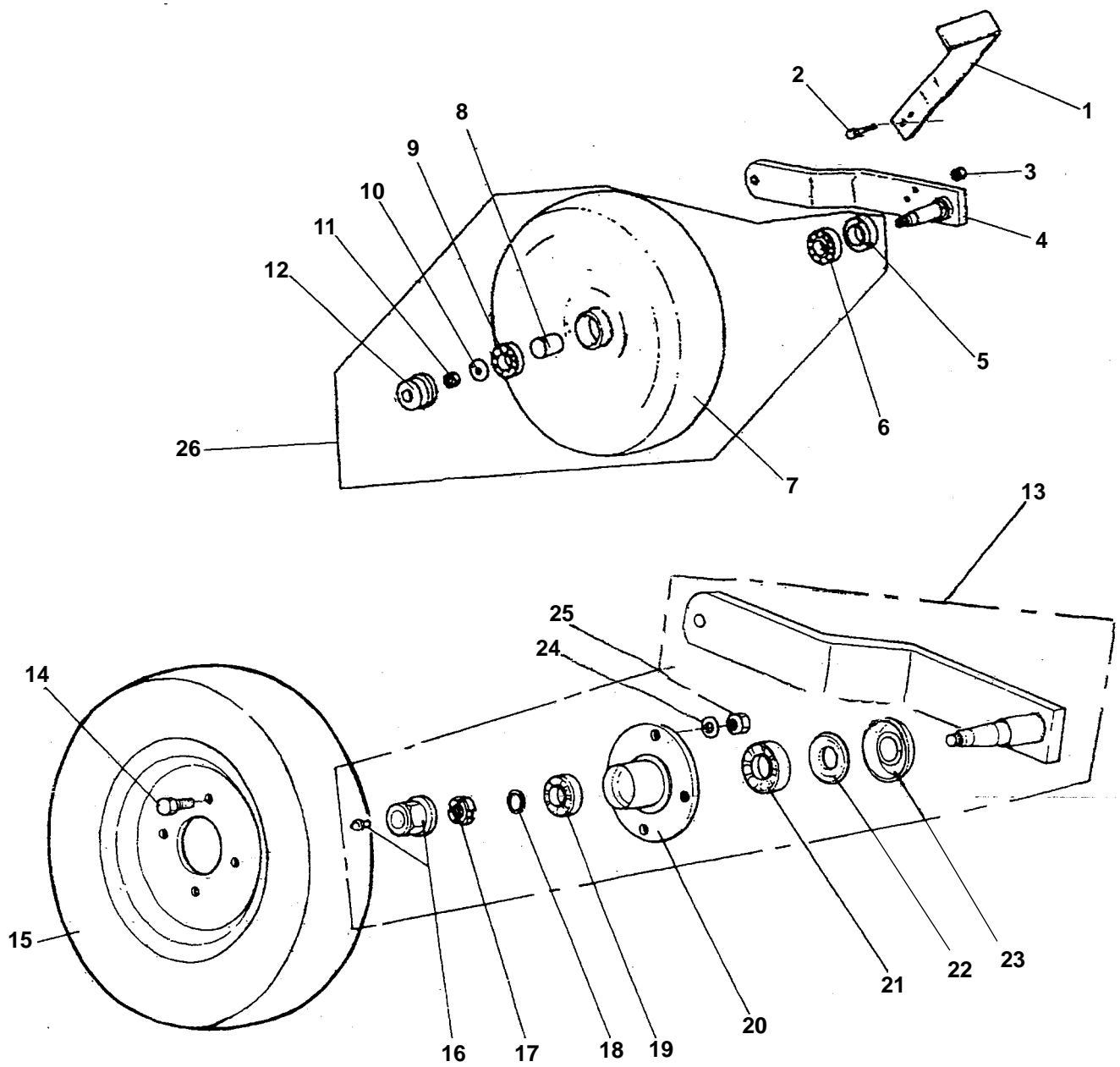
ROTAVATOR 500 / ROTALABOUR 500



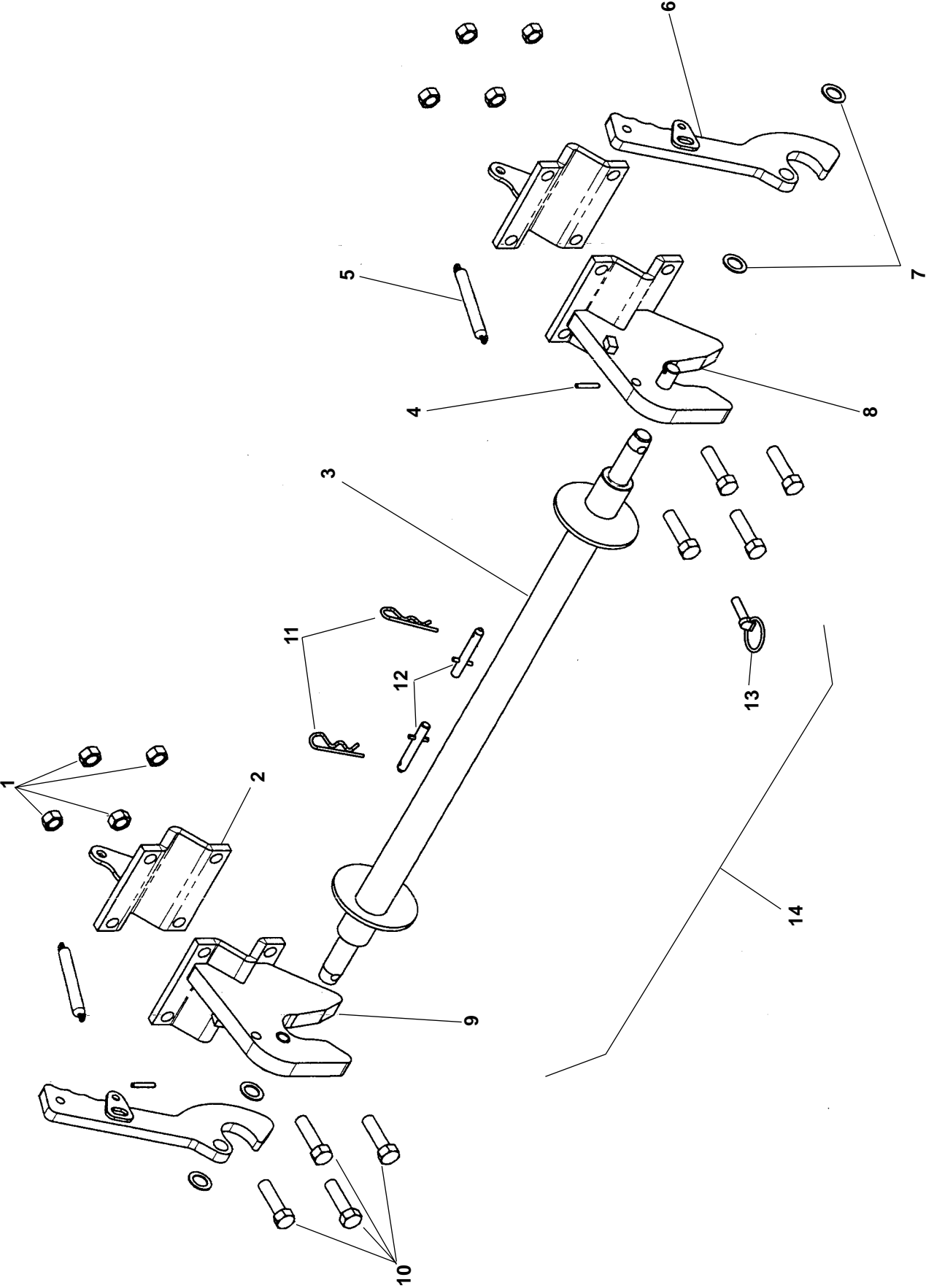
ROTAVATOR 500 / ROTALABOUR 500



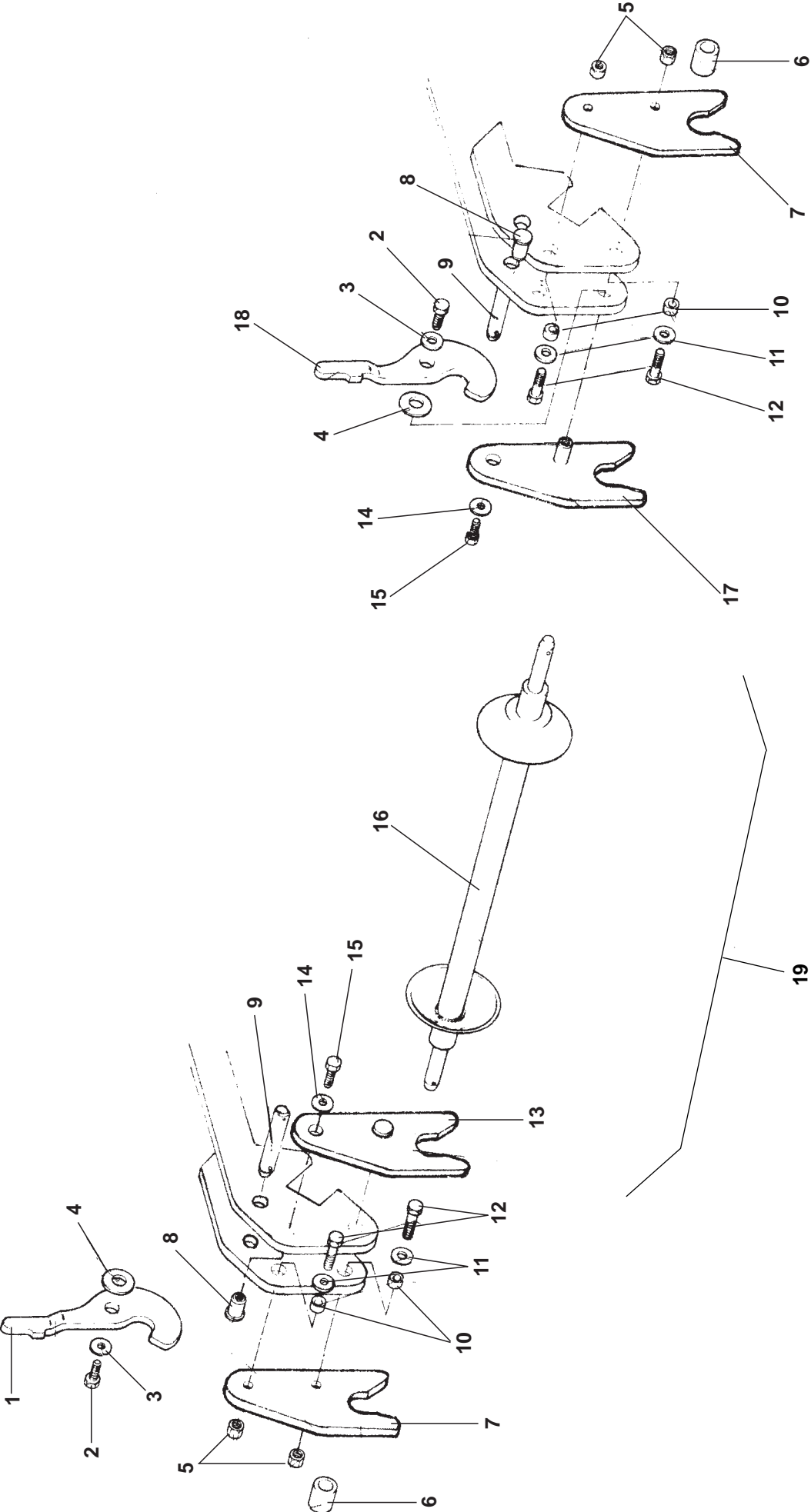
ROTAVATOR 500 / ROTALABOUR 500



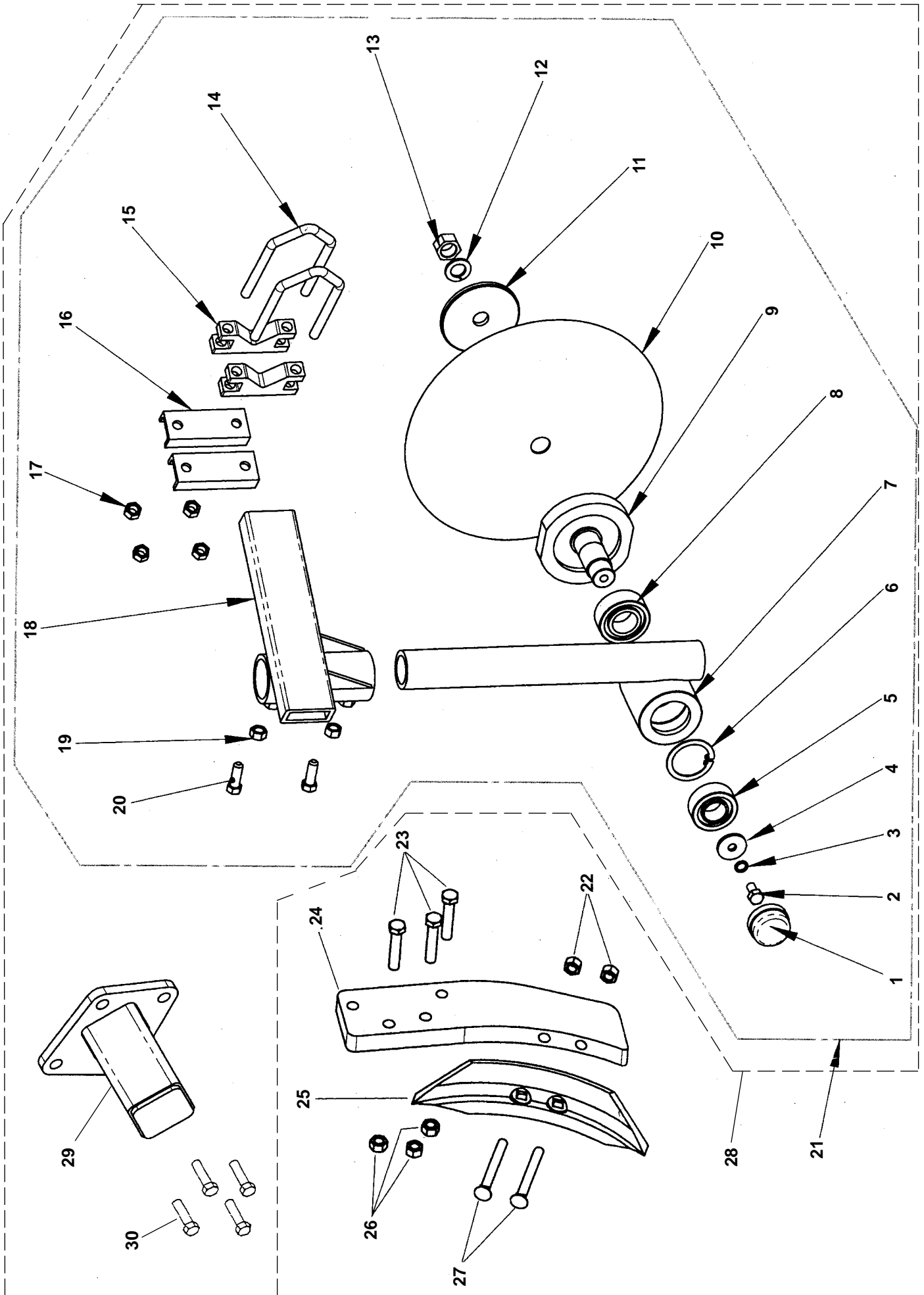
ROTAVATOR 500 / ROTALABOUR 500



ROTAVATOR / ROTALABOUR 500



ROTAVATOR 500 / ROTALABOUR 500



ROTAVATOR 500 / ROTALABOUR 500

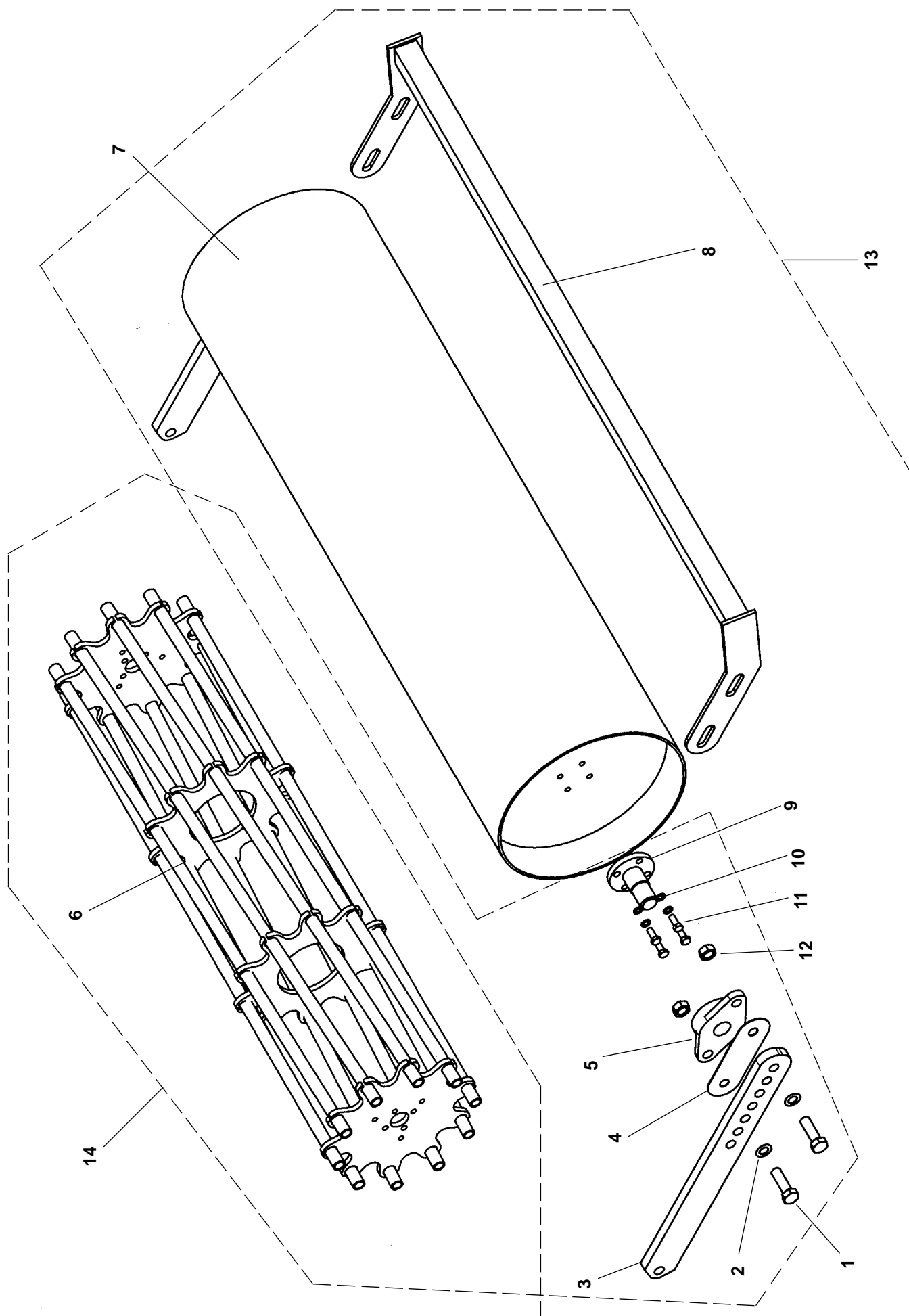


Fig.	Serial nº	Part nº	Pieces	Notes
1		301 224 800	4	Bolt M24 x 80mm Spring washer M24
2		308 240 020	4	
3		74 9668327 00 V	2	
3		74 9668327 01 V	2	
4		74 9668712 00	#	
5		254 517 700	2	Bearing UCFL # 309 SLB
6		74 9669222 18 V	1	
6		74 9669222 19 V	1	
6		74 9669222 20 V	1	
6		74 9669222 21 V	1	
6		74 9669222 23 V	1	230
6		74 9669222 25 V	1	255
6		74 9669222 28 V	1	280
6		74 9669222 30 V	1	305
7		74 9668708 18 V	1	
7		74 9668708 19 V	1	
7		74 9668708 20 V	1	
7		74 9668708 21 V	1	
7		74 9668708 23 V	1	
7		74 9668708 25 V	1	
7		74 9668708 28 V	1	
7		74 9668708 30 V	1	
8		74 9668710 18 V	1	
8		74 9668710 19 V	1	
8		74 9668710 20 V	1	
8		74 9668710 21 V	1	
8		74 9668710 23 V	1	
8		74 9668710 25 V	1	
8		74 9668710 28 V	1	
8		74 9668710 30 V	1	
9		74 9668675 00	1	Spring washer M14 Bolt M14 x 40mm Self locking nut M24
10		308 140 040	8	
11		301 214 400	8	
12		307 224 050	4	
13		74 9668709 18 V	1	
13		74 9668709 19 V	1	190
13		74 9668709 20 V	1	205
13		74 9668709 21 V	1	215
13		74 9668709 23 V	1	230
13		74 9668709 25 V	1	255
13		74 9668709 28 V	1	280
13		74 9668709 30 V	1	305
14		74 9669221 18 V	1	180
14		74 9669221 19 V	1	190
14		74 9669221 20 V	1	205
14		74 9669221 21 V	1	215
14		74 9669221 23 V	1	230
14		74 9669221 25 V	1	255
14		74 9669221 28 V	1	280
14		74 9669221 30 V	1	305

ROTAVATOR 500 / ROTALABOUR 500

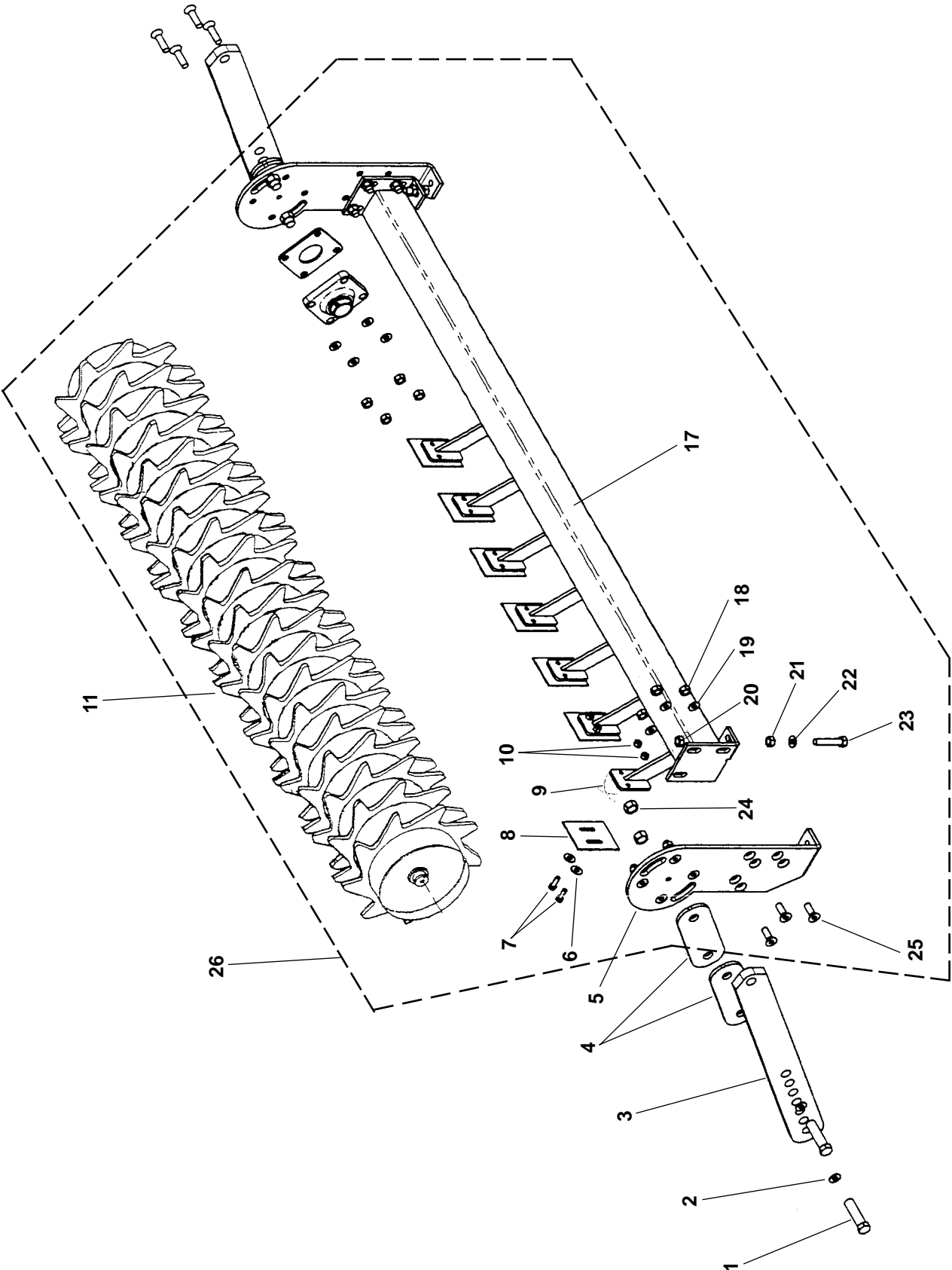


Fig.	Serial nº	Part nº	Pieces	Notes
1		301 222 800	4	Bolt M22 x 8mm
2		308 240 020	4	Flat washer M24
3		74 9668327 00 V	2	
3		74 9668327 01 V	2	
4		74 9668712 00	4	
5		74 9669044 00 V	2	
6		308 100 010	#	Flat washer M10
7		301 210 300	#	Bolt M10 x 30mm
8			#	
9		74 9668610 00 V	#	
10		307 210 040	#	Self locking nut M10
11		74 9669045 18 V	1	180
11		74 9669045 19 V	1	190
11		74 9669045 20 V	1	205
11		74 9669045 21 V	1	215
11		74 9669045 23 V	1	230
11		74 0009045 25 V	1	255
11		74 9669045 28 V	1	280
11		74 0009045 29 V	1	305
12		307 216 040	8	Self locking nut M16
13		308 160 010	8	Flat washer M16
14		254 513 401	2	Bearing UCF # 209
15		74 9669046 00	2	
16		301 216 600	8	Bolt M16 x 60mm
17		74 9669047 18 V	1	180
17		74 9669047 19 V	1	190
17		74 9669047 20 V	1	205
17		74 9669047 21 V	1	215
17		74 9669047 23 V	1	230
17		74 9669047 25 V	1	255
17		74 9669047 28 V	1	280
17		74 9669047 29 V	1	305
18		307 216 040	6	Self locking nut M16
19		308 160 010	6	Flat washer M16
20		307 216 010	2	Nut M16
21		307 216 010	2	Nut M16
22		308 160 010	2	Flat washer M16
23		301 216 800	2	Bolt M16 x 80mm
24		307 222 050	4	Self locking nut M22
25		301 216 500	6	Bolt M16 x 50mm
26		74 966878118	1	180
26		74 966878119	1	190
26		74 966878120	1	205
26		74 966878121	1	215
26		74 966878123	1	230
26		74 000667625	1	255
26		74 966878125	1	280
26		74 000667629	1	305