

Reservedelsliste

Spare parts list

Ersatzteilliste

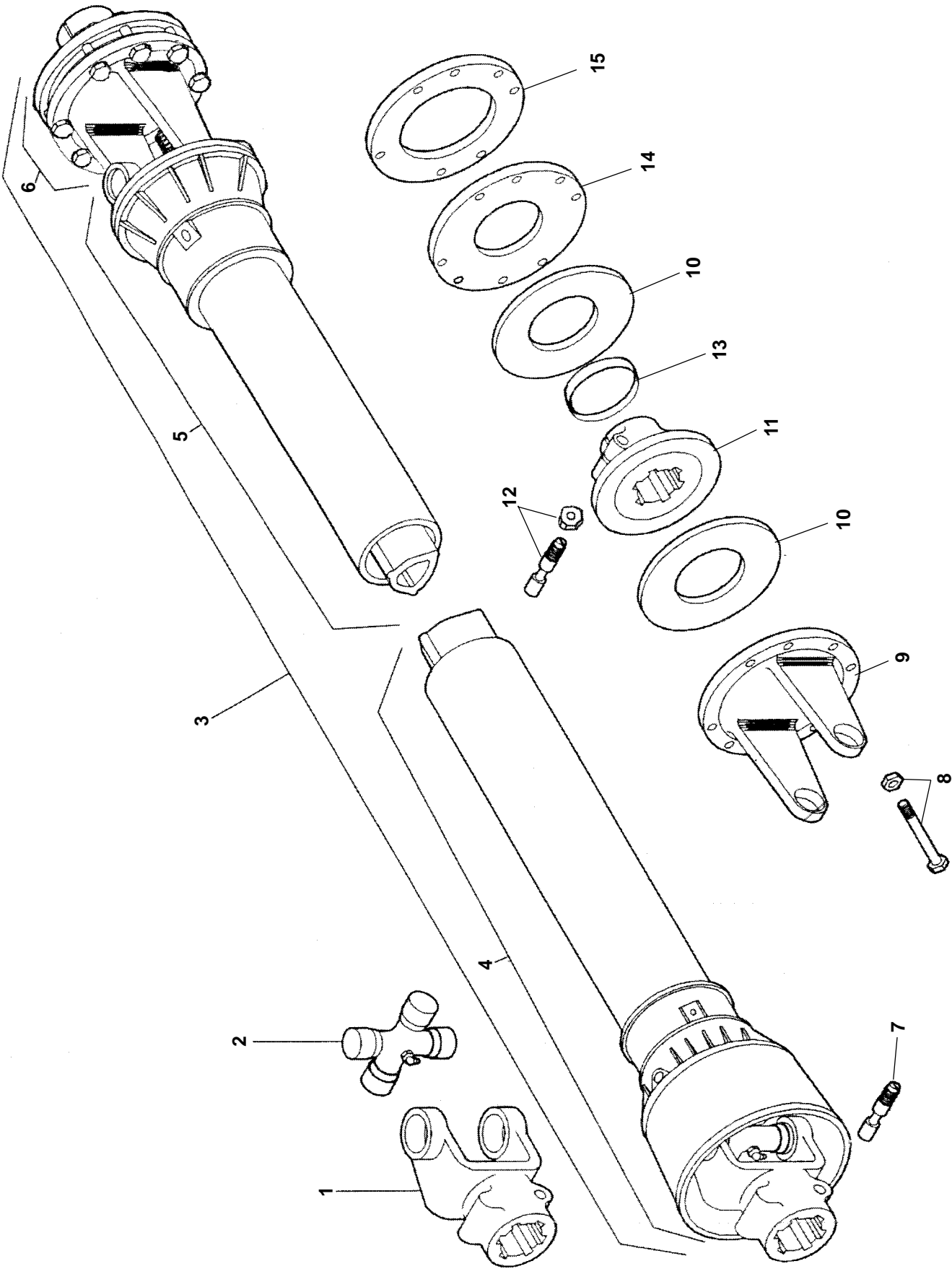
Onderdelenlijst

Liste de pièce de rechange

Lista de Piezas

Parti di ricambio

# ROTAVATOR 300





# ROTAVATOR 300

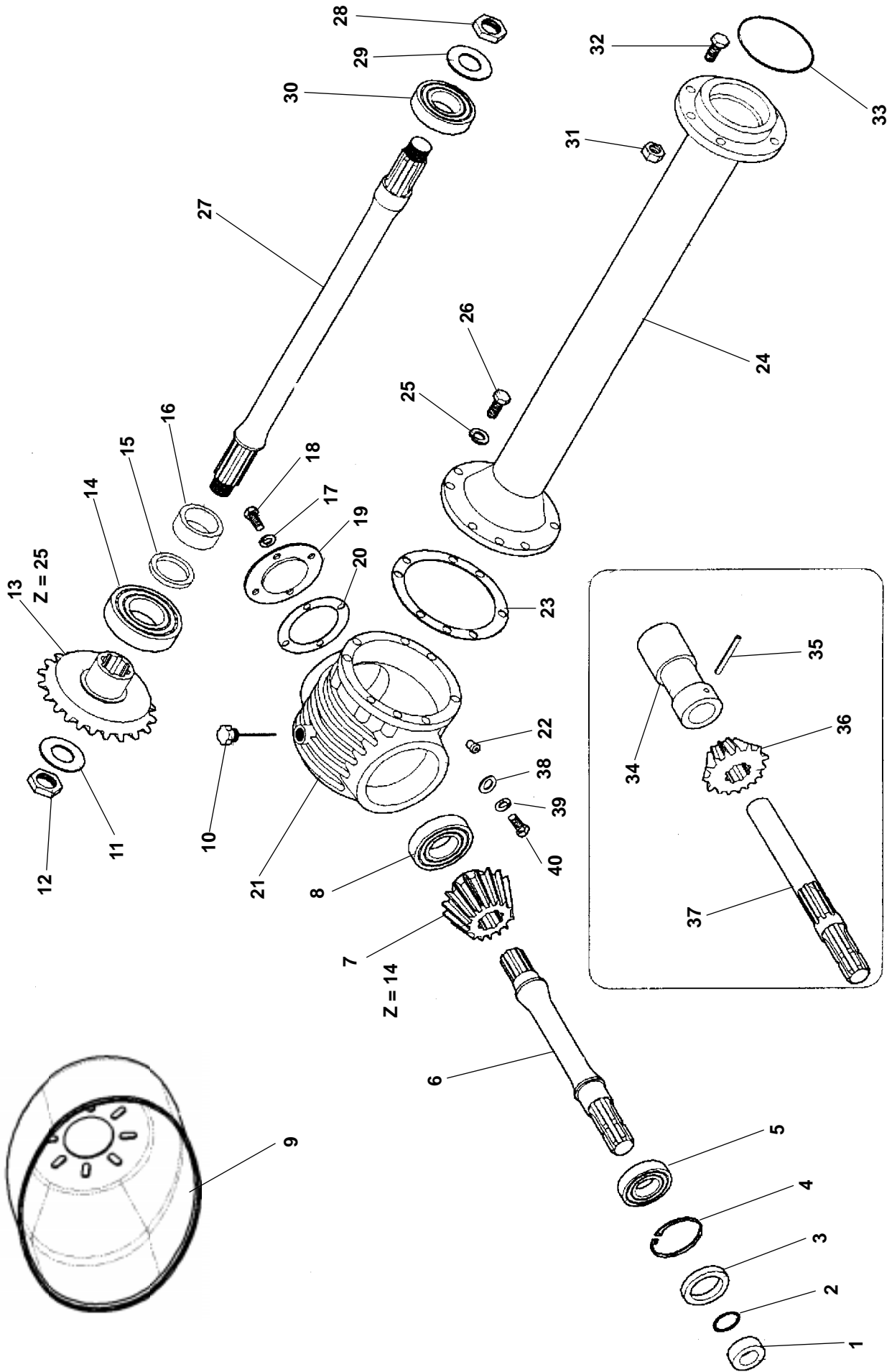
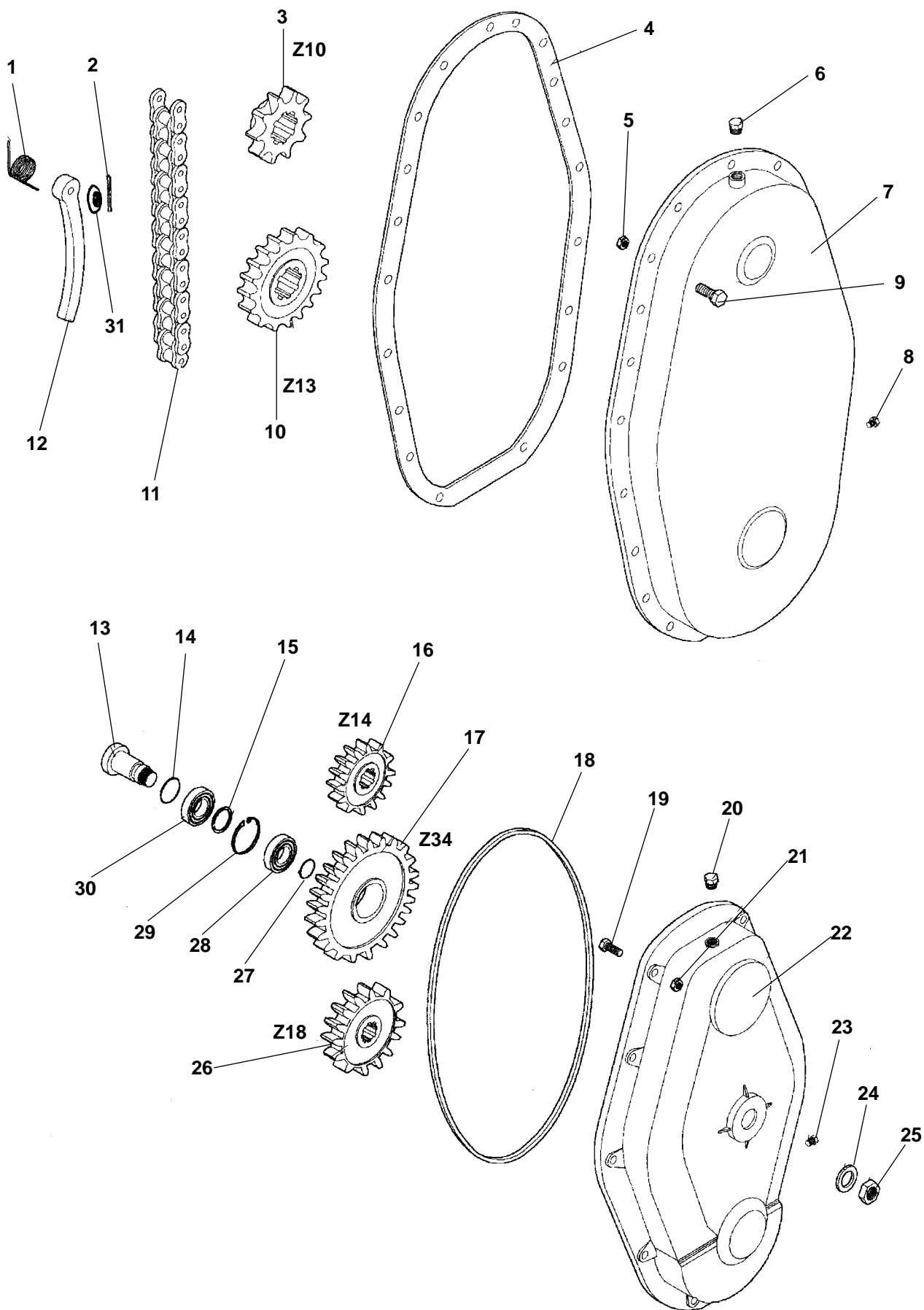


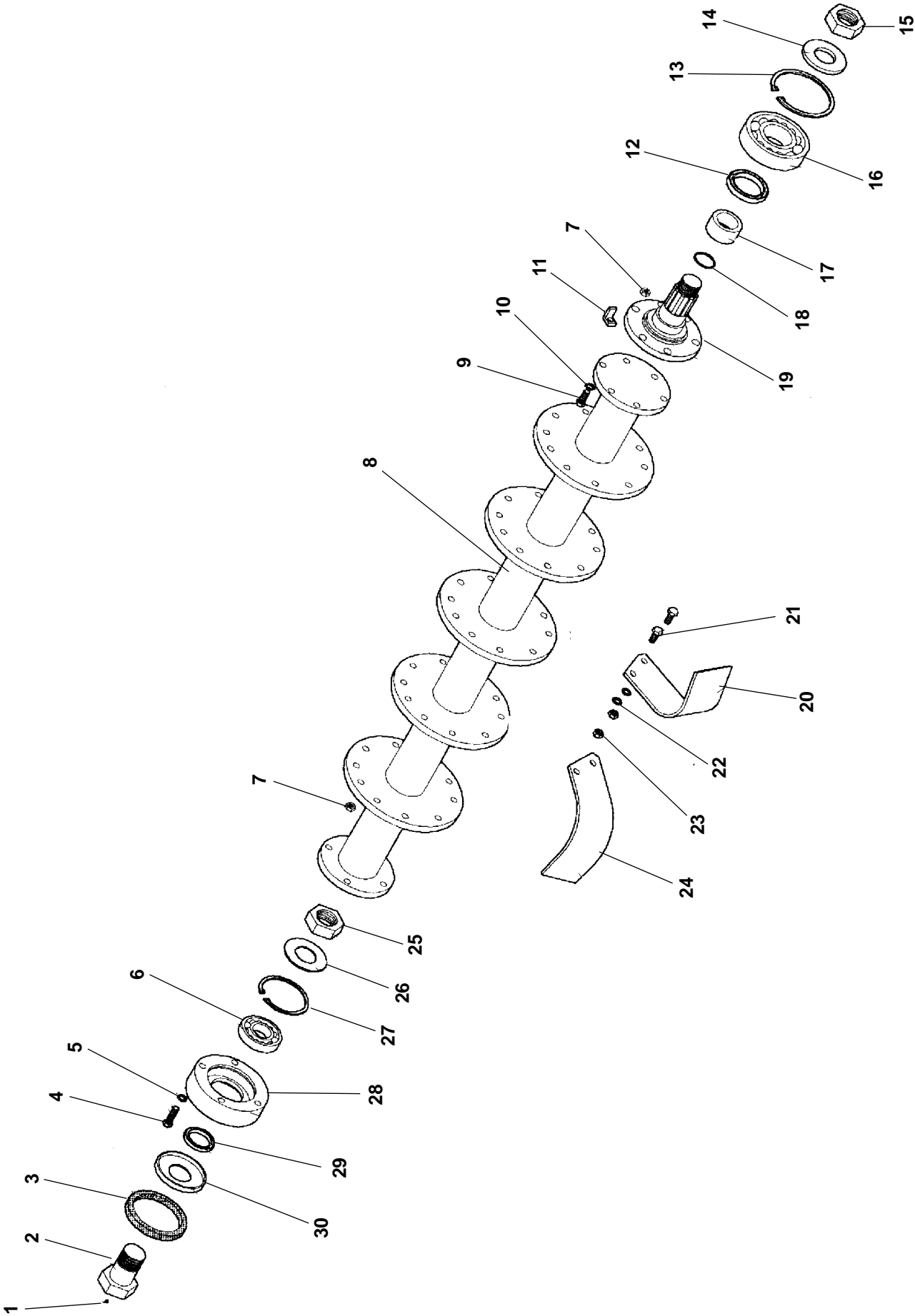
Fig.	Serial nº	Part nº	Pieces	Notes
1		74 000665093	1	
2		202 023 370	1	O Ring 35 x 3,5 mm.
3		267 250 121	1	Seal 72 x 50 x 12 mm.
4		208 001 310	1	Circlip I - 72
5		253 572 181	1	Bearing # 30207
6		74 000665092	1	
7		74 000665174	1	Z 14
8		253 072 211	1	Bearing # 30306
9		74 9668290 00	1	
10		74 000649623	1	Plug 1/2»
11		203 026 020	1	Belleville
12		74 000640114	1	Special nut
13		74 000665173	1	Z 25
14		255 510 231	1	Bearing # 30211
15		267 055 081	1	Seal 70 x 55 x 8 mm.
16		74 000640115	1	
17		108 061 140	4	Spring washer M10
18		301 210 250	4	Bolt M10 x 25 mm.
19		74 000665095	1	
20		74 000665179	1	0,25 mm.
20		74 000665180	1	0,50 mm.
21		74 000665090 R	1	
22		203 031 160	1	Plug 1/8»
23		74 000061021	1	
24		74 000665209 R	1	90
24		74 000665210 R	1	100 / 115
24		74 000665211 R	1	125 / 140
24		74 000666833 R	1	150
24		74 000668253 R	1	180
25		108 061 140	8	Spring Washer M10
26		301 210 250	8	Bolt M10 x 25 mm.
27		74 000640601	1	90
27		74 000640238	1	100 / 115
27		74 000640239	1	125 / 140
27		74 000665932	1	150
27		74 000665934	1	180
28		74 000640114	1	Special nut
29		203 026 140	1	B
29		203 026 020	1	S
30		254 080 201	1	Bearing # 30208
31		307 212 050	6	Locknut M12
32		301 212 300	6	Bolt M12 x 30 mm.
33		202 071 440	1	O Ring 87 x 95 x 4 mm.
34		74 000665067	1	
35		208 012 070	1	Pin
36		74 000665068	1	Z 25
37		74 000665066	1	
38		308 140 020	4	Flat washer M14
39		308 140 040	4	Spring washer M14
40		301 214 300	4	Bolt M14 x 30 mm

# ROTAVATOR 300





# ROTAVATOR 300







# ROTAVATOR 300

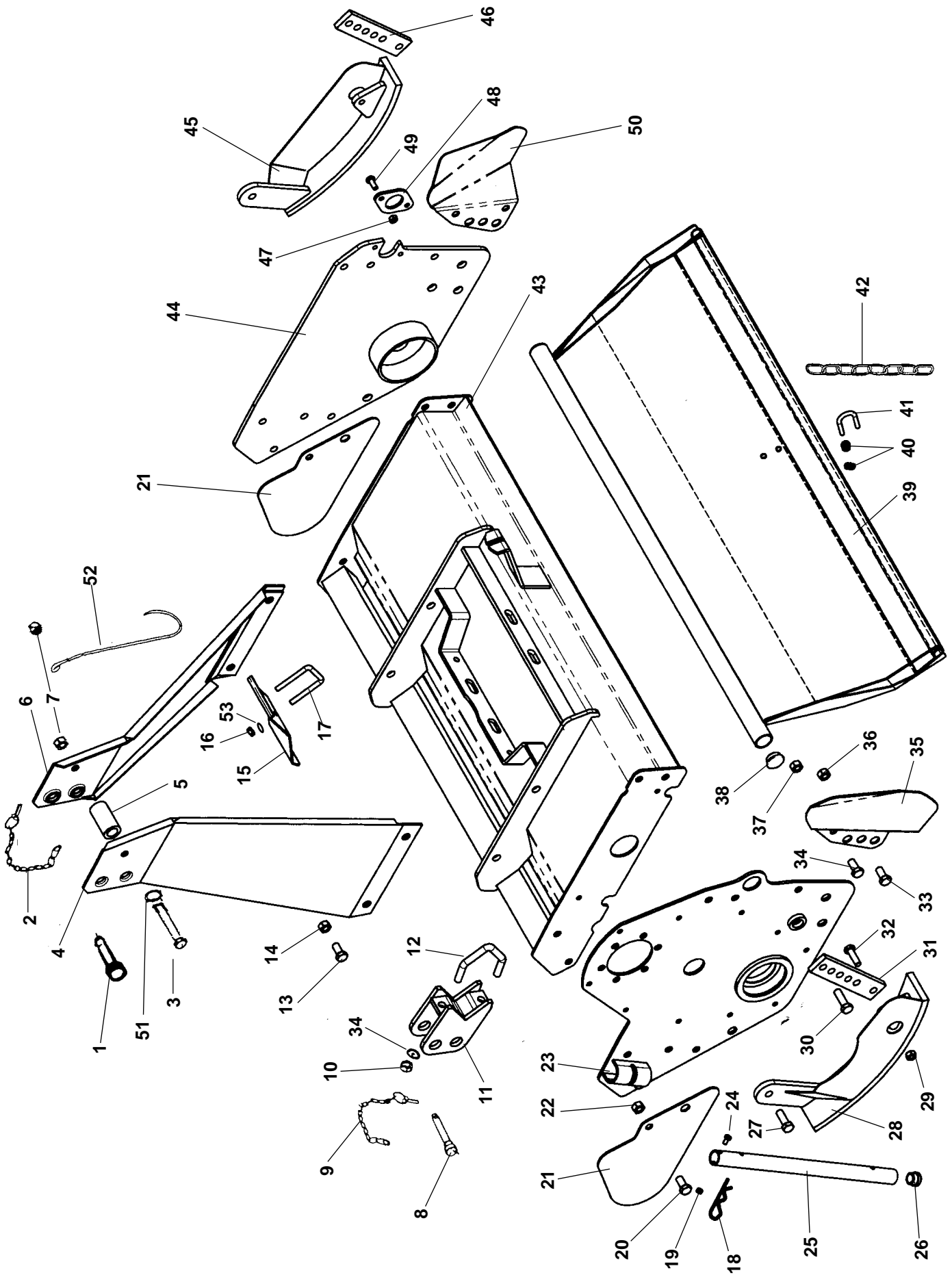
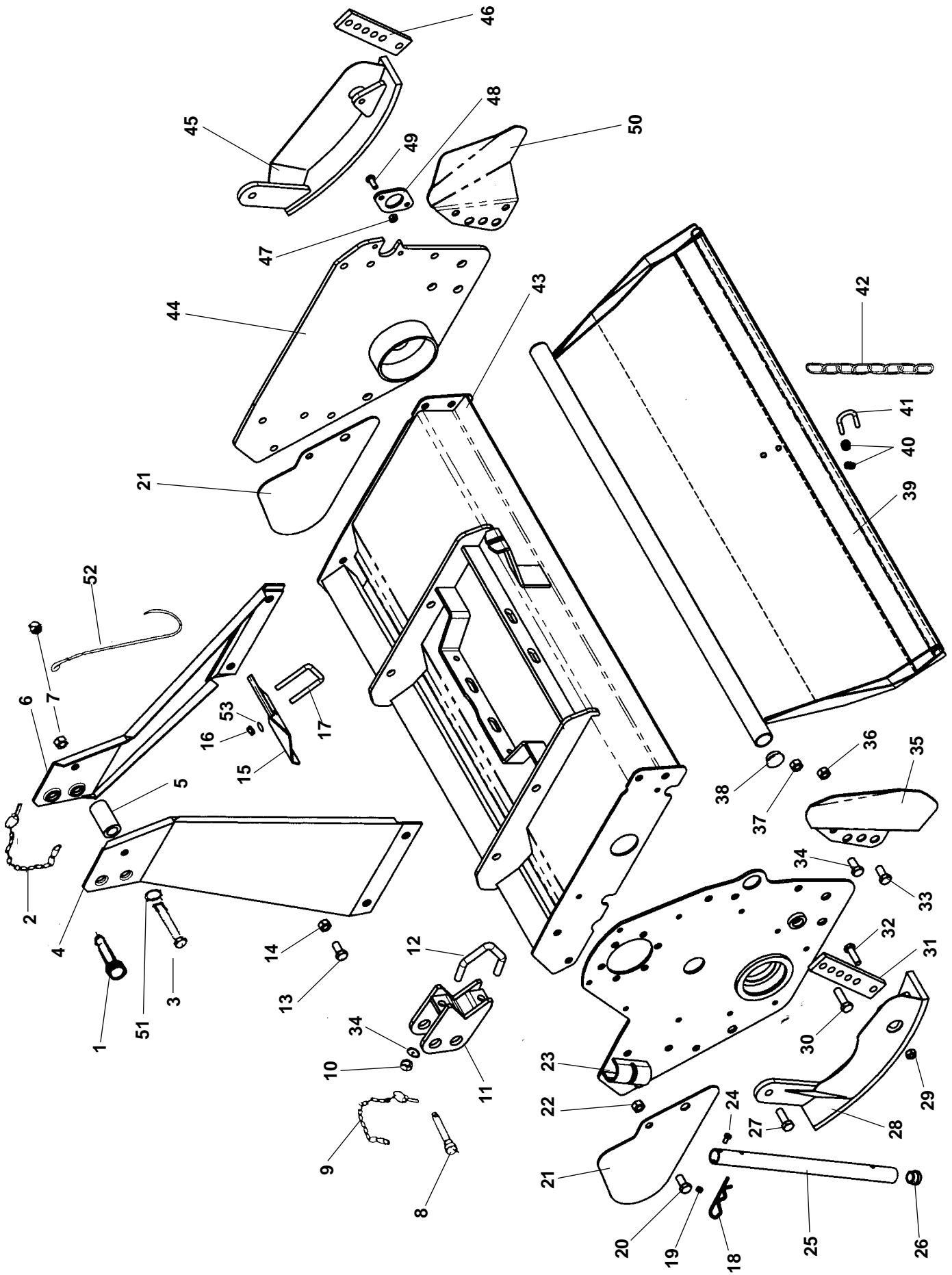


Fig.	Serial nº	Part nº	Pieces	Notes
1		74 000065566	1	
2		74 966887500	1	Pin
3		301 612 100	1	Bolt M12 x 110 mm.
4		74 000667709 R	1	
5		74 000667703	1	
6		74 000667710 R	1	
7		307 212 050	1	Self locking nut M12
8		71 000624176	2	
9		74 9668887500	2	Pin
10		307 212 050	4	Self locking nut M12
11		71 000633804 R	2	
12		71 000633629	2	
13		301 214 350	4	Bolt M14 x 30 mm.
14		307 214 050	4	Self locking nut M14
15		74 9668390 01	#	100 mm.
15		74 9668390 02	#	200 mm.
16		307 208 050	#	Self locking nut M8
17		74 9668399 00	#	
18		74 000649654	1	
19		307 206 050	1	Self locking nut M6
20		301 212 250	#	Bolt M12 x 25 mm.
21		74 9668385 00 R	2	B
21		74 9668389 00 R	2	S
22		307 212 050	#	Self locking nut M12
23		74 9668372 00 R	1	B
23		74 9668370 00 R	1	S
24		301 206 150	1	Bolt M6 x 15 mm.
25		74 9668473 00	1	
26		208 044 480	1	Plastic plug
27		301 212 300	2	S Bolt M12 x 30 mm
27		301 216 800	2	B Bolt M16 x 90 mm.
28		74 000649378 V	1	S
28		74 9668476 00 V	1	B
29		307 216 050	2	Self locking nut M16
29		307 212 050	2	Self locking nut M12
30		301 412 350	2	S Setscrew M12 x 35 mm.
31		74 000649373 R	2	
32		301 412 350	2	S Setscrew M12 x 35 mm.
32		301 416 900	2	B Setscrew 16 x 90 mm.
33		301 212 300	4	Bolt M12 x 30 mm.
34		308 120 085	4	Flat washer M12
35		74 9668387 01 R	1	
36		307 216 050	2	Self locking nut M16
37		307 212 050	4	Self locking nut M12
38		74 000649326	2	
39		74 9668393 09 R	1	90
39		74 9668393 10 R	1	100
39		74 9668393 11 R	1	115
39		74 9668393 12 R	1	120
39		74 9668393 14 R	1	140
39		74 9668393 15 R	1	150
39		74 9668393 18 R	1	180
40		307 280 010	4	Nut M8
41		74 000667687	1	
42		599 990 100	1	
43		74 9668379 09 R	1	90
43		74 9668379 10 R	1	100
43		74 9668379 11 R	1	115
43		74 9668379 12 R	1	120
43		74 9668379 14 R	1	140
43		74 9668379 15 R	1	150
43		74 9668379 18 R	1	180
43		74 9668396 12 R	1	120 offset
43		74 9668396 14 R	1	140 offset
43		74 9668396 15 R	1	150 offset
43		74 9668396 18 R	1	180 offset
44		74 9668397 00 R	1	S
44		74 9668398 00 R	1	B
45		74 000649374 00 V	1	S
45		74 9668477 00 V	1	B
46		74 000649373 R	1	
47		307 208 050	2	Self locking nut M8
48		74 000667400	1	
49		301 208 250	2	Bolt M8 x 25 mm.
50		74 9668388 00 R	1	

# ROTAVATOR 300





# ROTAVATOR 300

