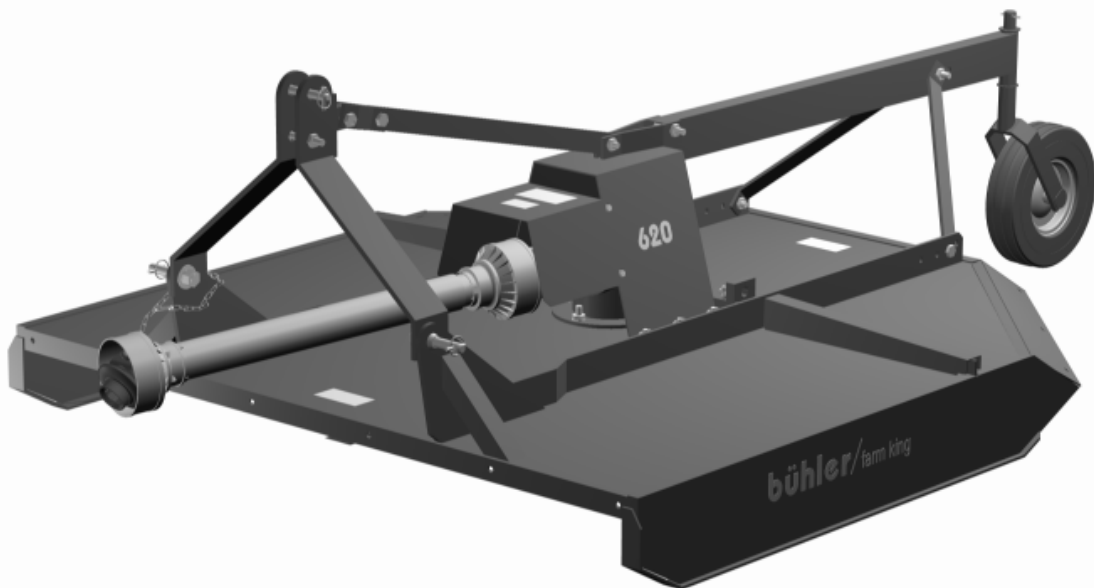


# bühler

## farm king



### **Series II Rotary Cutters**

Operator's and Parts Manual  
FK324

2008



**TABLE OF CONTENTS**

<b>DESCRIPTION</b>	<b>PAGE</b>
<b>WARRANTY</b> .....	1
<b>INTRODUCTION</b> .....	2
<b>SAFETY</b> .....	3
Safety .....	3
General Safety .....	4
Start Up Safety .....	4
Operation Safety .....	4
Transport Safety.....	5
Service & Maintenance Safety .....	5
Storage Safety .....	5
Safety Signs .....	6
Safety Sign Installation.....	6
<b>ASSEMBLY</b> .....	8
3 Point Hitch Mounted Assembly Instructions ...	8
Trailing Model Assembly Instructions .....	9
Chain Kit Assembly Instructions.....	10
<b>OPERATION</b> .....	11
Operating Instructions .....	11
Theory of Operation .....	13
<b>MAINTENANCE</b> .....	14
Service .....	14
Bolt Torque .....	15
<b>PARTS LISTS</b>	
3 Point Hitch Mounted Drawing.....	16
Trailing Drawing .....	17
Parts List .....	18
Chain Kit Drawing .....	22
Chain Kit Parts List.....	23
Model #510 PTO Shaft Drawing & Parts List ....	24
Model #510 Shear Pin parts List .....	25
Model #620 & #720 PTO Shaft Drawing .....	26
Model #620 – 3 Point Hitch Parts List .....	27
Model #620 – Trailing Parts List.....	28
Model #720 – 3 Point Hitch Parts List .....	29
Model #720 PTO Shaft Drawing.....	30
Model #720 – Trailing Parts List.....	31
Model #720 Q-Shaft Drawing .....	32
Model #720 Q-Shaft Parts List .....	33

**GEARBOXES**

Model #510 Gearbox Drawing .....	34
Model #510 Gearbox Parts List.....	35
Model #620 Gearbox Drawing .....	36
Model #620 Gearbox Parts List.....	37
Model #720 Gearbox Drawing .....	38
Model #720 Gearbox Parts List.....	39

**CYLINDER ASSEMBLY DRAWING & PARTS LIST.. 40****SHIPPING KIT AND BUNDLE NUMBERS ..... 41**

## **WARRANTY POLICY**

Buhler Manufacturing products are warranted for a period of twelve (12) months (90 days for commercial application) from original date of purchase, by original purchaser, to be free from defects in material and workmanship under correct, normal agricultural use and proper applications.

Buhler Manufacturing's obligations under this warranty shall be limited to the repair or exchange, at Buhler Manufacturing's option, of any Buhler Manufacturing product or part which proves to be defective as provided. Buhler Manufacturing reserves the right to either inspect the product at the buyer's location or have it returned to the factory for inspection.

The above warranty does not extend to goods damaged or subject to accident, abuse or misuse after shipment from Buhler Manufacturing's factory, nor to goods altered or repaired by anyone other than an authorized Buhler Manufacturing representative.

Buhler Manufacturing makes no Express Warranties other than those, which are specifically described. Any description of goods, including any references and specifications in catalogues, circulars and other written material published, is for the sole purpose of identifying goods and shall conform to such descriptions. Any sample or model is for illustrative purposes only and does not create an Express Warranty that the goods conform to sample or model shown.

The purchaser is solely responsible for determining suitability of goods sold. This warranty is expressly in lieu of all other warranties expressed or implied. Buhler Manufacturing will in no event be liable for any incidental or consequential damages whatsoever. Nor for any sum in excess of the price received for the goods for which liability is claimed.

### **WARRANTY CLAIMS:**

Warranty requests must be prepared on Buhler Manufacturing Warranty Claim Forms with all requested information properly completed. Warranty Claims must be submitted within a thirty (30) day period from date of failure repair.

### **WARRANTY LABOR:**

Any labor subject to warranty **must** be authorized by Buhler Manufacturing. The labor rate for replacing defective parts, where applicable, will be credited at 100% of the dealer's posted shop rate. Defective parts will receive an extra 10% discount to assist with freight or other incidental costs.

### **GOVERNMENT LEGISLATION:**

Warranty terms and conditions are subject to Provincial or State legislation.

### **IMPORTANT FACTS:**

Buckets and Bucket Tines Carry No Warranty  
Bent Spears Carry No Warranty  
Snowblower Fan Shafts Carry No Warranty  
Mower Blades Carry No Warranty  
Portable Auger Parts Have Two (2) Year Warranty  
Loader Parts Have Two (2) Year Warranty

**IMPORTANT NOTE: This warranty does not apply to rentals**

## INTRODUCTION

The Buhler Farm King Series II Rotary cutter available in 60", 72" and 84" and are equipped with either trailing style or 3-point hitch. The 3-point hitch is Buhler Quick Hitch compatible so it is easy to attach and unhook. 3-point hitch models include a single solid rubber training wheel, while rotary cutters with a trailing hitch have two wheels, either air-filled or made of solid rubber.

Buhler Farm King Rotary Cutters are built tough and made to last. The blades are heat-treated to enhance rigidity and the heavy-duty gearbox is designed to be rugged and durable. The access panel on the deck makes it easy to inspect or replace the blades. An optional chain kit minimizes the possibility of flying debris. The stump-jumper is a 24" plate mounted to the blades below the gearbox and minimizes stress on the deck and gearbox. The power take-off (PTO) shaft on the Series II 60" Rotary Cutter includes a sheer pin to protect the gearbox in the event of an unforeseen obstacle, while the 72" and 84" rotary cutters are equipped with a slip clutch to prevent gearbox damage. The Y720T with the trailing style hitch includes a two-piece PTO shaft for tighter turning radius. An 8" cylinder and hoses are optional for all trailing models.

Keep this manual handy for frequent reference. All new operators or owners must review the manual before using the equipment and at least annually thereafter. Contact your Buhler Dealer if you need assistance, information, or additional copies of the manual. Visit our website at [www.buhler.com](http://www.buhler.com) for a complete list of dealers in your area.

The directions left, right, front and rear, as mentioned throughout this manual, are as seen facing in the direction of travel of the implement.

## SAFETY

Remember, YOU are the key to safety. Good safety practices not only protect you, but also the people around you. Make these practices a working part of your safety program. Be certain that everyone operating this equipment is familiar with the recommended operating and maintenance procedures and follows all the safety precautions. Most accidents can be prevented. Do not risk injury or death by ignoring good safety practices.

The alert symbol is used throughout this manual. It indicates attention is required and identifies hazards. Follow the recommended precautions.



The safety alert symbol means...

**ATTENTION! BECOME ALERT! YOUR SAFETY IS INVOLVED!**



### CAUTION

The caution symbol indicates a potentially hazardous situation that, if not avoided, may result in minor or moderate injury. It may also be used to alert against unsafe practices.



### WARNING

The Warning Symbol indicates a potentially hazardous situation that, if not avoided, could result in death or serious injury, and includes hazards that are exposed when guards are removed. It may also be used to alert against unsafe practices.



### DANGER

The Danger Symbol indicates an imminently hazardous situation that, if not avoided will result in death or serious injury. This signal word is to be limited to the most extreme situations, typically for machine components that, for functional purposes, cannot be guarded.

## **GENERAL SAFETY INSTRUCTIONS**

Have a first-aid kit available for use and know how to use it.

Have a fire extinguisher available, stored in a highly visible location, and know how to use it.

Wear appropriate protective gear. This list may include but is not limited to:

- hard hat
- protective shoes with slip resistant soles
- protective glasses or goggles
- heavy gloves
- wet weather gear
- hearing protection
- respirator or filter mask

Read and understand the Operator's Manual and all safety signs before operating, servicing, adjusting, repairing, or unplugging the equipment.

Do not attempt any unauthorized modifications to your Buhler product as this could affect function or safety, and could affect the life of the equipment.

Never start or operate the cutter except from the operator's station on the power unit.

Inspect and clean the working area before operating.

Keep hands, feet clothing, and hair away from moving parts.

Ensure bystanders are clear of the area before operating.

## **START UP SAFETY**

Do not let inexperienced operators or children run this equipment.

Place all tractor and machine controls in neutral before starting.

Operate only with ROPS and seatbelt equipped tractors.

Do not operate inside a building unless there is adequate ventilation.

Ensure all shields are in place and in good condition before operating.

Stay clear of PTO shaft and machine when engaging PTO.

## **OPERATION SAFETY**

Do not permit riders.

Do not wear loose fitting clothing during operation.

Never operate over 540 rpm PTO speed.

Never operate the equipment in the raised position.



## **TRANSPORT SAFETY**

Review Transport Safety instructions in tractor manual before moving.

Check with local authorities regarding transport on public roads. Obey all applicable laws and regulations.

Do not tow equipment that does not have brakes at speeds over 32 km/h (20 mp/h)

Do not tow equipment that does not have brakes that, when fully loaded, has a mass (weight) over 1.5 t (3300 lb.) and more than 1.5 times the mass (weight) of the towing unit.

Make sure the SMV (Slow Moving Vehicle) emblem and all the lights and reflectors that are required by the local highway and transport authorities are in place, are clean, and can be seen clearly by all overtaking and oncoming traffic.

Never have the equipment in operation during transport.

Always travel at a safe speed.

## **SERVICE AND MAINTENANCE SAFETY**

Stop engine, set brake, remove ignition key, and wait for all moving parts to stop before servicing, adjusting, repairing, or unplugging.

Support the equipment with blocks or safety stands before working beneath it.

Follow good shop practices including:

- keep service area clean and dry
- be sure electrical outlets and tools are properly grounded
- use adequate light for the job

Use only tools, jacks, and hoists of sufficient capacity for the job.

Replace and secure all shields removed during servicing before operating.

Use heavy leather gloves to handle sharp objects.

Check hydraulics regularly for leaks. Use cardboard to look for leaks, and use hand and eye protection.

Relieve pressure on hydraulic system before repairing or adjusting.

## **STORAGE SAFETY**

Store the unit in an area away from human activity.

Do not permit children to play on or around the stored machine.

Support the frame on stands and blocks to provide a secure base.

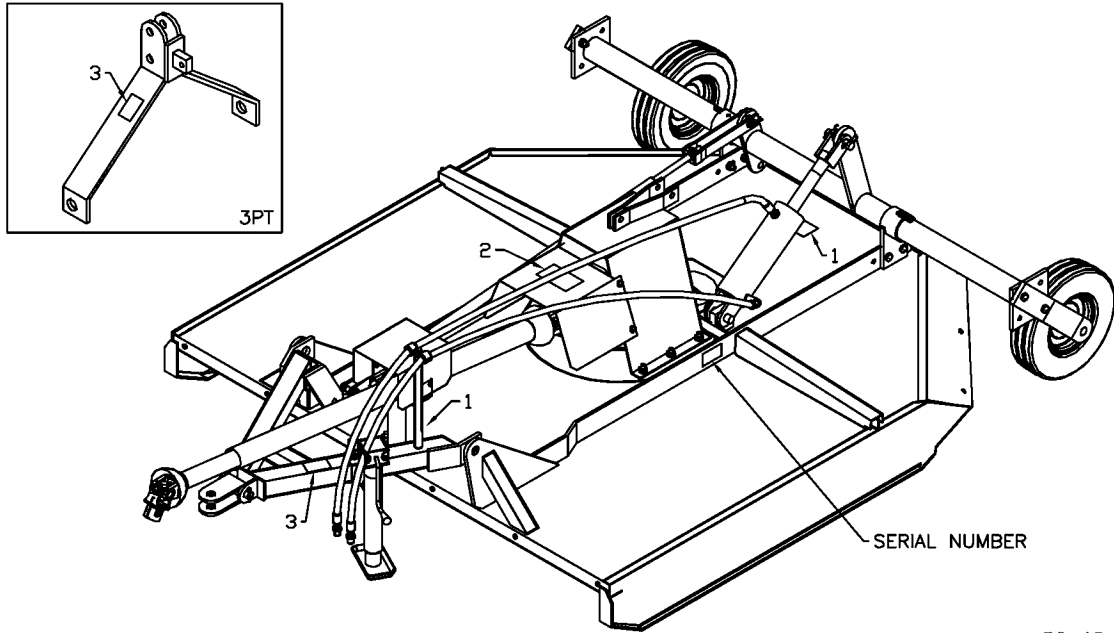
## **SAFETY SIGNS**

The following illustration shows the approximate location and detail of safety signs. Keep all safety signs clean and legible and replace any that are damaged or missing. When original parts are replaced, any safety signs affixed to those parts should be replaced as well. Replacement safety signs are available from your local dealer.

## **INSTALLATION OF SAFETY SIGNS**

To install safety signs, ensure the installation area is clean and dry. Decide on the exact position before you remove the backing paper. Remove the smallest portion of the split backing paper and align over the specified area. Carefully press in place. Slowly peel back the remaining paper and smooth the remaining portion in place. Small air pockets can be pierced with a pin and smoothed out.

ROTARY CUTTER SAFETY SIGNS



RC-18

**! DANGER**

- Avoid bodily injury:**  
Object may be thrown great distances by cutting blade rotating under deck.
- Stay clear and watch out for bystanders.**  
Keep all shields in place.  
Use extra protective shields (optional) on all discharge openings at front and rear of deck whenever possible.
- Before working on mower:**  
Disengage power, shut off engine, and make sure blade has stopped turning.

966001

#1

**! WARNING**

CHECK PTO SHAFT LENGTH BEFORE RAISING OR LOWERING IMPLEMENT. SHAFT MUST NOT BOTTOM OR SEPERATE (SEE MANUAL)

108431

#3

**! WARNING**

- ENSURE DRIVELINE SHIELDS ARE IN PLACE AND IN GOOD CONDITION BEFORE OPERATING.
- PTO OPERATING SPEED IS 540 RPM.
- ALWAYS REMOVE TRACTOR KEY, SET PARK BRAKE AND PLACE MOWER IN LOWEST POSITION WHEN UNATTENDED.
- ENSURE ROTATION OF ALL COMPONENTS HAS STOPPED BEFORE SERVICING.

966701

#2

Replace safety sign immediately should it become damaged, torn or illegible. Obtain replacements from your authorized dealer using the part numbers shown.

## ASSEMBLY INSTRUCTIONS


### Three point hitch mounted models:

1. Mount the hitch assembly (#7) to the deck using the category 1 lift arm pins (#32) supplied. The bushings (#34), and the 1" I.D. washer (#73) should allow the hitch to swivel freely.
2. The ends of the two pivot arms (#5 & #6) with the offset holes bolt to the hitch using a 5/8" x 4" bolt and lock nut. The offset should be turned down. The lift arm (#4) bolts between the ends of the pivot arms and the brackets at the top of the center mount (#2) using 5/8" x 2" hex bolts and lock nuts. Do not over tighten the lock nuts. The entire hitch assembly should swivel freely if properly assembled. Assemble chain PTO holder (#104) to 3-point hitch (#7) using one 3/8" x 1 1/2" hex bolt (#103), lock washer and hex nut.
2. Bolt the tail wheel arm (#8) to the center mount (#2) using a 5/8" x 4" bolt and lock nut. The tube welded to the outside end of the tail wheel arm is offset 2 1/4" past the edge of the tube. The 2 1/4" offset is turned down for 5' and 6' cutters and up for 7' cutters. Assemble the tail wheel (#11) in the wheel yoke (#10) using axle pin (#12) and a 1/4" x 1 1/2" cotter pin. Mount the yoke in the sleeve at the end of the tail wheel arm. Use an 18 gauge washer on each side of the sleeve and lock in place with a 1/4" x 1 3/4" cotter pin. The adjustment arms (#9) hold the tail wheel arm in place and also set the cutting height of the cutter. Bolt arms to the deck using hex bolts (#15) and lock nuts and to the tail-wheel arm using 5/8" x 4" hex bolt and lock nut.
4. Connect the PTO shaft to the gearbox. A snap ring holds on the PTO shafts with a shear pin. The clutch must be engaged on PTO shafts with a slip clutch as per operating instructions so the clutch will slip if you hit a hard object. After engaging clutch, bolt the PTO guard (#3) to the center mount using 5/16" x 3/4" hex bolts, lock washers and hex nuts.
5. Re-check all the fasteners. There should be free movement of all pieces held together by a bolt and lock nut.

## ASSEMBLY INSTRUCTIONS

### Trailing Models:

1. Mount the swivel tube assembly (#47) to the cutter deck by bolting to the outside edge of the deck reinforcement using  $\frac{1}{2}$ " x  $1\frac{3}{4}$ " hex bolts, lock washers and hex nuts.
2. The wheel yoke arms (#48) may be assembled to cutter in two ways:
  - a) Wheels trailing behind mower. Assemble as shown in drawing. Bolt the yoke arms (#48) to the tube assembly using  $\frac{1}{2}$ " x 2" hex bolts, lock washers and hex nuts with the wheels turned to the inside of the mower. With the wheels in this position, the control rod clevis (#53) attaches to the top bracket on the tube assembly as shown in drawing. Use a 1" I.D. flat washer and a  $\frac{1}{4}$ " x  $1\frac{1}{2}$ " cotter pin to mount the wheels.
  - b) Wheels forward at side of cutter. Bolt the yoke arms to the tube assembly so the wheels are on the outside of the cutter. With the wheels in this position, the control rod clevis (#53) attaches to the bottom bracket on the tube assembly.
3. Bolt the tongue assembly (#63) to the cutter deck using  $\frac{7}{8}$ " x  $2\frac{1}{2}$ " bolts, lock washers and hex nuts. The  $1\frac{1}{4}$ " diameter x  $\frac{5}{8}$ " long bushings (#58) held in place by a 1" I.D. flat washer (#73) should allow the tongue to swivel.
3. An 8" stroke hydraulic cylinder (#49) is required to operate the hydraulic lift on the cutter. Using  $\frac{1}{2}$ " x 90° elbows (#50) on the hydraulic cylinder will keep the hoses in better alignment (for 5' & 6'). Approximately 12 foot long hydraulic hoses are required.
4. Bolt the welded end of the level control rod (#56) to the front tongue as shown on drawing using a  $\frac{5}{8}$ " x  $2\frac{1}{2}$ " hex bolt and lock nut. The control rod clevis (#53) must be adjusted so the cutter will sit level with the ground when it is pinned to the swivel assembly.

 **Note:** Be sure to use the top bracket on the swivel assembly (#47) when the wheels are trailing behind the cutter as shown in drawing.
5. Mount the slip clutch PTO shaft on the cutter. The clutch must be engaged so it will slip when you hit a hard object as per operating instructions. After engaging the clutch, bolt on the PTO guard (#3) using  $\frac{5}{16}$ " x  $\frac{3}{4}$ " hex bolts, lock washers and hex nuts.
7. An optional jack (#67) is available to lift the tongue when mounting the cutter on a tractor.

**ASSEMBLY INSTRUCTIONS - CONT'D.****Trailing Models:**

8. Re-check and tighten all bolts. Only pieces held by a bolt and lock nut should have free movement.
9. 7' Cutters Only: Bolt the PTO bearing stand (#76) to the edge of the deck using 5/8" x 1 3/4" hex bolts, lock washers and hex nut. Mount the PTO Q-shaft on the cutter gearbox. Slide a 1 3/8" pillow bearing onto the shaft at the end of the Q-shaft. With the guard mount (#77) under the pillow bearing, bolt the pillow block to the stand using 5/8" x 2 1/4" hex bolts, lock washers and hex nuts. Connect the second PTO shaft to the splined end of the Q-shaft. Bolt the PTO guard (#78) to the stand using 1/4" x 1/2" hex bolts, lock washers and hex nuts.

**CHAIN KIT - ASSEMBLY INSTRUCTIONS**


All cutters have the required holes for mounting the chain kit. The use of this chain kit will help reduce the possibility of injury to persons or property by stopping many thrown objects.

1. Bolt the front chain holder (#1) to the front of the cutter using 1/2" x 1" hex bolts, lock washers and hex nuts.
2. Use 1/4" x 6 link chains (#7) at the front. A chain is pushed through each slot from underneath and a 3/8" rod is threaded through the top link of each chain. Hold rods in place using the cotter pins supplied. See parts list for correct length of rods.
3. Bolt the rear center (#3) and rear side (#14) chain holder to the rear of the cutter. Use 1/4" x 5 link chains (#8) along all rear edges. Thread rods as in front using lengths as shown in parts list.




**NOTE:** Washers are used to hold an extra chain at both ends of the rear center rod and at the inside end only of the rear side rods. These extra chains close the gap left at the corners where the chain holders meet.

## OPERATING INSTRUCTIONS

1. Connecting to tractor: All cutters are supplied with a standard 1 3/8" 6-spline yoke on the PTO shaft.  
 **Warning:** This cutter is designed to operate only with a 540 rpm PTO. After connecting cutter to tractor and before doing any cutting, check to see that the PTO shaft is not touching anywhere on the cutter when raising and lowering or when cornering.
2. PTO Shafts: Make sure the length of the PTO shaft is compatible with different working positions of the cutter. Carefully follow the lubrication chart supplied with the PTO shaft. When cutting, avoid joint angles over 35°. PTO shafts should be disengaged when turning sharp corners. Using tape or a bright colored marking pen, mark on the outer shields the position where the shaft is completely pushed together and the position where you have a 4" overlap. Watch these marks when moving the cutter through all possible operating angles to see that the PTO shaft stays within this range.

PTO shafts with shear pin - Loosen the outer shield on the implement end of the PTO and push the gearbox shaft through the end yoke. Using snap ring pliers, put the snap ring on the end of the gearbox shaft. This is what keeps the PTO shaft on if the shear pin breaks and the cutter should not be used without it. Insert a 1/2" x 3 1/2" Grade 2 bolt with a lock nut to act as shear pin and replace all shields.

PTO shafts with slip clutch - **Note:** All PTO shafts with a slip clutch are shipped with the slip clutch disengaged. There are four socket set screws on the inside of the clutch assembly which are all turned out as far as they go to engage the clutch. Disengage by turning set screws in fully. The clutch should slip if a hard object such as a stump or rock is hit by the blades.

-  **Caution:** Always be certain that the PTO shaft is disengaged and the tractor brakes are locked before making this or any other adjustment.

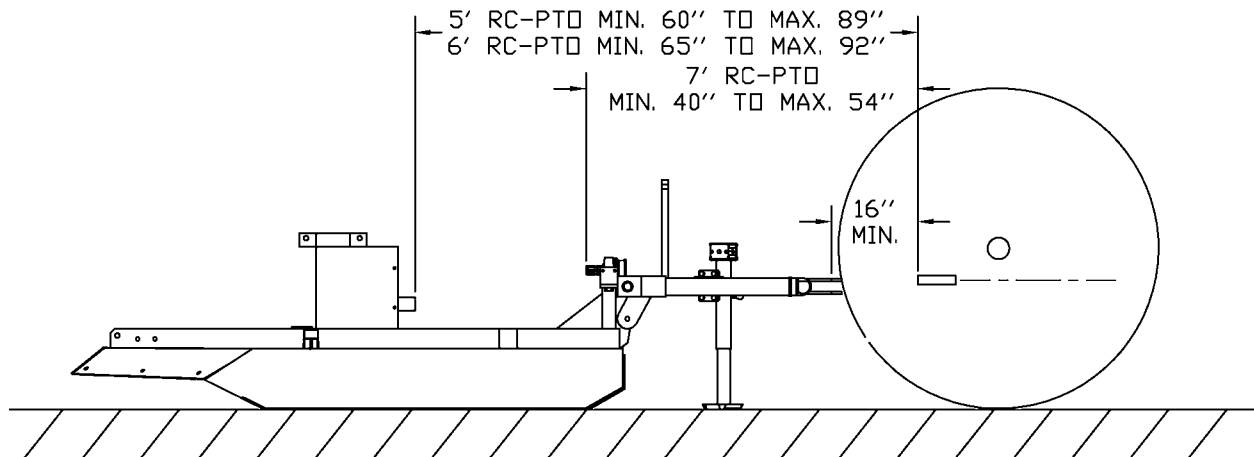
The clutch plates should be "burned" just before using the cutter in spring for the first time. This is done by disengaging the clutch and then engaging the PTO shaft for a few seconds till the clutch plates smoke. After this you engage the clutch again as described above. This is done because the plates may lock up during prolonged storage.

3. Operating tractor engine: Operate the tractor PTO at 540 rpm when doing normal cutting. If the forward speed is too high, a lower gear can be used.

**OPERATING INSTRUCTIONS – cont'd.**

4. Cutting: The cutter should be run with the front end a little low or just level for normal light cutting. For brush or dense tall weeds, running front end high may give a better shredding job. On rough ground, the front end will also tend to dig in less. The cutter can also be used to shred stubble or top vegetables prior to harvest.
5. 5' & 6' Trailing Models: The wheels supplied with the cutter are for towing at speeds of no more than 20 miles per hour. These wheels should be greased every time you use the cutter.

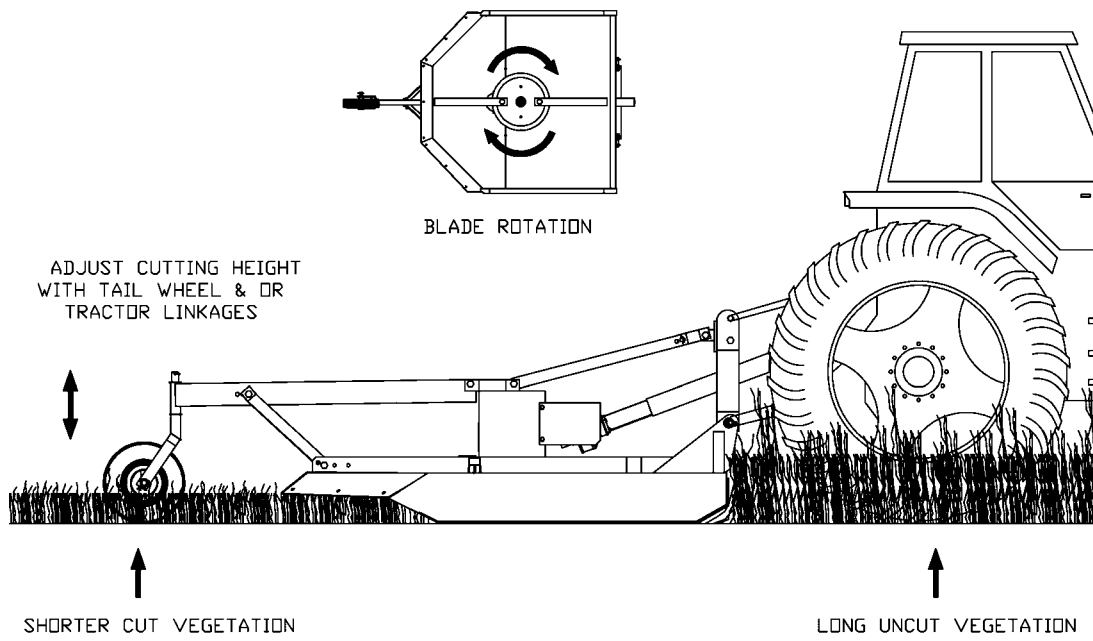
NOTE: TRACTOR HITCH OF LESS THAN 16" MIN CAN RESULT IN PTO BOTTOMING OUT.  
 (ASAE STD: TYPE 2 PTO (1 3/8"/1000 RPM) = TRACTOR HITCH DIM OF 16")



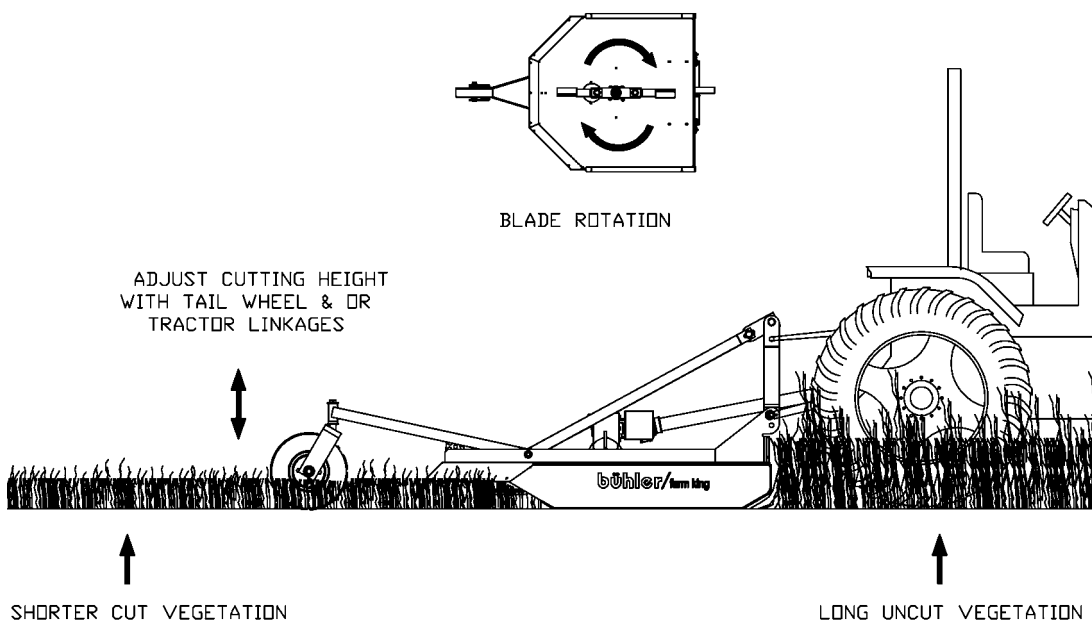
RC-19



THEORY OF OPERATIONS



RB-20



RC-21

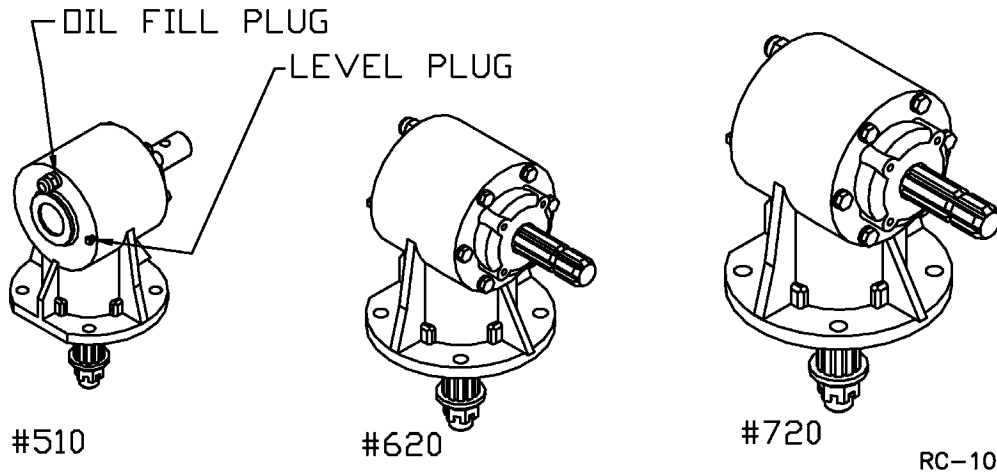
**MAINTENANCE**

**SERVICING INSTRUCTIONS**

LUBRICATION

1. Gearbox: The gearbox should be filled with SAE90 oil to the bottom edge of the lower oil plug when shipped. Check this before using the cutter and at regular intervals to see that this oil level is maintained.

GEARBOXES



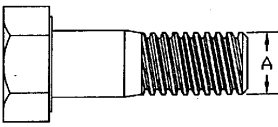
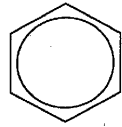
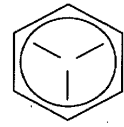

6. Grease wheels, tail wheel spindle sleeve, universal joints and shield bushings on the PTO shaft after every eight hours of use. Lubricate the telescoping PTO tube and the PTO quick release about every twenty hours of use.

3. Shielding: Always keep all shielding in place and repair or replace if damaged.

4. Blades: When replacing or grinding the cutting blades, both blades must be replaced or reground at the same time to maintain the proper balance in the cutting unit.

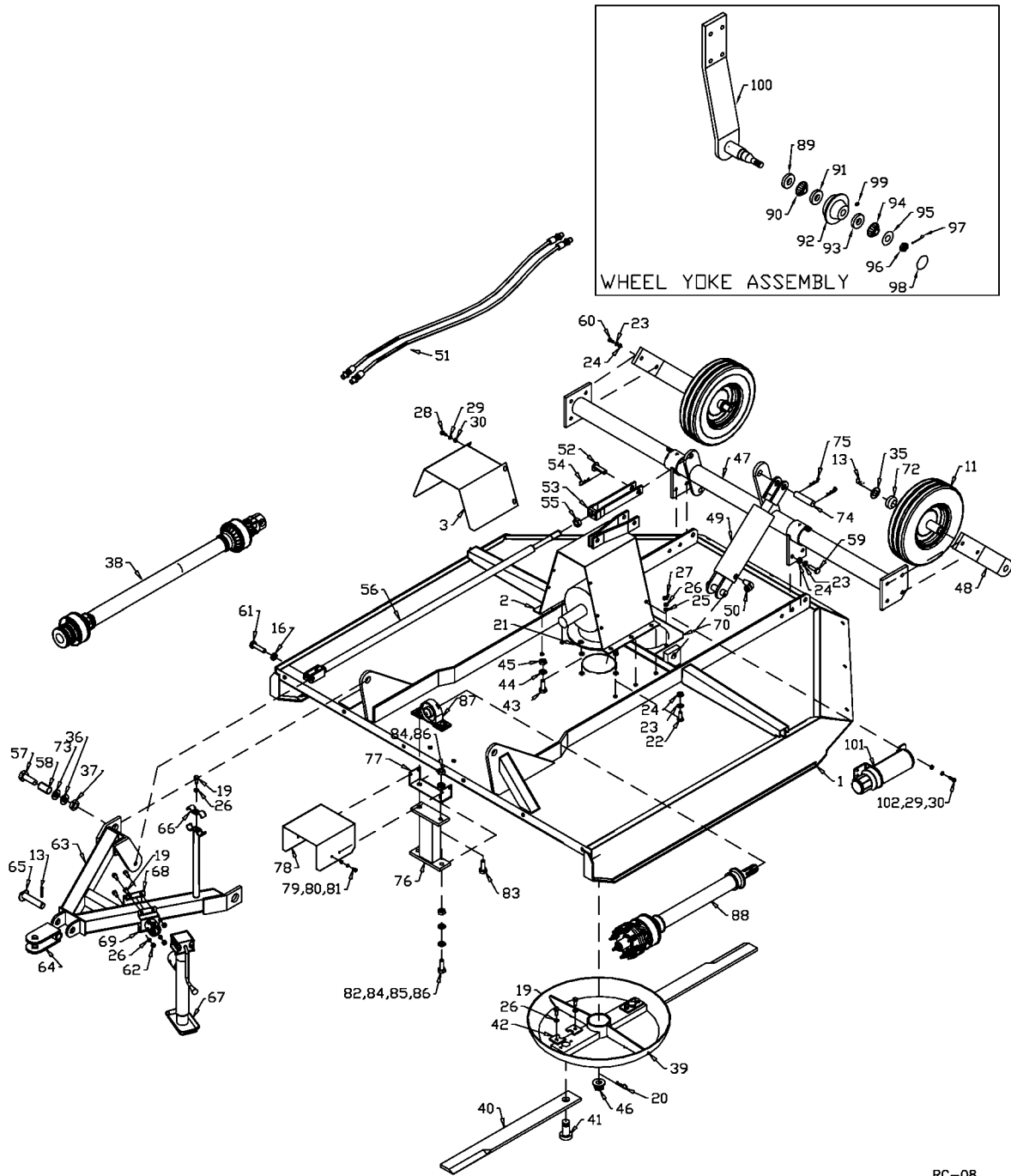
**! IMPORTANT:** Use Buhler replacement blades only. Using substitute blades may be dangerous. When changing blades, open the access door on the deck and take the screws out of the blade pin clips. The clips are then pulled out and the blade should fall down. Replacing the new or sharpened blades is done with the back of the mower raised and securely blocked so it will not fall. Bolt on the blade pin clips and close the access door.

5. PTO Shaft: To replace clutch lining on slip clutch PTO shafts, first disengage the clutch by turning the four set screws all the way in. Remove outside bolts from clutch assembly and replace clutch linings. When re-tightening bolts, stop when the clutch spacer starts to touch the clutch plates. You should be able to just move the spacer by hand when you have the correct bolt torque. Re-engage clutch after assembly is complete.

Bolt Torque						
						
Bolt Diameter	SAE2		SAE5		SAE8	
"A"	N.m	lb-ft	N.m	lb-ft	N.m	lb-ft
1/4"	8	6	12	9	17	12
5/16"	13	10	25	19	36	27
3/8"	27	20	45	33	63	45
7/16"	41	30	72	53	100	75
1/2"	61	45	110	80	155	115
9/16"	95	70	155	115	220	165
5/8"	128	95	215	160	305	220
3/4"	225	165	390	290	540	400
7/8"	230	170	570	420	880	650
1"	345	225	850	630	1320	970



ROTARY CUTTER – TRAILING TYPE



RC-08

**WHEN ORDERING PARTS**

Always give your dealer the Model, Color and Serial Number of your machine to assist him in ordering and obtaining the correct parts. Use the exploded view and tabular listing of the area of interest to exactly identify the required part.

**5', 6', & 7' SER 2 ROTARY CUTTER**

ITEM	PART #	DESCRIPTION
1	906417	Deck Weldment - 5'
	906419	Deck Weldment - 6'
	906420	Deck Weldment - 7'
2	906426	Center Mount - 5'
	906372	Center Mount - 6' & 7'
3	966502	PTO Guard - 5'
	966102	PTO Guard - 6' & 7'
4	906424	Lift Arm (25 1/4") - 5'
	906425	Lift Arm (32 1/2") - 6'
	906382	Lift Arm (38 1/4") - 7'
5	906380	Pivot Arm (Left) - 5', 6', & 7'
6	906381	Pivot Arm (Right) - 5', 6', & 7'
7	906389	A-Frame Hitch Weldment - 5'
	906390	A-Frame Hitch Weldment - 6' & 7'
8	966582	Tail Wheel Arm (48") - 5'
	966144	Tail Wheel Arm (54 1/2") - 6'
	905143	Tail Wheel Arm (63") - 7'
9	966508	Adjustment Arm (22 1/8") - 5'
	966105	Adjustment Arm (24 1/2") - 6'
	902318	Adjustment Arm (22 1/8") - 7'
10	966583	Rear Wheel Yoke - 5'
	966145	Rear Wheel Yoke - 6'
	905147	Rear Wheel Yoke - 7'
11	910032	16" Rubber Sectional Wheel - 5' & 6'
	966510	16" Solid Rubber Wheel - 5' & 6'
	905145	20 1/2" Solid Rubber Wheel W/ Brg. - 7'
12	966511	Axle Pin (1" x 7")
13	9812434	1/4" x 1 1/2" Cotter Pin
14	967110	1 1/4" ID x 14 Ga Narrow Rim Washer
15	84270	5/8" x 1 3/4" Hex Bolt - 5' & 6'
	84299	5/8" x 2" Hex Bolt - 7'
16	812482	5/8" Lock Nut
17	81671	5/8" x 4" Hex Bolt
18	84299	5/8" x 2" Hex Bolt
19	86170	3/8" x 1" Hex Bolt

20	966562	85mm x 50mm Cotter Pin
21	966108	Gearbox Assembly (Shear Pin) - 5'
	966109	Gearbox Assembly (Slip Clutch) - 6'
	966194	Gearbox Assembly (Slip Clutch) - 7'
22	81620	1/2" x 1 1/4" Hex Bolt
23	81637	1/2" Lock Washer
24	81636	1/2" Hex Nut
25	84000	3/8" ID Flat Washer
26	81593	3/8" Lock Washer
27	84217	3/8" Wing Nut
28	81549	5/16" x 3/4" Hex Bolt
29	81569	5/16" Lock Washer
30	81568	5/16" Hex Nut
31	965807	Top Link Pin (Cat.1) - 5'
	965910	Top Link Pin 1" x 5 1/4" (Cat.2) - 6' & 7'
32	965809	Lift Arm Pin w/ Nut & Washer (Cat.1) - 5'
	965926	Lift Arm Pin w/ Nut & Washer (Cat.2) - 6' & 7'
33	965911	Linch Pin 7/16"
34	906416	Swivel Bushing (1 1/4" O.D. x 7/16") - 5'
	906418	Swivel Bushing (1 1/2" OD x 9/16") - 6' & 7'
35	84522	1" S.A.E. Flat Washer
36	81723	7/8" Lock Washer - 5'
	981765	1 1/8" Lock Washer (pl) - 6' & 7'
37	81722	7/8" Hex Nut - 5'
	907310	1 1/8" Hex Nut - 6' & 7'
38	F0438	PTO Shaft (Shear Pin) - 5' w/ 3 PT. Hitch
	F0440	PTO Shaft (Slip Clutch) - 6' w/ 3 PT. Hitch
	F0441	PTO Shaft (Slip Clutch) - 6' Trailing Type
	F0439	PTO Shaft (Shear Pin) - 5' Trailing Type
	F0442	PTO Shaft (Slip Clutch) - 7' w/ 3pt. Hitch
	F0443	PTO Shaft (Slip Clutch) - 7' Trailing Type
39	966518	Stump Jumper - 5'
	966110	Stump Jumper - 6' & 7'
40	966519	Blade (24") - 5' (Standard)
	966111	Blade (30") - 6' (Standard)
	966192	Blade (36") - 7" (Standard)
	F9439	Blade (24 1/4") - 5' (Optional Low Cut) Set of 2
	F9440	Blade (30 1/4") - 6' (Optional Low Cut) Set of 2
41	966520	Blade Pin Clip
42	966521	Blade Pin Clip
43	84299	5/8" x 2" Hex Bolt - 5'
	81684	3/4" x 2 1/4" Hex Bolt - 6' & 7'
44	81677	5/8" Lock Washer - 5'
	81701	3/4" Lock Washer - 6' & 7'

45	81676	5/8" Hex Nut - 5'
	81700	3/4" Hex Nut - 6' & 7'
46	967217	1" Slotted Hex Nut - 5' & 6'
	907157	30M x 2 Slotted Hex Nut - 7'
47	966584	Swivel Tube Assembly (61 3/4") - 5'
	966146	Swivel Tube Assembly (73 3/4") - 6' & 7'
48	966523	Wheel Yoke Arm
49	24791	3" x 8" Stroke Hydraulic Cylinder - (Optional)
50	964650	1/2" x 90 Degree Street Elbow - 5' & 6'
51	114905	1/2" x 144" Hydraulic Hose - (Optional)
52	966524	Control Rod Pin (3/4" x 2 5/16")
53	966525	Control Rod Clevis - 5'
	902341	Control Rod Clevis - 6' & 7'
54	9812433	3/16" x 1 1/2" Cotter Pin
55	81700	3/4" Hex Nut - 5'
	967142	1" Hex Nut (pl) - 6' & 7'
56	966526	Level Control Rod (1.24" x 50 1/2") - 5'
	906122	Level Control Rod (1.66" x 59 1/4") - 6'
	901756	Level Control Rod (1.66" x 71 1/2") - 7'
57	966527	7/8" x 2 1/2" Bolt - 5'
	907308	1 1/8" X 2 1/2" Hex Bolt (pl) - 6' & 7'
58	966528	Swivel Bushing (1 1/4" OD x 5/8") - 5'
	906418	Swivel Bushing (1 1/4" OD x 9/16") - 6' & 7'
59	87553	1/2" x 1 3/4" Hex Bolt
60	81684	1/2" x 2 1/4" Hex Bolt
61	84335	5/8" x 2 1/2" Hex Bolt
62	81592	3/8" Hex Nut
63	906414	Hitch Weldment - 5'
	906415	Hitch Weldment - 6' & 7'
64	966530	Swivel Clevis
65	966531	Clevis Pin (1" x 4 9/16")
66	964638	Hose Clamp
67	960327	Jack
68	966532	Jack Clamp
69	966533	Jack Clamp w/ Pivot
70	966534	Access Door
71	81210	1/4" x 2" Cotter Pin
72	966563	Wheel Bushing - 5' & 6'
	89598	Bearing Ball - 7'
73	967140	1" x 10 Ga Narrow Rim Washer
	907309	1 1/8" x 10 Ga Narrow Rim Washer
74	103753	1" X 4" Clevis Pin
75	12779	Hair Pin Clip #9



7' Rotary Cutter (Trailing) - PTO Kit

76	902348	PTO Stand Weld't
77	902549	PTO Guard Mount
78	902550	PTO Guard
79	81523	1/4" x 1/2" Hex Bolt
80	81545	1/4" Lock Washer
81	81544	1/4" Hex Nut
82	84270	5/8" x 1 3/4" Hex Bolt
83	981664	5/8" x 2 1/4" Hex Bolt
84	81677	5/8" Lock Washer
85	812639	5/8" Flat Washer
86	81676	Hex Nut
87	967490	1 3/8" Pillow Baring
88	F9458	PTO W/Qshaft

Wheel Yoke Assembly

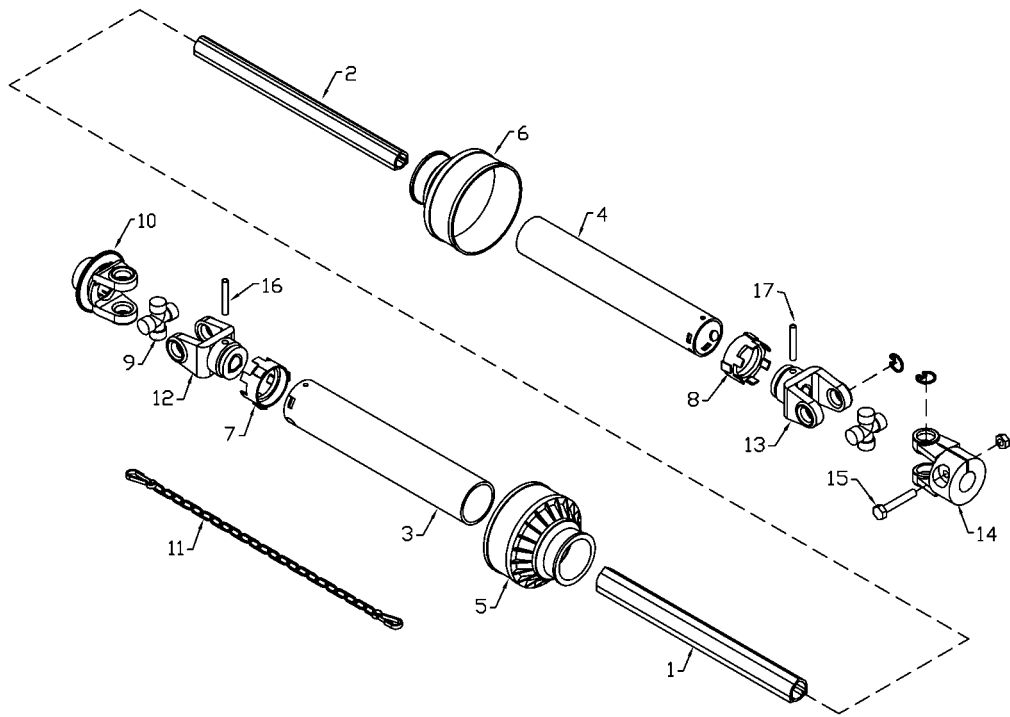
89	961891	Oil Seal CTD (SE11)
90	967712	Outer Bearing Cone (LM67048)
91	968405	Bearing Cup (LM11910)
92	105173	4-Bolt Hub (H411) w/ Cups CTD
93	967711	Outer Bearing Cup (LM67010)
94	968406	Outer Bearing Cone (LM11949)
95	9812416	Washer 3/4" SAE (br)
96		3/4" Slotted Hex Nut (br)
97	981309	1/8" x 1 1/4" Cotter Pin (br)
98	968409	Dust Cap (C12)
99	967900	Grease Fitting 1/4"
100	901051	Wheel Yoke 3/4" x 4" x 26"
	F9434	Wheel Yoke Assembly c/w Hub
101	907475	Manual (FK324) w/ Holder
	909277	Manual Hldr.
102	812026	5/16" x 1" Hex Bolt
103	811792	3/8" x 1 1/2" Hex Bolt
104	909703	23 Link Chain w/ Hook



**ROTARY CUTTER - CHAIN KIT**

<b>ITEM</b>	<b>PART #</b>	<b>DESCRIPTION</b>
1	966586	Front Chain Holder, 5' (60" Long)
	966147	Front Chain Holder, 6' (72" Long)
	966610	Front Chain Holder, 7' (84" Long)
2	966587	Front Chain Rod, 5' (3/8" x 30 1/2")
	966148	Front Chain Rod, 6' (3/8" x 36 3/8")
	966611	Front Chain Rod, 7' (3/8" x 42")
3	966588	Rear Center Chain Holder, 5' (29" Long)
	966149	Rear Center Chain Holder, 6' (32 1/4" Long)
	966612	Rear Center Chain Holder, 7' (33 1/2" Long)
4	966589	R.H. Rear Side Chain Holder, 5' (23" Long)
	966150	R.H. Rear Side Chain Holder, 6' (28" Long)
	966613	R.H. Rear Side Chain Holder, 7' (37 1/4" Long)
5	966587	Rear Center Chain Rod, 5' (3/8" x 30 1/2")
	966151	Rear Center Chain Rod, 6' (3/8" x 34")
	966614	Rear Center Chain Rod, 7' (3/8" x 33")
6	966590	Rear Side Chain Rods, 5' (3/8" x 24")
	966152	Rear Side Chain Rods, 6' (3/8" x 28 7/8")
	966615	Rear Side Chain Rods, 7' (3/8" x 37")
7	966591	1/4" x 6 Link Plated Chain (Front)
8	966596	1/4" x 5 Link Plated Chain (Rear)
9	81619	1/2" x 1" Hex Bolt
10	81637	1/2" Lock Washer
11	81636	1/2" Hex Nut
12	9812430	1/8" x 1" Cotter Pin
13	964001	7/16" I.D. x 10 Ga x 1" O.D. Flat Washer (pl)
14	966593	L.H. Rear Side Chain Holder, 5' (23" Long)
	966594	L.H. Rear Side Chain Holder, 6' (28" Long)
	966616	L.H. Rear Side Chain Holder, 7' (37 1/4" Long)

**MODEL #510 ROTARY CUTTER PTO SHAFT**



RC-11

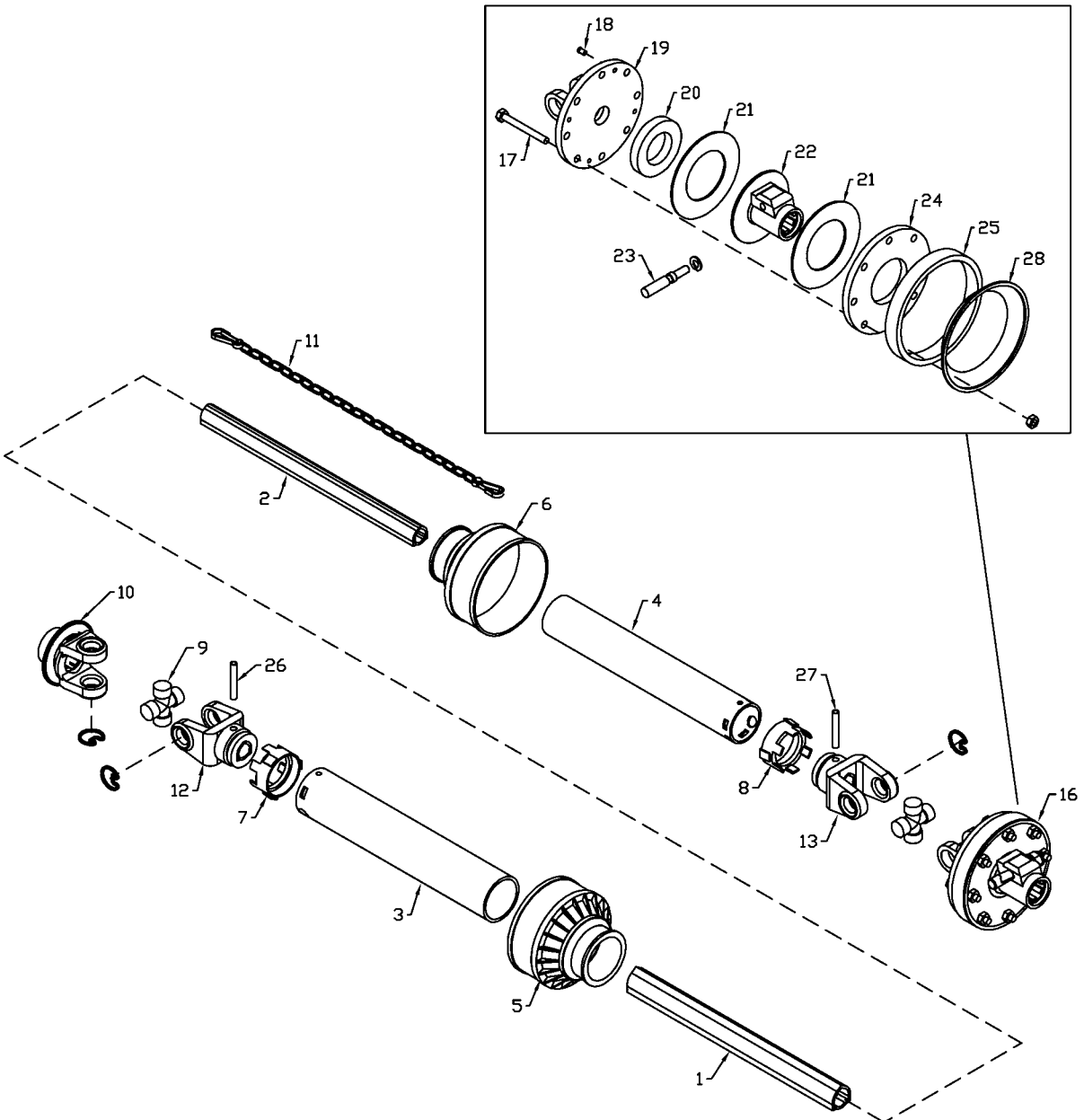
**Model #510 (Shear Pin) - Trailing Ser 2**

Item #	Part #	Description
	F0439	Shaft Complete
	907286	Tractor Half
	907287	Implement Half
1	936347	Outer Cardan Tube
2	936349	Inner Cardan Tube
3	966248	Outer Shield Tube
4	966249	Inner Shield Tube
5	966207	Outer Shield Cone
6	966208	Inner Shield Cone
7	966209	Outer Shield Collar
8	966210	Inner Shield Collar
9	966211	Repair Kit
10	907186	Quick Disconnect Yoke (6 Spline) 540rpm
11	936402	Safety Chain
12	936344	Outer Tube Yoke
13	936345	Inner Tube Yoke
14	966216	Shear Yoke
15	9812034	Shear Bolt 1/2" x 3 1/2" Gr 2
16	936350	Flexible Pin, Outer Yoke
17	936351	Flexible Pin, Inner Yoke

**Model #510 (Shear Pin) - 3-Point Hitch Ser 2**

<b>Item #</b>	<b>Part #</b>	<b>Description</b>
	F0438	Shaft Complete
	907292	Tractor Half
	907293	Implement Half
1	936346	Outer Cardan Tube
2	936348	Inner Cardan Tube
3	966205	Outer Shield Tube
4	966206	Inner Shield Tube
5	966207	Outer Shield Cone
6	966208	Inner Shield Cone
7	966209	Outer Shield Collar
8	966210	Inner Shield Collar
9	966211	Repair Kit
10	907186	Quick Disconnect Yoke (6 Spline) 540rpm
11	936402	Safety Chain
12	936344	Outer Tube Yoke
13	936345	Inner Tube Yoke
14	966216	Shear Yoke
15	9812034	Shear Bolt 1/2" x 3 1/2" Gr 2
16	936350	Flexible Pin, Outer Yoke
17	936351	Flexible Pin, Inner Yoke

MODEL #620 & #720 ROTARY CUTTER PTO SHAFT



RC-12

**Model #620 (Slip Clutch) 3-Point Hitch Ser 2**

<b>Item #</b>	<b>Part #</b>	<b>Description</b>
	F0440	Shaft Complete
	907295	Tractor Half
	907296	Implement Half
1	936354	Outer Cardan Tube
2	936356	Inner Cardan Tube
3	966230	Outer Shield Tube
4	966231	Inner Shield Tube
5	966232	Outer Shield Cone
6	936518	Inner Shield Cone
7	966234	Outer Shield Collar
8	966235	Inner Shield Collar
9	966236	Repair Kit
10	907294	Quick Disconnect Yoke (6-Spline) 540rpm
11	936402	Safety Chain
12	936352	Outer Tube Yoke
13	936353	Inner Tube Yoke
16	936517	Torque Limiter FT42R/6
17	936519	Screw
18	936512	Screw
19	936520	Clutch Plate
20	966223	Bushing
21	936521	Lining
22	936523	Hub
23	910-075	Pivot
24	936522	Thrust Plate
25	936526	Spacer
26	936358	Flexible Pin, Outer Yoke
27	936359	Flexible Pin, Inner Yoke
28	908265	Spring

**Model #620 (Slip Clutch) Trailing Ser 2**

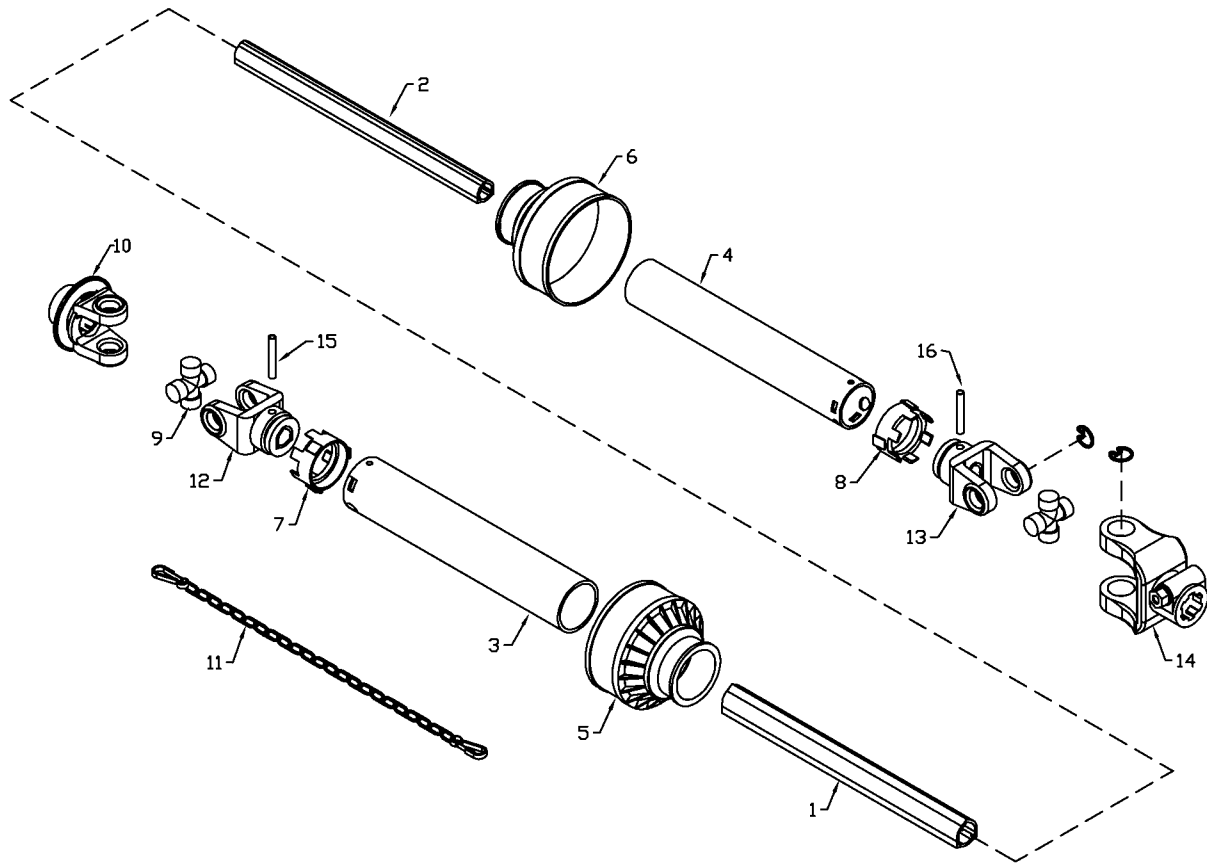
Item #	Part #	Description
	F0441	Shaft Complete
	907297	Tractor Half
	907298	Implement Half
1	936355	Outer Cardan Tube
2	936357	Inner Cardan Tube
3	966256	Outer Shield Tube
4	966257	Inner Shield Tube
5	966232	Outer Shield Cone
6	936518	Inner Shield Cone
7	966234	Outer Shield Collar
8	966235	Inner Shield Collar
9	966236	Repair Kit
10	907294	Quick Disconnect Yoke (6-Spline) 540rpm
11	936402	Safety Chain
12	936352	Outer Tube Yoke
13	936353	Inner Tube Yoke
16	936517	Torque Limiter FT42R/6
17	936519	Screw
18	936512	Screw
19	936520	Clutch Plate
20	966223	Bushing
21	936521	Lining
22	936523	Hub
23	910-075	Pivot
24	936522	Thrust Plate
25	936526	Spacer
26	936358	Flexible Pin, Outer Yoke
27	936359	Flexible Pin, Inner Yoke
28	908265	Spring



**Model #720 (Slip Clutch) 3-Point Hitch Ser 2**

Item #	Part #	Description
	F0442	Shaft Complete
	907300	Tractor Half
	907301	Implement Half
1	936442	Outer Cardan Tube
2	936443	Inner Cardan Tube
3	936445	Outer Shield Tube
4	936446	Inner Shield Tube
5	966232	Outer Shield Cone
6	936518	Inner Shield Cone
7	910-046	Outer Shield Collar
8	910-055	Inner Shield Collar
9	910-036	Repair Kit
10	907299	Quick Disconnect Yoke (6-Spline)
11	936402	Safety Chain
12	910-039	Outer Tube Yoke
13	910-048	Inner Tube Yoke
16	936528	Torque Limiter FT42/6
17	936519	Screw
18	936512	Screw
19	936529	Clutch Plate
20	966223	Bushing
21	936521	Lining
22	936523	Hub
23	910-075	Pivot
24	936522	Thrust Plate
25	936526	Spacer
26	910-040	Flexible Pin, Outer Yoke
27	910-042	Flexible Pin, Inner Yoke
28	936524	Spring Set

#720 TRAILING ROTARY CUTTER PTO SHAFT

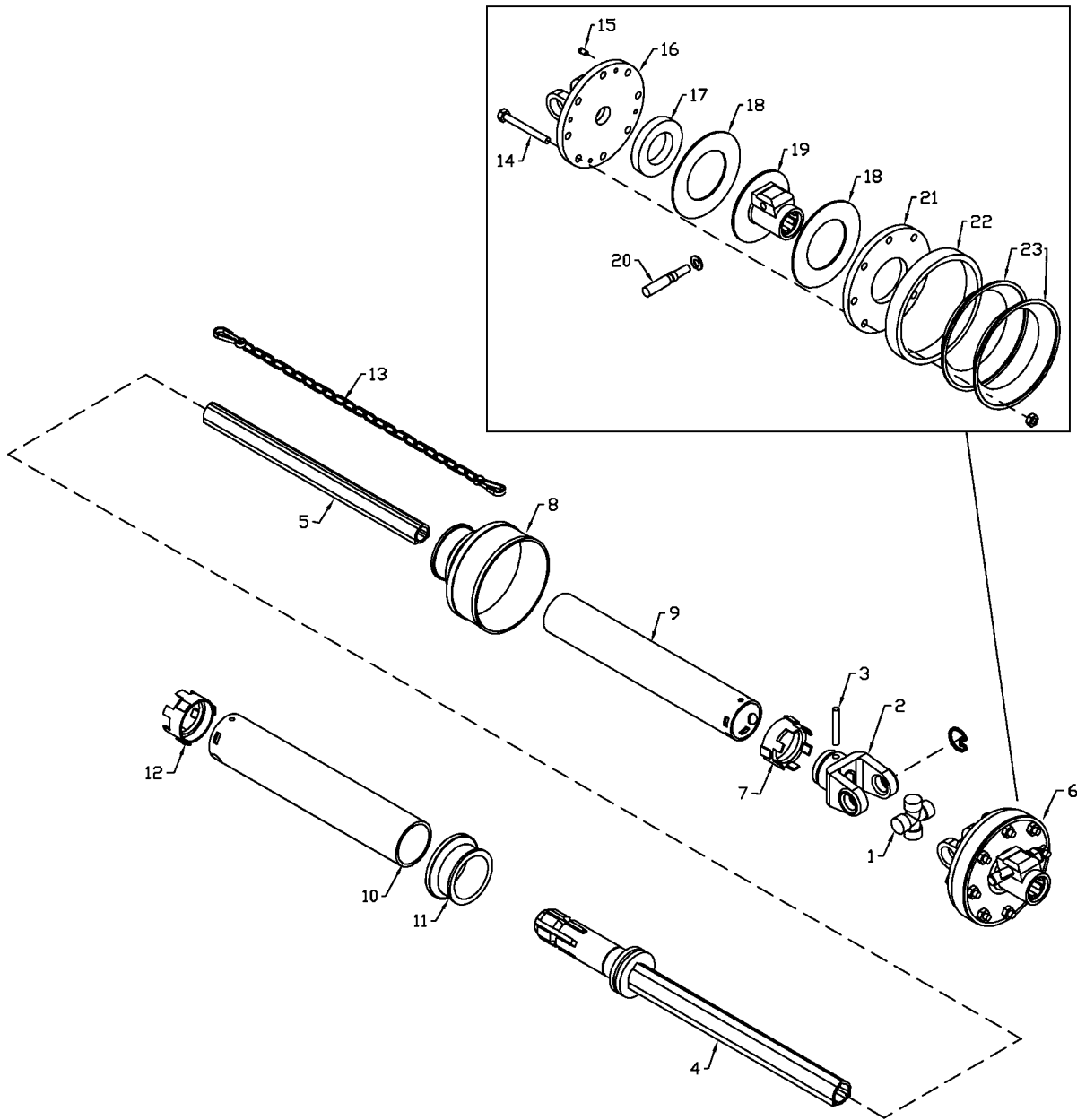


RC-13

**Model #720 (Slip Clutch) Trailing Ser 2**

<b>Item #</b>	<b>Part #</b>	<b>Description</b>
	F0443	Shaft Complete
	907302	Tractor Half
	907303	Implement Half
1	936486	Outer Cardan Tube
2	936487	Inner Cardan Tube
3	936490	Outer Shield Tube
4	936491	Inner Shield Tube
5	966232	Outer Shield Cone
6	936492	Inner Shield Cone
7	910-046	Outer Shield Bearing
8	910-055	Inner Shield Bearing
9	910-036	Repair Kit
10	907299	Quick Disconnect Yoke (6-Spline) 540rpm
11	936402	Safety Chain
12	910-039	Outer Tube Yoke
13	910-048	Inner Tube Yoke
14	936489	Clamp Yoke (6 Spline)
15	910-040	Flexible Pin, Outer Yoke
16	910-042	Flexible Pin, Inner Yoke

MODEL #720 TRAILING ROTARY CUTTER Q-SHAFT

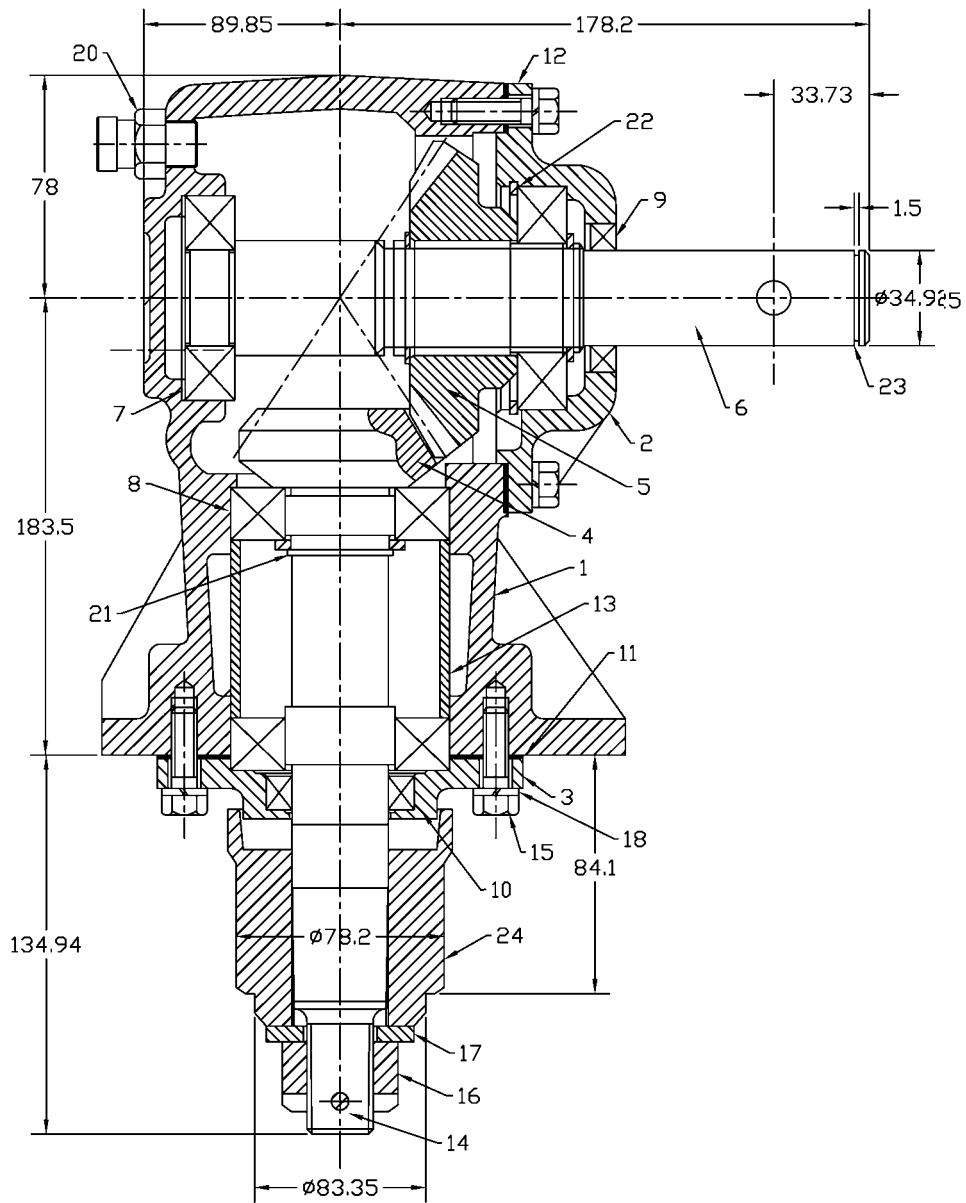


RC-14

**Model #720 (Q-Shaft w/Slip Clutch) - Trailing Ser 2**

<b>Item #</b>	<b>Part #</b>	<b>Description</b>
	F9458	Shaft Complete
	936501	Tractor Half
	936561	Implement Half
1	910-036	Repair Kit
2	910-039	Outer Tube Yoke
3	910-040	Flexible Pin, Outer Yoke
4	936496	Splined Shaft
5	936497	Outer Tube
6	936528	Torque Limiter FT42/6
7	910-046	Outer Shield Bearing
8	966232	Outer Shield Cone
9	936498	Outer Shield Tube
10	936499	Inner Shield Tube
11	936500	Inner Shield Collar
12	910-055	Inner Shield Bearing
13	936402	Safety Chain
14	936519	Clutch Screw
15	936512	Set Screw
16	936529	Clutch Plate
17	966223	Antifriction Sleeve
18	936521	Lining
19	936523	Hub
20	910-075	Retaining Bolt
21	936522	Thrust Plate
22	936526	Spacer
23	936524	Spring Set

MODEL #510 ROTARY CUTTER GEARBOX

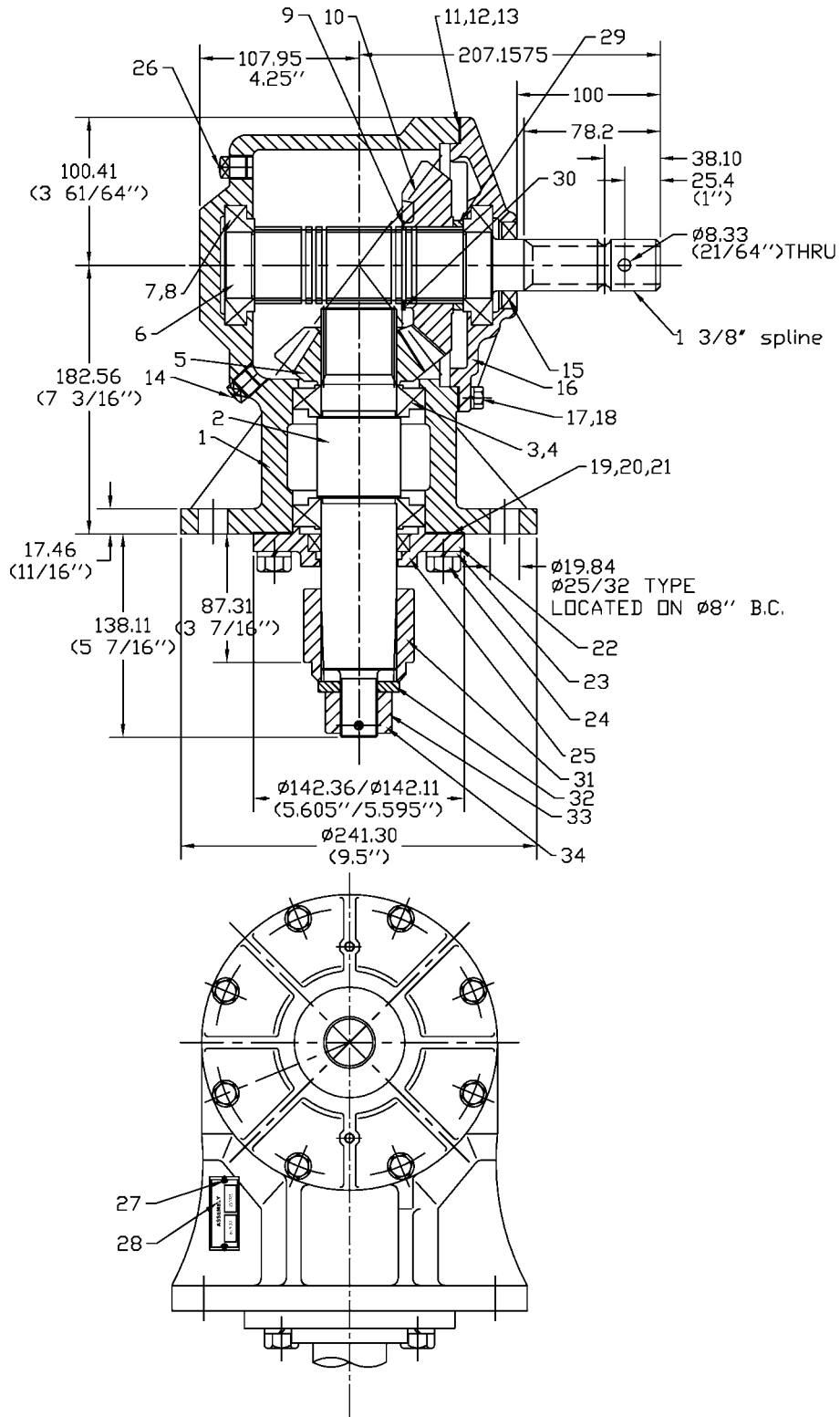


RC-15

**Model #510 Gearbox Ser 1 & 2**

<b>Item #</b>	<b>Part #</b>	<b>Description</b>
	966108	Gearbox Assembly
1	914018	Housing
2	914006	Cap - Input
3	914015	Cap - Output
4	904022	Gear - Output, w/Shaft 15T
5	904021	Gear - Input 22T
6	966824	Shaft - Input 1 3/8"
7	966542	Bearing - Ball 207K
8	966555	Bearing - Ball 208K
9	914005	Seal - Input 3LIP
10	914013	Seal - Output 3LIP
11	914019	Gasket - Output Cap
12	914007	Gasket - Input Cap
13	914001	Spacer
14	966562	Cotter Pin 5 x 50
15	86171	3/8" x 1 1/4" Hex Bolt
16	967217	1" Slotted Hex Nut
17	904028	Washer - Blade Hub 1"
18	81593	3/8" Lockwasher
19	914016	1/8" Sq Head Pipe Plug
20	905429	1/2" Vent Plug
21	914008	Retaining Ring Eaton 916R
22	914003	Retaining Ring
23	966545	Snap Ring
24	904023	Blade Hub

MODEL #620 ROTARY CUTTER GEARBOX

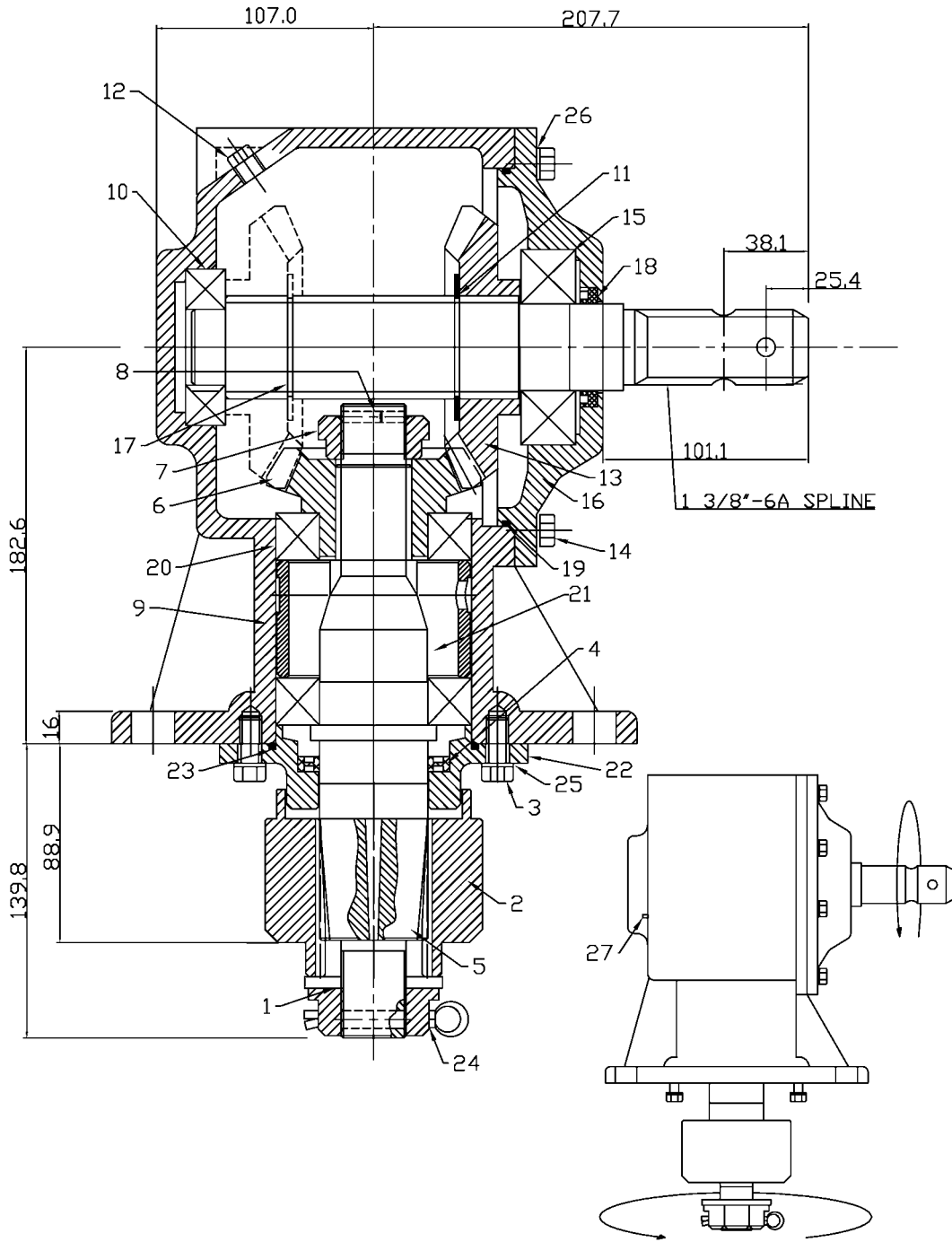




**Model #620 Gearbox**

<b>Item #</b>	<b>Part #</b>	<b>Description</b>
	966109	Gearbox Assembly
1	966825	Housing
2	966830	Output Shaft
3	966832	Bearing Cone 368
4	966835	Bearing Cup 362
5	966828	Output Gear 13T
6	966831	Input Shaft
7	966833	Bearing Cone LM603049
8	966834	Bearing Cup LM603014
9	966846	Retaining Ring
10	966829	Input Gear 19T
11	966838	Input Cap Gasket 0.30mm
12	966839	Input Cap Gasket 0.15mm
13	966840	Input Cap Gasket 0.10mm
14	906427	1/4" Pipe Plug
15	966837	Input Seal
16	966827	Input Cap
17	811927	M10 X 30 Hex Bolt
18	81593	3/8" Lockwasher
19	966841	Output Cap Gasket 0.30mm
20	966842	Output Cap Gasket 0.15mm
21	966843	Output Cap Gasket 0.10mm
22	966826	Output Cap
23	81657	9/16" Lockwasher
24	812136	14mm x 35mm Hex Bolt
25	966836	Output Seal
26	906428	Vent Plug .25"
27	906429	Rivet
28	906430	I.D. Tag
29	966844	Spacer
30	906431	Spacer
31	966866	Blade Hub
32	904028	1" Blade Hub Washer
33	967217	1" Slotted Hex Nut
34	966562	Cotter Pin 5mm x 50mm

MODEL #720 ROTARY CUTTER GEARBOX



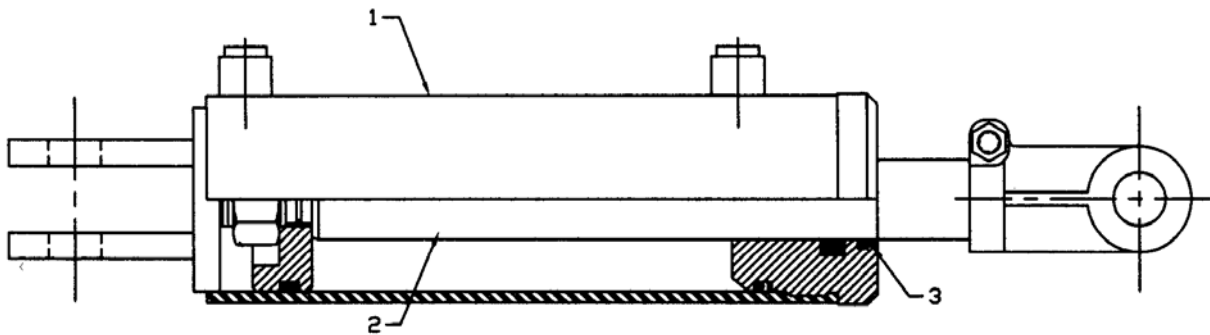
RC-17

**Model #720 Gearbox**

<b>Item #</b>	<b>Part #</b>	<b>Description</b>
	966194	Gearbox Assembly
1	907157	Slotted Hex Nut M30 x 2
2	966866	Blade Hub
3	966867	Bolt M10 x 22
4	966868	Seal 50 x 70 x 8
5	966869	Output Shaft
6	966870	Bevel Gear - 14 Tooth
7	966874	Circlip
8	966872	Split Pin 4 x 55
9	966873	Housing
10	967308	Taper Bearing Cone & Cup 30207
11	966871	Circlip
12	966875	Vent Plug 3/8"
13	966876	Bevel Gear - 17 Tooth
14	966877	Bolt M8 x 25
15	966878	Taper Bearing Cone & Cup 30308
16	966879	End Cap
17	966880	Input Shaft
18	966881	Double Lip Seal 40 x 70 x 8
19	966882	O-Ring 3.1 x 155
20	966122	Taper Bearing Cone & Cup 30210A
21	966883	Sleeve
22	966884	Output Cap
23	966885	O-Ring 5 x 90
24	966886	Split Pin 5 x 55
25	966887	M10 Lockwasher
26	81569	M8 Lockwasher (sub 5/16")
27	966888	Level Plug

3 x 8 CYLINDER ASSEMBLY

Item #	Part #	Description
	24791	Cylinder Complete
1	24827	Tube Weldment
2	113934	Piston Rod 1.5 Dia
3	X2415	Seal Kit



24791

**SHIPPING KIT AND BUNDLE NUMBERS**

<b>QUANTITY</b>	<b>BUNDLE NO.</b>	<b>DESCRIPTION</b>
<b>Y510S MODEL #510 ROTARY CUTTER (THREE POINT)</b>		
1	F0185	Deck Assembly w/Shear Pin
1	F9427	Wheel & Yoke
1	F0334	Hitch & Adj. Arms
1	F0188	Tail wheel Arm & Lift Arms
1	F0438	Shear Pin PTO
1	F0179	Carton
<b>Y510T MODEL #510 ROTARY CUTTER (TRAILING)</b>		
1	F0185	Deck Assembly w/Shear Pin
2	F9416	Wheel & Yoke
1	F0177	Tongue Assembly
1	F9431	Swivel Tube & Rod
1	F0439	Shear Pin PTO
1	F0180	Carton
<b>Y620S MODEL #620 ROTARY CUTTER (THREE POINT)</b>		
1	F0186	Deck Assembly w/Slip Clutch
1	F9428	Wheel & Yoke
1	F0335	Hitch & Adj. Arms
1	F0189	Tail wheel Arm & Lift Arms
1	F0440	Slip Clutch PTO
1	F0181	Carton
<b>Y620T MODEL #620 ROTARY CUTTER (TRAILING)</b>		
1	F0186	Deck Assembly w/Slip Clutch
2	F9416	Wheel & Yoke
1	F0178	Tongue Assembly
1	F0138	Swivel Tube & Rod
1	F0441	Slip Clutch PTO
1	F0182	Carton

**SHIPPING KIT AND BUNDLE NUMBERS – cont'd.**

<b>QUANTITY</b>	<b>BUNDLE</b>	<b>DESCRIPTION</b>
<b>Y720S MODEL #720 ROTARY CUTTER (THREE POINT)</b>		
1	F0037	Wheel & Yoke
1	F0187	Deck Assembly w/Slip Clutch
1	F0336	Hitch & Adjustment Arms
1	F0190	Tail wheel Arm & Lift Arms
1	F0183	Carton
1	F0442	Slip Clutch PTO
<b>Y720T MODEL #720 ROTARY CUTTER (TRAILING)</b>		
2	F7110	15" x 4 1/2" x 4 Bolt Wheel
1	F0178	Tongue Assembly
2	F9434	Yoke & 4 Bolt Hub
1	F0187	Deck Assembly w/Slip Clutch
1	F9453	Swivel Tube & Rod
1	F0184	Carton of Parts
1	F0443	PTO Shaft w/o Slip Clutch
1	F9458	PTO Q-Shaft w/ Slip Clutch

**OPTIONAL BUNDLE NUMBERS**

The following is a list of options available for the Kits listed above.

F9415 Jack c/w mounting plate  
 F630 Hydraulic Cylinder and Hose Kit

Y514 #510 3-point Hitch Kit  
 Y625 #620 3-point Hitch Kit  
 Y725 #720 3-point Hitch Kit

Y515 #510 Trailing Kit  
 Y626 #620 Trailing Kit  
 Y727 #720 Trailing Kit

Y517 #510 Trailing Kit c/w 15" rims (less tires)  
 Y627 #620 Trailing Kit c/w 15" rims (less tires)

Y207 Implement Tires 6.70 x 15" set of two

**Y524 OPTIONAL CHAIN KIT FOR #510 CUTTERS**

1 F9435 Plates and Rods  
 1 F9436 Carton

**Y624 OPTIONAL CHAIN KIT FOR #620 CUTTERS**

1 F9437 Plates and Rods  
 1 F9438 Carton

**Y724 OPTIONAL CHAIN KIT FOR #720 CUTTERS**

1 F9498 Carton  
 1 F9499 Plates and Rods

**OPTIONAL LOWER CUTTING BLADES:**

F9439 Set of 2-24" Blades for 5' Rotary Cutter  
 F9440 Set of 2-30" Blades for 6' Rotary Cutter

## NOTES



## NOTES

## NOTES



## DIVISION LOCATIONS

Farm King Division  
301 Mountain Street S.  
Morden, MB R6M 1X7  
Ph.: (204) 822-4467  
Fax: (204) 822-6348

Allied/Inland Division  
1260 Clarence Avenue  
Winnipeg, MB R3T 1T2  
Ph.: (204) 284-6100  
Fax: (204) 477-2325

B.I.I. Division  
1330 43<sup>rd</sup> Street N.W.  
Fargo, ND 58102  
Ph: (701) 282-7014  
Fax: (701) 282-5865

## U.S. WAREHOUSES

AR, West Memphis  
(870) 732-3132

GA, Stone Mountain  
(770) 908-9439

ID, Meridian  
(208) 887-6006

IN, Clarksville  
(812) 284-3376

KS, Wichita  
(316) 265-9577

MN, Lakeville  
(952) 469-5267

MT, Billings  
(406) 248-7771

ND, Bismarck  
(701) 223-1886

ND, Fargo  
(701) 282-7003

NE, Blair  
(402) 426-8211

OH, Youngstown  
(330) 793-0862

OR, Beaverton  
(503) 641-1865

SD, Huron  
(605) 352-8616

TX, Houston  
(713) 928-2632

UT, Salt Lake City  
(801) 972-4321

WI, Portage  
(608) 742-1370

## CANADIAN WAREHOUSES

B.C., Abbotsford  
(604) 864-2665

AB, Edmonton  
(780) 962-6991

SK, Regina  
(306) 781-2300

ON, Woodstock  
(519) 539-0435

QC, Dorion  
(450) 455-4840

## OFFSHORE WAREHOUSES

Burando Hill  
Katanning  
W. Australia  
011-618-98-214422

Chihuahua, Mexico  
011-52-158-90306

John Kerr Equipment Ltd.  
Wilcoxholm Farm  
Linlithgow, W. Lothian  
Scotland  
011-441-506-842280

Skovde, Sweden  
011-46-500-452651

Naestved, Denmark  
011-45-557-29511

# bühler

**Buhler Manufacturing**

**301 Mountain Street S.  
Morden MB.  
R6M 1X7  
Ph.: (204) 822-4467  
Fax: (204) 822-6348  
[www.buhler.com](http://www.buhler.com)**