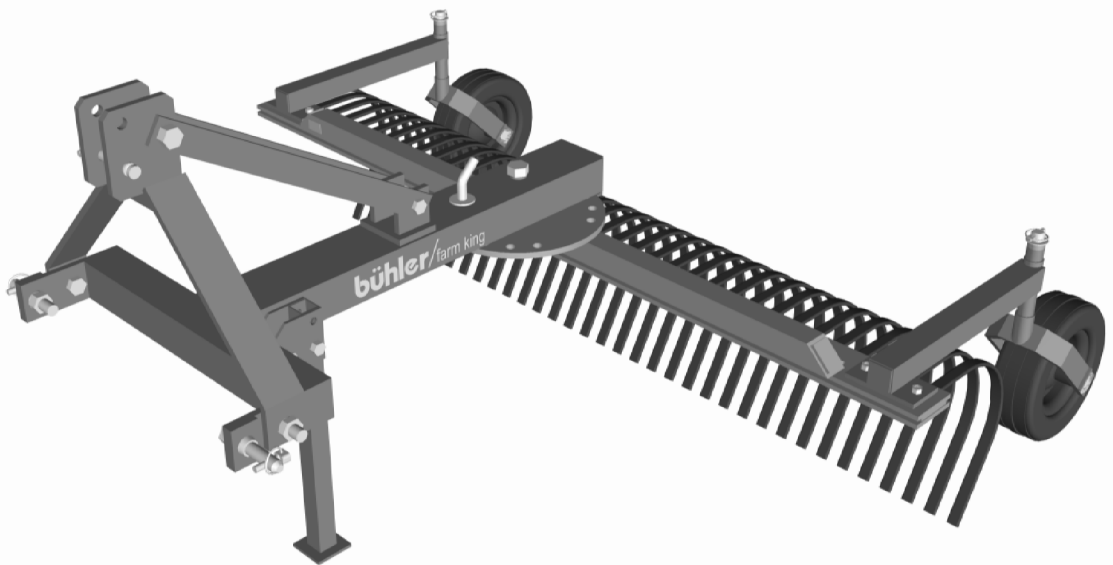


bühler

farm king



60", 72", 84" & 90" Land Rake

Operator's and Parts Manual
FK349

2009

TABLE OF CONTENTS

DESCRIPTION	PAGE
WARRANTY	1
INTRODUCTION	2
SAFETY	2
Safety	2
General Safety	3
Start Up Safety	3
Operation Safety	3
Transport Safety	3
Service and Maintenance Safety	3
Storage Safety	4
Safety Signs	4
Safety Sign Installation	4
ASSEMBLY	4
Assembly Instructions	4
Start-Up Instructions	5
OPERATION	5
Theory of Operation of Land Rake	5
Operating Instructions	6
Adjustment Instructions	6
MAINTENANCE	6
Bolt Torque	6
PARTS DRAWINGS	7
Land Rake Drawing	7
Land Rake Parts List	8
SHIPPING KIT AND BUNDLE NUMBERS	10

WARRANTY POLICY

Buhler Manufacturing products are warranted for a period of twelve (12) months (90 days for commercial application) from original date of purchase, by original purchaser, to be free from defects in material and workmanship under correct, normal agricultural use and proper applications.

Buhler Manufacturing's obligations under this warranty shall be limited to the repair or exchange, at Buhler Manufacturing's option, of any Buhler Manufacturing product or part which proves to be defective as provided. Buhler Manufacturing reserves the right to either inspect the product at the buyer's location or have it returned to the factory for inspection.

The above warranty does not extend to goods damaged or subject to accident, abuse or misuse after shipment from Buhler Manufacturing's factory, nor to goods altered or repaired by anyone other than an authorized Buhler Manufacturing representative.

Buhler Manufacturing makes no Express Warranties other than those, which are specifically described. Any description of goods, including any references and specifications in catalogues, circulars and other written material published, is for the sole purpose of identifying goods and shall conform to such descriptions. Any sample or model is for illustrative purposes only and does not create an Express Warranty that the goods conform to sample or model shown.

The purchaser is solely responsible for determining suitability of goods sold. This warranty is expressly in lieu of all other warranties expressed or implied. Buhler Manufacturing will in no event be liable for any incidental or consequential damages whatsoever. Nor for any sum in excess of the price received for the goods for which liability is claimed.

WARRANTY CLAIMS:

Warranty requests must be prepared on Buhler Manufacturing Warranty Claim Forms with all requested information properly completed. Warranty Claims must be submitted within a thirty (30) day period from date of failure repair.

WARRANTY LABOR:

Any labor subject to warranty **must** be authorized by Buhler Manufacturing. The labor rate for replacing defective parts, where applicable, will be credited at 100% of the dealer's posted shop rate. Defective parts will receive an extra 10% discount to assist with freight or other incidental costs.

GOVERNMENT LEGISLATION:

Warranty terms and conditions are subject to Provincial or State legislation.

IMPORTANT FACTS:

Buckets and Bucket Tines Carry No Warranty
Bent Spears Carry No Warranty
Snowblower Fan Shafts Carry No Warranty
Mower Blades Carry No Warranty
Portable Auger Parts Have Two (2) Year Warranty
Loader Parts Have Two (2) Year Warranty

IMPORTANT NOTE: This warranty does not apply to rentals

INTRODUCTION

The Buhler Farm King Land Rake is available in 5', 6', 7' & 8' models. The rake swivels to five positions. The shank bar has welded wedges to maintain spacing. Optional gauge wheels are available. This product is also quick hitch compatible. Keep this manual handy for frequent reference. All new operators or owners must review the manual before using the equipment and at least annually thereafter. Contact your Buhler Dealer if you need assistance, information, or additional copies of the manual. Visit our website at www.buhler.com for a complete list of dealers in your area.

The directions left, right, front and rear, as mentioned throughout this manual, are as seen facing in the direction of travel of the implement.

SAFETY

Remember, YOU are the key to safety. Good safety practices not only protect you, but also the people around you. Make these practices a working part of your safety program. Be certain that everyone operating this equipment is familiar with the recommended operating and maintenance procedures and follows all the safety precautions. Most accidents can be prevented. Do not risk injury or death by ignoring good safety practices.

The alert symbol is used throughout this manual. It indicates attention is required and identifies hazards. Follow the recommended precautions.



The safety alert symbol means...

ATTENTION! BECOME ALERT! YOUR SAFETY IS INVOLVED!



CAUTION

The caution symbol indicates a potentially hazardous situation that, if not avoided, may result in minor or moderate injury. It may also be used to alert against unsafe practices.



WARNING

The Warning Symbol indicates a potentially hazardous situation that, if not avoided, could result in death or serious injury, and includes hazards that are exposed when guards are removed. It may also be used to alert against unsafe practices.



DANGER

The Danger Symbol indicates an imminently hazardous situation that, if not avoided will result in death or serious injury. This signal word is to be limited to the most extreme situations, typically for machine components that, for functional purposes, cannot be guarded.

GENERAL SAFETY INSTRUCTIONS

Have a first-aid kit available for use and know how to use it. Have a fire extinguisher available, stored in a highly visible location, and know how to use it. Wear appropriate protective gear. This list may include but is not limited to:

- hard hat
- protective shoes with slip resistant soles
- protective glasses or goggles
- heavy gloves
- wet weather gear
- hearing protection
- respirator or filter mask

Read and understand the Operator's Manual and all safety signs before operating, servicing, adjusting, repairing, or unplugging the equipment. Do not attempt any unauthorized modifications to your Buhler product as this could affect function or safety, and could affect the life of the equipment. Inspect and clean the working area before operating. Ensure bystanders are clear of the area before operating.

START UP SAFETY

Do not let inexperienced operators or children run this equipment. Operate only with ROPS and seatbelt equipped tractors.

OPERATION SAFETY

Do not permit riders. Do not wear loose fitting clothing during operation.

TRANSPORT SAFETY

Review Transport Safety instructions in tractor manual before moving. Check with local authorities regarding transport on public roads. Obey all applicable laws and regulations. Make sure the SMV (Slow Moving Vehicle) emblem and all the lights and reflectors that are required by the local highway and transport authorities are in place, are clean, and can be seen clearly by all overtaking and oncoming traffic. Always travel at a safe speed.

SERVICE AND MAINTENANCE SAFETY

Stop engine, set brake, remove ignition key, and wait for all moving parts to stop before servicing, adjusting, repairing, or unplugging. Support the equipment with blocks or safety stands before working beneath it.

Follow good shop practices including:

- keep service area clean and dry
- be sure electrical outlets and tools are properly grounded
- use adequate light for the job

Use only tools, jacks, and hoists of sufficient capacity for the job.

Use heavy leather gloves to handle sharp objects.

STORAGE SAFETY

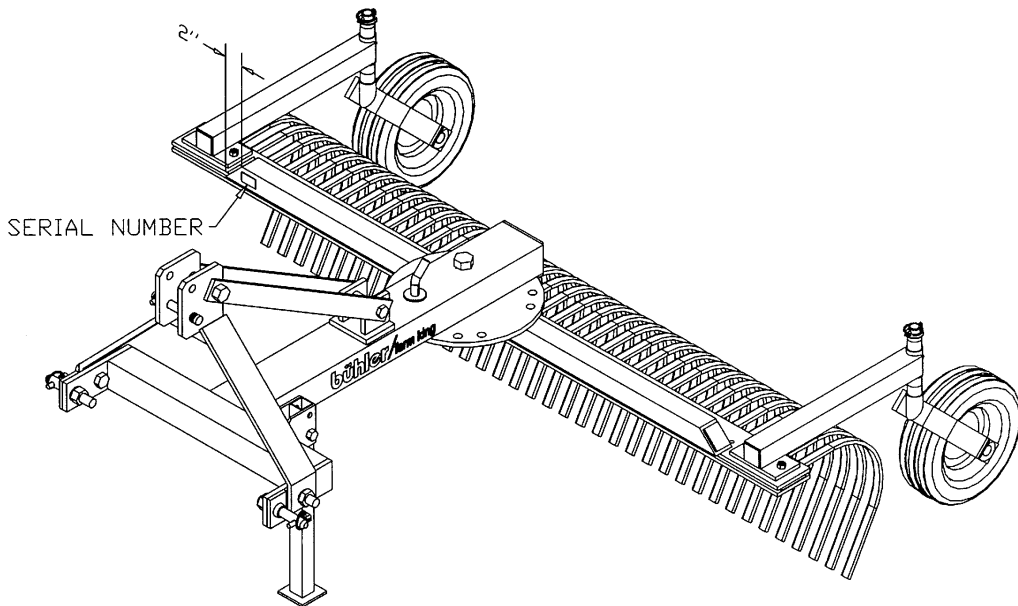
Store the unit in an area away from human activity.
 Do not permit children to play on or around the stored machine.
 Support the frame on stands and blocks to provide a secure base.

SAFETY SIGNS

The following illustration shows the approximate location and detail of safety signs. Keep all safety signs clean and legible and replace any that are damaged or missing. When original parts are replaced, any safety signs affixed to those parts should be replaced as well. Replacement safety signs are available from your local dealer.

INSTALLATION

To install safety signs, ensure the installation area is clean and dry. Decide on the exact position before you remove the backing paper. Remove the smallest portion of the split backing paper and align over the specified area. Carefully press in place. Slowly peel back the remaining paper and smooth the remaining portion in place. Small air pockets can be pierced with a pin and smoothed out.



RR-02

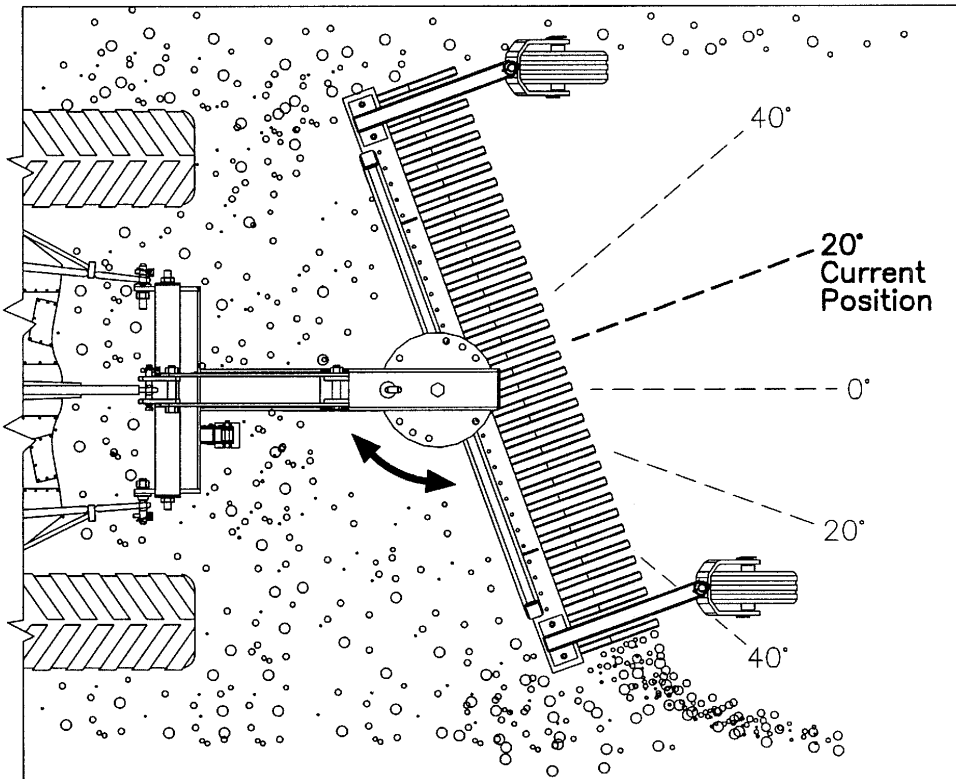
ASSEMBLY

1. Assemble the hitch (#1) and hitch brace (#2) on the t-frame using hardware supplied as shown in drawing.
2. The land rake frame is mounted on the t-frame with a 1" x 5" bolt (#17) on which the frame turns. The turntable pin (#8) locks the rake in place at the desired angle.

START-UP

1. Park on a dry level area clear of debris.
2. Stop engine and set brake after lowering the three point arms so they line up with the mounting pins on the blade.
3. Mount the lower lift pins first and then adjust the rake angle using the turnbuckle on the top link. Check that all the clips holding on the three point pins are securely in place.
4. The land rake is designed to be used on tractors with up to 35 horsepower with a category 1 3-point hitch.

**OPERATION
THEORY OF OPERATION**



RR-03

OPERATION

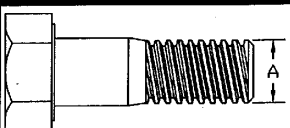
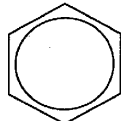


1. Clear the area of bystanders and foreign objects before starting.
2. Use the float position on the three-point control to follow the contour of the ground. The weight of the blade will keep it down.
3. Maintain a speed that allows you to maintain control of your machine.
4. The 1" wide spring steel tines (#11) clear off unwanted material and prepare an ideal seedbed ready to accept small seeds or sod. It is also ideal for spreading and leveling crushed stone and other landscaping materials and can be used to maintain beaches and recreational areas
5. The rakes are adjustable to seven angles.

ADJUSTMENT

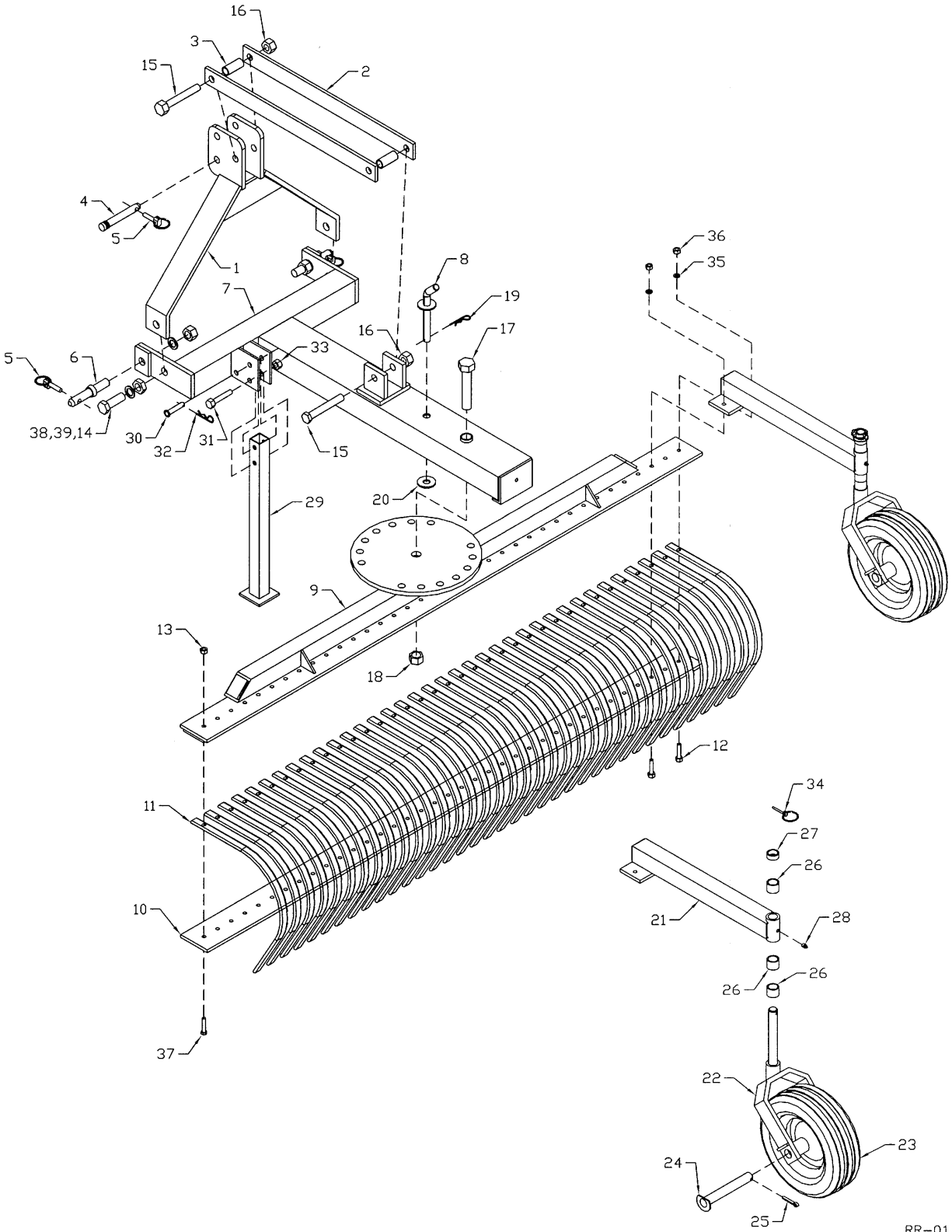
To change the angle of the rake, proceed in the following way:

1. Raise the rake off the ground.
2. Remove hair pin clip (#19) and the turntable pin (#8).
3. Grab one end of the rake and move it to the desired angle.
4. Install turntable pin and hair pin clip.

MAINTENANCE

Bolt Torque						
						
Bolt Diameter	SAE2		SAE5		SAE8	
"A"	N.m	lb-ft	N.m	lb-ft	N.m	lb-ft
1/4"	8	6	12	9	17	12
5/16"	13	10	25	19	36	27
3/8"	27	20	45	33	63	45
7/16"	41	30	72	53	100	75
1/2"	61	45	110	80	155	115
9/16"	95	70	155	115	220	165
5/8"	128	95	215	160	305	220
3/4"	225	165	390	290	540	400
7/8"	230	170	570	420	880	650
1"	345	225	850	630	1320	970

MAINTENANCE



RR-01

WHEN ORDERING PARTS

Always give your dealer the Model, Color and Serial Number of your machine to assist him in ordering and obtaining the correct parts. Use the exploded view and tabular listing of the area of interest to exactly identify the required part.

LAND RAKE PARTS LIST

ITEM	PART #	DESCRIPTION
1	F0351	Hitch Weldment
2	906768	Hitch Brace
3	906770	Spacer 1" O.D. x 2 1/4" Long
4	965807	Top Link Pin Category 1
5	965911	7/16" Linch Pin
6	965809	Lift Arm Pin with Nut & Washer Category 1
7	906767	T-Frame Weldment
8	967535	Turntable Pin
9	967564	60" Frame
	967565	72" Frame
	967566	84" Frame
	967567	96" Frame
10	967568	60" Cross Bar
	967569	72" Cross Bar
	967570	84" Cross Bar
	967571	96" Cross Bar
11	967572	Tines 5/16" x 1" x 15"
12	811795	3/8" x 2" Hex Bolt (pl) 4/Gauge Wheel
13	812363	3/8" Lock Nut (pl)
14	81722	7/8" Hex Nut (pl)
15	811751	3/4" x 5" Hex Bolt (pl)
16	812365	3/4" Lock Nut (pl)
17	967527	1" x 5" Hex Bolt (pl)
18	967148	1" Lock Nut (pl)
19	12779	#9 Hair Pin Clip
20	84050	3/4" S.A.E. Flat Washer (pl)
21	967582	Arm Weldment
22	967583	Gauge Wheel Weldment
23	967138	12" x 1" Bore Solid Rubber Tire
24	967584	1" x 7" Yoke Pin (Cut Off Head)
25	9812434	1/4" x 1 1/2" Cotter Pin (pl)
26	966730	1" x 1 5/16" O.D. Bushing (pl)
27	966731	1/2" x 1 5/16" O.D. Bushing (pl)
28	967164	Pound-in Grease Nipple

29	902277	Stand
30	901435	1/2" x 2 1/2" Clevis Pin (pl)
31	81626	1/2" x 2 3/4" Hex Bolt NC (pl)
32	961012	Hair Pin Clip #16
33	812364	1/2" Lock Nut (pl)
34	966729	3/16" Linch Pin (pl)
35	81593	3/8" Lock Washer (pl)
36	81592	3/8" Hex Nut (pl)
37	81578	3/8" x 1 3/4" Hex Bolt (pl)
38	966527	7/8" x 2 1/2" Hex Bolt (pl)
39	81723	7/8" Lock Washer (pl)

SHIPPING KIT AND BUNDLE NUMBERS

The following is a list of Kit Numbers for this product and the Bundle Numbers, Descriptions, and Quantities for each Kit.

QUANTITY	BUNDLE NO.	DESCRIPTION
----------	------------	-------------

Y60RR 60" LAND RAKE

1	F0351	Hitch
1	F0362	T-Frame
1	F6557	Cross Bar
1	F0364	Carton of Parts

Y72RR 72" LAND RAKE

1	F0351	Hitch
1	F0362	T-Frame
1	F6558	Cross Bar
1	F0364	Carton of Parts

Y84RR 84" LAND RAKE

1	F0351	Hitch
1	F0362	T-Frame
1	F6559	Cross Bar
1	F0364	Carton of Parts

Y96RR 96" LAND RAKE

1	F0351	Hitch
1	F0362	T-Frame
1	F6560	Cross Bar
1	F0364	Carton of Parts

OPTIONS:

The following is a list of options available for the Kits listed above.

YRR1 Gauge Wheel Set

NOTES

DIVISION LOCATIONS

Farm King Division
301 Mountain Street S.
Morden, MB R6M 1X7
Ph.: (204) 822-4467
Fax: (204) 822-6348

Allied/Inland Division
1260 Clarence Avenue
Winnipeg, MB R3T 1T2
Ph.: (204) 284-6100
Fax: (204) 477-2325

B.I.I. Division
1330 43rd Street N.W.
Fargo, ND 58102
Ph: (701) 282-7014
Fax: (701) 282-5865

U.S. WAREHOUSES

AR, West Memphis
(870) 732-3132

GA, Stone Mountain
(770) 908-9439

ID, Meridian
(208) 887-6006

IN, Clarksville
(812) 284-3376

KS, Wichita
(316) 265-9577

MN, Lakeville
(952) 469-5267

MT, Billings
(406) 248-7771

ND, Bismarck
(701) 223-1886

ND, Fargo
(701) 282-7003

NE, Blair
(402) 426-8211

OH, Youngstown
(330) 793-0862

OR, Beaverton
(503) 641-1865

SD, Huron
(605) 352-8616

TX, Houston
(713) 928-2632

UT, Salt Lake City
(801) 972-4321

WI, Portage
(608) 742-1370

CANADIAN WAREHOUSES

B.C., Abbotsford
(604) 864-2665

AB, Edmonton
(780) 962-6991

SK, Regina
(306) 781-2300

ON, Woodstock
(519) 539-0435

QC, Dorion
(450) 455-4840

OFFSHORE WAREHOUSES

Burando Hill
Katanning
W. Australia
011-618-98-214422

Chihuahua, Mexico
011-52-158-90306

John Kerr Equipment Ltd.
Wilcoxholm Farm
Linlithgow, W. Lothian
Scotland
011-441-506-842280

Skovde, Sweden
011-46-500-452651

Naestved, Denmark
011-45-557-29511

bühler

Buhler Manufacturing

**301 Mountain Street S.
Morden MB.
R6M 1X7
Ph.: (204) 822-4467
Fax: (204) 822-6348
www.buhler.com**