

bühler

farm king



360 Grain Cleaner

Operator's and Parts Manual
FK327

2008

TABLE OF CONTENTS

DESCRIPTION	PAGE
WARRANTY	1
INTRODUCTION	2
SAFETY	3
Safety	3
General Safety	4
Start-up Safety	4
Operation Safety	5
Transport Safety	5
Service and Maintenance Safety	6
Storage Safety	6
Safety Signs	6
Safety Sign Installation	6
ASSEMBLY	7
Assembly Instructions	7
OPERATION	11
Operating Instructions	11
Theory of Operation of Grain Cleaner	12
MAINTENANCE	13
Bolt Torque	13
PARTS DRAWINGS	14
Grain Cleaner Drawings	14
Grain Cleaner Parts List	16
6" Utility Auger Option Drawing	19
6" Utility Auger Option Parts List	20
GRAIN CLEANER SCREENS	21
SHIPPING KIT AND BUNDLE NUMBERS	22

WARRANTY POLICY

Buhler Manufacturing products are warranted for a period of twelve (12) months (90 days for commercial application) from original date of purchase, by original purchaser, to be free from defects in material and workmanship under correct, normal agricultural use and proper applications.

Buhler Manufacturing's obligations under this warranty shall be limited to the repair or exchange, at Buhler Manufacturing's option, of any Buhler Manufacturing product or part which proves to be defective as provided. Buhler Manufacturing reserves the right to either inspect the product at the buyer's location or have it returned to the factory for inspection.

The above warranty does not extend to goods damaged or subject to accident, abuse or misuse after shipment from Buhler Manufacturing's factory, nor to goods altered or repaired by anyone other than an authorized Buhler Manufacturing representative.

Buhler Manufacturing makes no Express Warranties other than those, which are specifically described. Any description of goods, including any references and specifications in catalogues, circulars and other written material published, is for the sole purpose of identifying goods and shall conform to such descriptions. Any sample or model is for illustrative purposes only and does not create an Express Warranty that the goods conform to sample or model shown.

The purchaser is solely responsible for determining suitability of goods sold. This warranty is expressly in lieu of all other warranties expressed or implied. Buhler Manufacturing will in no event be liable for any incidental or consequential damages whatsoever. Nor for any sum in excess of the price received for the goods for which liability is claimed.

WARRANTY CLAIMS:

Warranty requests must be prepared on Buhler Manufacturing Warranty Claim Forms with all requested information properly completed. Warranty Claims must be submitted within a thirty (30) day period from date of failure repair.

WARRANTY LABOR:

Any labor subject to warranty **must** be authorized by Buhler Manufacturing. The labor rate for replacing defective parts, where applicable, will be credited at 100% of the dealer's posted shop rate. Defective parts will receive an extra 10% discount to assist with freight or other incidental costs.

GOVERNMENT LEGISLATION:

Warranty terms and conditions are subject to Provincial or State legislation.

IMPORTANT FACTS:

Buckets and Bucket Tines Carry No Warranty
Bent Spears Carry No Warranty
Snowblower Fan Shafts Carry No Warranty
Mower Blades Carry No Warranty
Portable Auger Parts Have Two (2) Year Warranty
Loader Parts Have Two (2) Year Warranty

IMPORTANT NOTE: This warranty does not apply to rentals

INTRODUCTION

The Buhler Farm King 360 Grain Cleaner handles up to 1000 bushels per hour. The 360 also uses two stage screening. Trash and fines are discharged onto the ground while cleaned grain comes out a chute for convenient loading.

The 360 comes with pulleys and adjustable mounts designed to fit most 1 hp. motors. Light weight and compact, the Model 360 is available with a 6" intake auger for easy loading.

A Buhler Farm King Grain Cleaner will do the job quickly and economically. You'll save time, money and storage space.

Keep this manual handy for frequent reference. All new operators or owners must review the manual before using the equipment and at least annually thereafter. Contact your Buhler Dealer if you need assistance, information, or additional copies of the manual. Visit our website at www.buhler.com for a complete list of dealers in your area.

The directions left, right, front and rear, as mentioned throughout this manual, are as seen facing in the direction of travel of the implement.

SAFETY INSTRUCTIONS

Remember, YOU are the key to safety. Good safety practices not only protect you, but also the people around you. Make these practices a working part of your safety program. Be certain that everyone operating this equipment is familiar with the recommended operating and maintenance procedures and follows all the safety precautions. Most accidents can be prevented. Do not risk injury or death by ignoring good safety practices.

The alert symbol is used throughout this manual. It indicates attention is required and identifies hazards. Follow the recommended precautions.



The safety alert symbol means...

ATTENTION! BECOME ALERT! YOUR SAFETY IS INVOLVED!



CAUTION

The caution symbol indicates a potentially hazardous situation that, if not avoided, may result in minor or moderate injury. It may also be used to alert against unsafe practices.



WARNING

The Warning Symbol indicates a potentially hazardous situation that, if not avoided, could result in death or serious injury, and includes hazards that are exposed when guards are removed. It may also be used to alert against unsafe practices.



DANGER

The Danger Symbol indicates an imminently hazardous situation that, if not avoided will result in death or serious injury. This signal word is to be limited to the most extreme situations, typically for machine components that, for functional purposes, cannot be guarded.

GENERAL SAFETY

Have a first-aid kit available for use and know how to use it.

Have a fire extinguisher available, stored in a highly visible location, and know how to use it.

Wear appropriate protective gear. This list may include but is not limited to:

- Hard hat
- Protective shoes with slip resistant soles
- Protective glasses or goggles
- Heavy gloves
- Wet weather gear
- Hearing protection
- Respirator or filter mask

Read and understand the Operator's Manual and all safety signs before operating, servicing, adjusting, repairing, or unplugging the equipment.

Do not attempt any unauthorized modifications to your Buhler product as this could affect function or safety, and could affect the life of the equipment.

Inspect and clean the working area before operating.

Keep hands, feet, clothing, and hair away from moving parts.

Ensure bystanders are clear of the area before operating.

START-UP SAFETY

Do not let inexperienced operators or children run this equipment.

Place all tractor and machine controls in neutral before starting.

Operate only with ROPS and seatbelt equipped tractors.

Do not operate inside a building unless there is adequate ventilation.

Ensure all shields are in place and in good condition before operating.

Make certain electric motors are grounded.

OPERATION SAFETY

Do not permit riders.

Do not wear loose fitting clothing during operation.

TRANSPORT SAFETY

Review Transport Safety instructions in tractor manual before moving.

Check with local authorities regarding transport on public roads. Obey all applicable laws and regulations.

Do not tow equipment that does not have brakes at speeds over 32km/h (20 mph).

Do not tow equipment that does not have brakes that, when fully loaded, has a mass (weight) over 1.5 t (3300 lb) and more than 1.5 times the mass (weight) of the towing unit.

Make sure the SMV (Slow Moving Vehicle) emblem and all the lights and reflectors that are required by the local highway and transport authorities are in place, are clean, and can be seen clearly by all overtaking and oncoming traffic.

Never have the equipment in operation during transport.

The equipment should never be towed without the safety chain securely attached to the unit and the towing vehicle.

Always travel at a safe speed.

Inflate transport tires to recommended pressure.

SERVICE AND MAINTENANCE SAFETY

Stop engine, set brake, remove ignition key, and wait for all moving parts to stop before servicing, adjusting, repairing, or unplugging.

Support the equipment with blocks or safety stands before working beneath it.

Follow good shop practices including

- Keep service area clean and dry

- Be sure electrical outlets and tools are properly grounded

- Use adequate light for the job

Use only tools, jacks, and hoists of sufficient capacity for the job.

Replace and secure all shields removed during servicing before operating.

Use heavy leather gloves to handle sharp objects.

STORAGE SAFETY

Store the unit in an area away from human activity.

Do not permit children to play on or around the stored machine.

Support the frame on stands and blocks to provide a secure base.

SAFETY SIGNS

The following illustration shows the approximate location and detail of safety signs. Keep all safety signs clean and legible and replace any that are damaged or missing. When original parts are replaced, any safety signs affixed to those parts should be replaced as well. Replacement safety signs are available from your local dealer.

INSTALLATION OF SAFETY SIGNS

To install safety signs, ensure the installation area is clean and dry. Decide on the exact position before you remove the backing paper. Remove the smallest portion of the split backing paper and align over the specified area. Carefully press in place. Slowly peel back the remaining paper and smooth the remaining portion in place. Small air pockets can be pierced with a pin and smoothed out.

MODEL #360 GRAIN CLEANER ASSEMBLY INSTRUCTIONS


⚠ ALERT: The following instructions refer to the intake end of the cleaner as the rear and the output end as the front.

1. Join the rear frame (#1) and front frame (#2) with two frame sides (#3) using four frame clamp plates (#6) with 5/16" x 3/4" hex bolts, lock washers and hex nuts. Bolt the frame cross brace (#4) between the frame sides using two frame clamps (#5). The hitch (#7) is pushed through the holes in the front frame and frame cross brace and fastened to the frame cross brace with a 3/8" x 4" hex bolt and lock nut. The hitch length is adjusted by moving the position of the frame cross brace.

⚠ CAUTION: All bolts connecting the frame must be firmly tightened. Any loose bolts could result in the frame separating while towing the cleaner.

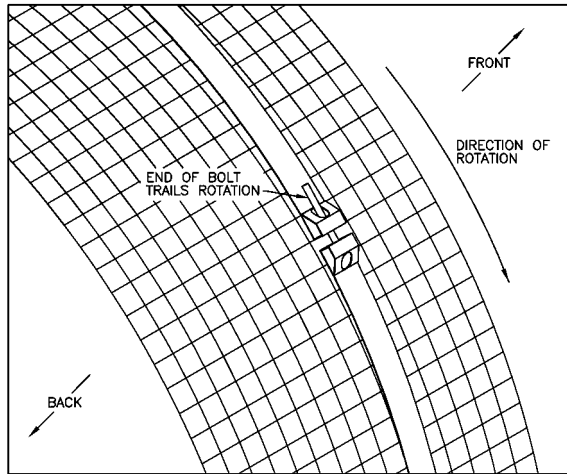
2. Mount two 1" pillow bearings (#16) on the reducer shaft (#18) and bolt the bearings to the bottom of the reducer mount welded to the rear frame as shown in drawing. Use 1/2" x 2" hex bolts, lock washers and hex nuts. Bolt the idler arm (#25) to the same reducer mount using a 5/8" x 1 3/4" hex bolt. The end of the idler arm with the small hole is turned to the outside of the frame. Mount the idler pulley (#24) to the other end of the idler arm. A 5/8" I.D. flat washer is placed between the idler pulley and the idler before tightening with a 5/8" jam nut. A 3" pulley (#19) is mounted on the inside of the reducer shaft and a 15" pulley (#26) is mounted on the outside.
3. Bolt the motor mount (#32) to the rear frame with two motor mount clamps (#33) using 3/8" x 1" hex bolts, lock washers and hex nuts. The tightener hole in the side of the motor mount must face the tightener bracket welded to the rear frame. Connect the belt tightener rod (#34) between the motor mount and the welded bracket on the frame using two 3/8" hex nuts. Bolt the motor guard (#31) and 1 H.P. electric motor (not supplied) to the motor mount using 5/16" x 1" hex bolts, lock washers, flat washers and hex nuts. Mount a 2 1/2" pulley (#29) on the electric motor and connect this pulley and the 15" pulley (#26) with a B-62 V-belt (#28). Tighten belt using belt tightener rod (#34).
4. Assemble the three drum rings (#'s 66, 67, & 68); cone flow control (#75) and two drum screen support rings (#70) on the drum shaft (#69). The cone flow control comes between the rear and center drum rings while the drum screen support rings are placed on each side of the center drum ring. Be certain that all three drum rings are turned as shown in drawing. Support the ends of the drum shaft on stands so the rings can be turned until the outer holes in all three rings and the screen support rings are aligned. The holes for the cone screen support bars (#72) should also be aligned when the outer holes in the drum rings are in line.

MODEL #360 GRAIN CLEANER ASSEMBLY INSTRUCTIONS – cont'd.

5. The six cone screen support bars (#72) are bolted between the front and center drum rings to form a cone. Use 5/16" x 3/4" hex bolts, lock washers and hex nuts at the center ring and 5/16" x 3/4" carriage bolts, lock washers and hex nuts at the front ring. Join the three drum rings and the two screen support rings with six drum screen support bars (#71) using 5/16" x 3/4" carriage bolts, lock washers and hex nuts. Do not tighten any nuts until all bolts are in place. Lock the drum rings and the cone flow control onto the drum shaft by inserting a 3/8" x 1" set screw into the hubs and tightening.
6. Mount 1" pillow bearings (#16) on each end of the drum shaft. Lift the drum assembly into the frame with the cone end towards the rear frame (end with adjustable legs). Bolt the rear pillow bearing to the top of the front frame using 1/2" x 1 3/4" hex bolts, lock washers, flat washers and hex nuts. Bolt the rear pillow bearing underneath the top cross brace of the rear frame. The intake auger pivot (#35) is placed on the top side of the same cross brace and bolted on together with the bearing using 1/2" x 1 3/4" hex bolts, lock washers, flat washers and hex nuts. Place the B-133 V-belt (#22) around the rear end of the drum before bolting on the rear bearing. The front drum ring should be positioned with 1 1/4" gap to the front frame to allow clearance at the rear end.
7. Mount the drum belt on the 3" pulley (#19) at the inside of the reducer shaft (#18). Tighten the belt with the idler pulley (#24) by hooking one end of the belt tightener spring (#23) in the end of the idler arm (#25) and the other end in the bracket welded to the inside edge of the rear frame.
 **CAUTION:** Spring may be unhooked while installing drum screen to allow easier rotation of drum.
8. Mount the three cone screen sections (#74). Two of the cone segments will have to be notched to fit around the trash outlets on the center ring (see drawing below). After fitting the cone segments, pin them to the cone with 1/4" x 3/4" self-tapping screws and flat washers. Strap the ends of the cone screens to the rear and center rings using the two cone straps (#77). Tighten straps with 1/4" x 2 1/2" round head bolts and 1/4" square nuts. After strapping, the screen is tightened by inserting the remaining self-tapping screws.

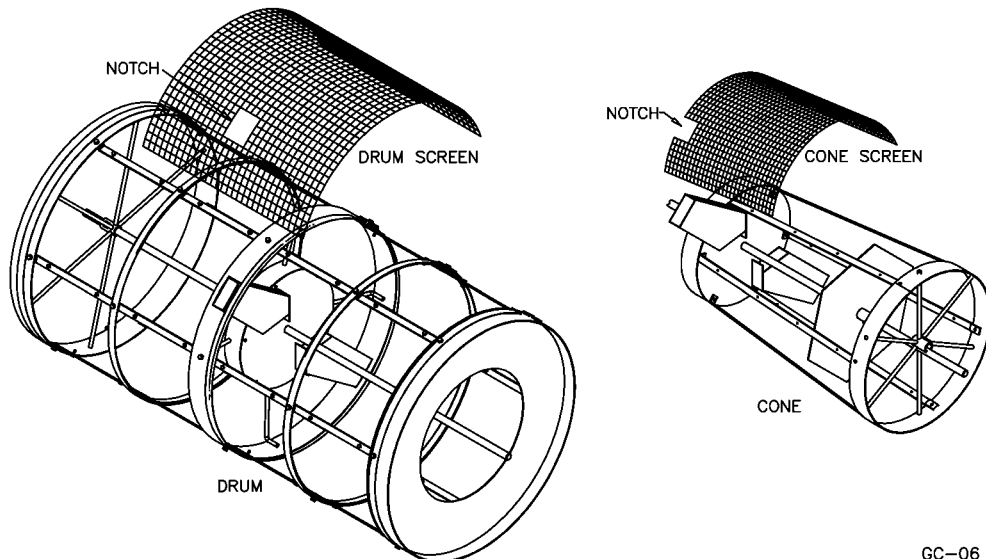
MODEL #360 GRAIN CLEANER ASSEMBLY INSTRUCTIONS – cont'd.

⚠ CAUTION: All the strap bolts holding the drum screens should be turned so the end of the bolt trails the direction of rotation as shown in the drawing. This is done so the end of the bolt will not accidentally hook onto your hand or clothing while the drum is rotation.



GC-08

Both drum screens must also be notched to fit around the trash outlets as shown in the drawing below. A convenient way to hold the screen in position during assembly is by hooking several small springs across the lap joint. Two springs to hold the screen in place (#84) are included in the bag with each cleaner. After notching, pin the screens to the outer drum with 1/4" x 3/4" self-tapping screws and flat washers. Before fastening screen, be sure that the screen is flat against the drum rings and the screen supports all the way around the drum. Straps (#77) are fastened around the screens at the front and back rings, on each side of the trash outlets on the center ring and around each of the drum screen support rings (#70). Tighten straps and insert the remaining self-tapping screws.



GC-06

MODEL #360 GRAIN CLEANER ASSEMBLY INSTRUCTIONS – cont'd.

9. Insert the discharge pan (#8) into the front frame between the frame sides and the top and center cross braces. Bolt to frame sides using 1/4" x 2" hex bolts, lock washers, flat washers and hex nuts. Fasten top edge of discharge pan to the top cross brace on the front frame using 1/4" x 3/4" self-tapping screws. Fit the front drum shield (#9) around the front of the drum and fasten to the top of the front frame using 1/4" x 3/4" self-tapping screws. The front drum shield is also bolted to the discharge pan using 1/4" x 3/4" hex bolts, lock washers and hex nuts. Mount the pulley guard (#17) to the rear frame by bolting it to the angle irons welded to the ends of the center cross brace using 5/16" x 3/4" hex bolts, lock washers, flat washers and hex nuts. Fasten the intake pan (#10) under the top cross brace of the rear frame using 3/8" x 1" hex bolts, lock washers and hex nuts.
10. Slide the rear legs (#11) into the sleeves at the bottom of the rear frame. A 3/8" x 2" hex bolt, lock washer and hex nut through each leg is used to adjust the height of the rear of the cleaner. Place a wheel spacer (#12) on the stub shafts and mount the wheels (#13). The wheels are held on by a 1" I.D. flat washer and a 1/4" x 1 1/2" cotter pin. A 5/16" x 3/4" hex bolt, lock washer and hex nut is bolted through one of the holes at the top of the leg to keep it from sliding out.
11. Intake Auger (Optional)

Insert the intake auger swivel (#36) into the intake auger pivot (#35), which is already bolted to the top of the rear frame. Bolt the intake auger connector plate (#39) to the intake auger using 3/8" x 3/4" hex bolts, lock washers and hex nuts. Join the intake auger connector plate and the intake auger swivel with a 1/2" x 7 1/2" pin (#37) and cotter pin.

OPERATION OF CLEANER

The Cleaner will remove both fine seeds and chaff as well as larger trash such as corn cobs or stalks.

A 6" utility auger is recommended as an intake auger. A 1 hp electric motor should be used to run both the cleaner and the utility auger. These must be supplied by the purchaser of the cleaner.

Adjust the height of the legs on the rear frame to the position which will give you maximum capacity.

A variety of screens are available to fit your needs.

Belt tension should be periodically checked and any trash should be removed from the pulley grooves.

The cone flow control must be set to minimize grain loss through the trash outlets.

Capacity will vary with type of grain and moisture content. A flow control on the intake auger will allow you to match input to cleaner capacity.

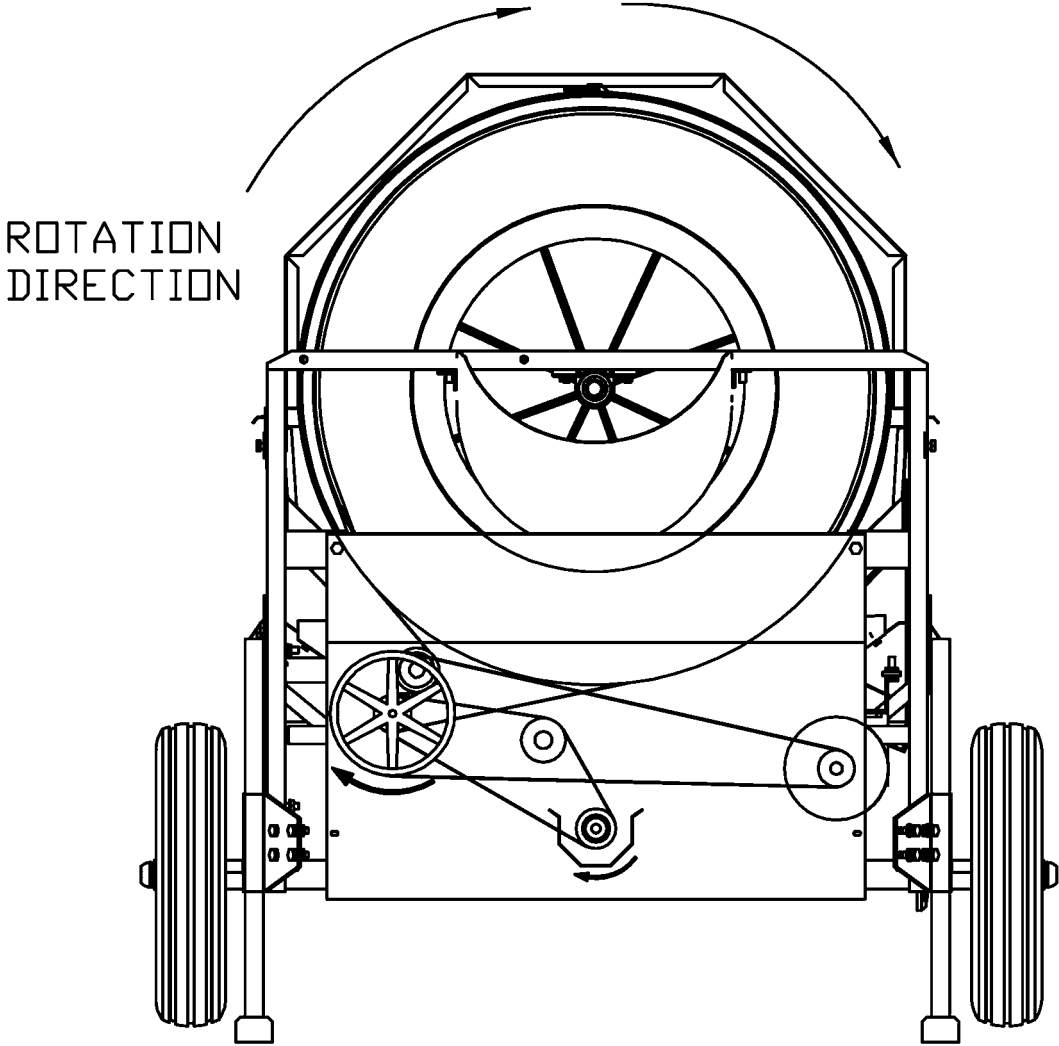
The cleaner should be run until empty before stopping. Do not leave grain in cleaner or start the cleaner with a load of grain in it.

Tires provided with cleaner are for low speed towing only. Fill tires to a maximum of 60 psi (400 kPa).

Keep all shields in place while cleaner is running. Stop cleaner to make any adjustments.

The rotation direction when viewed from the motor drive end should be as shown in the drawing below.

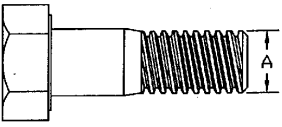
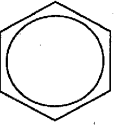


THEORY OF OPERATION



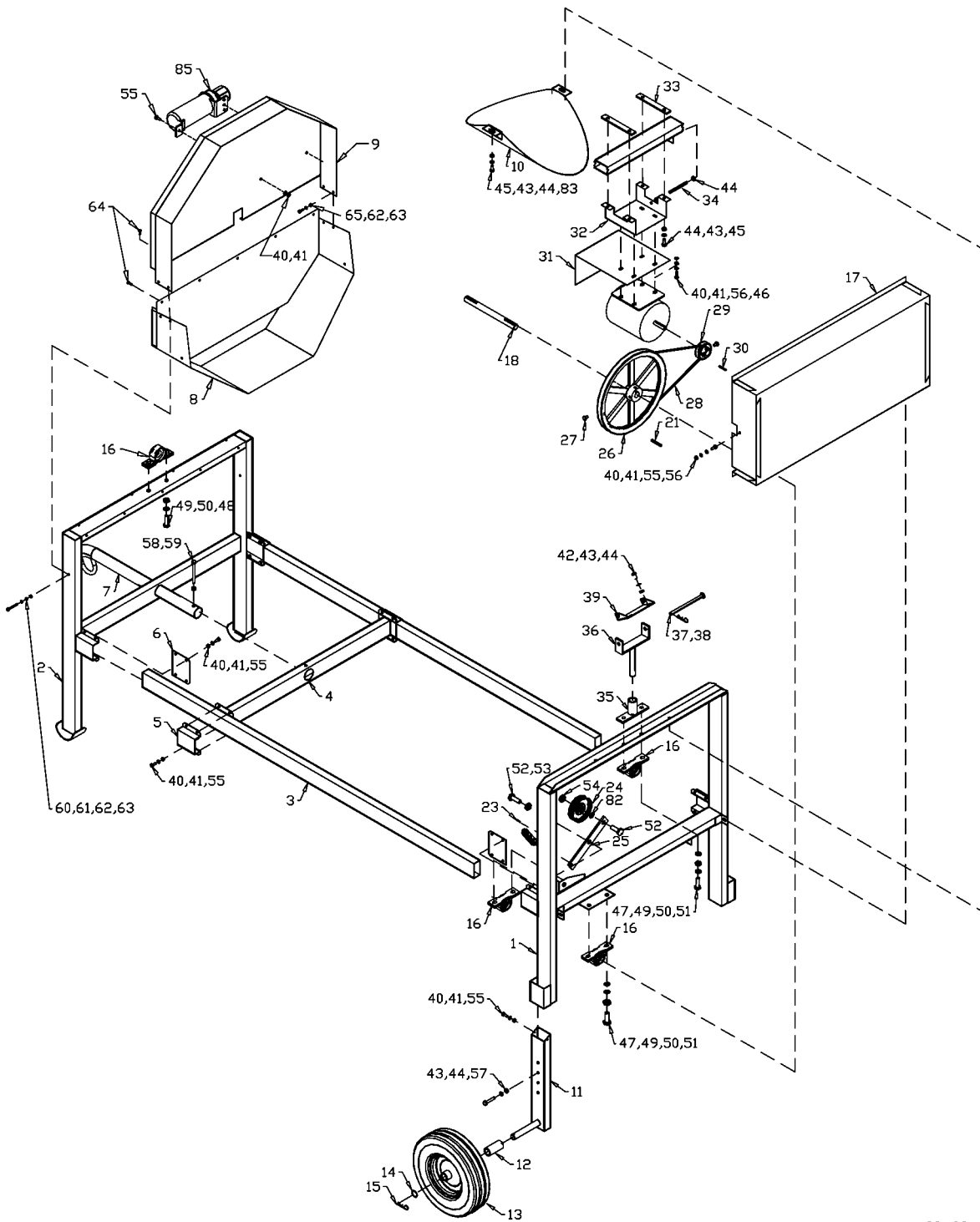
GC-22

MAINTENANCE

BOLT TORQUE

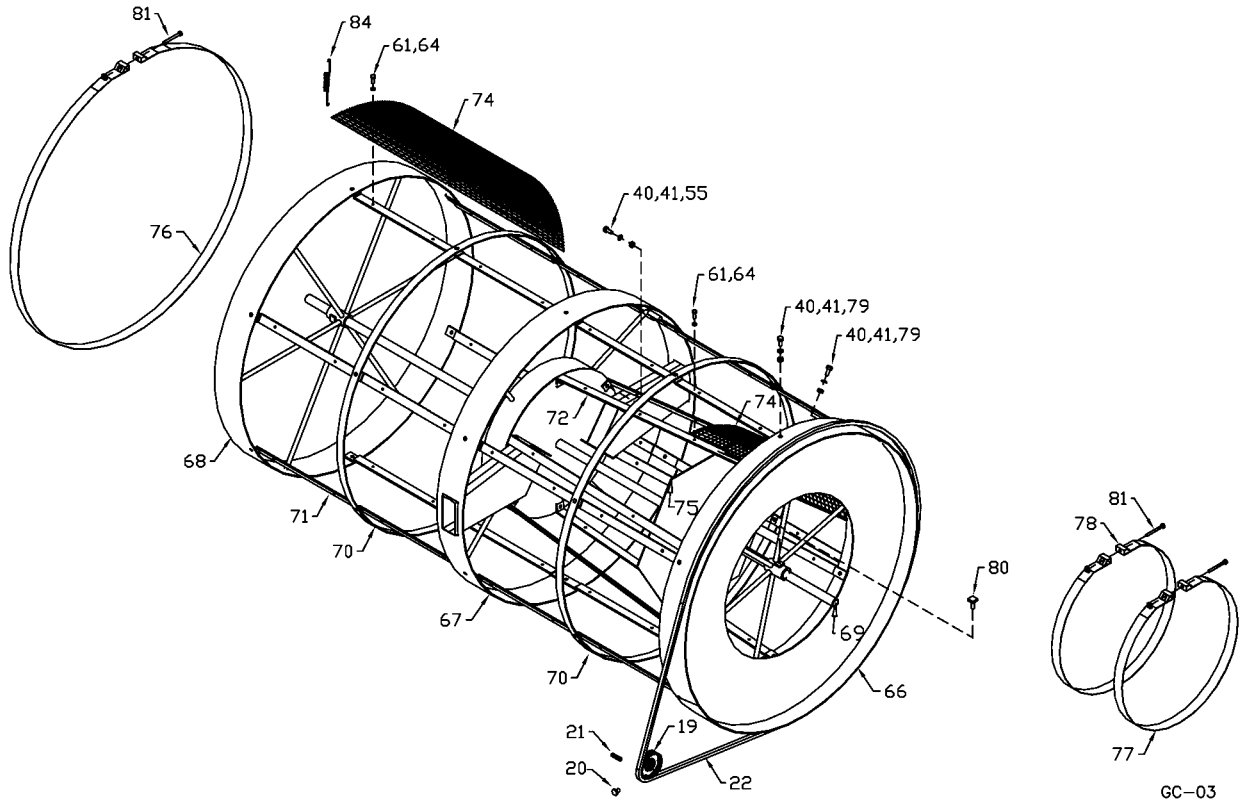
Bolt Torque						
						
Bolt Diameter	SAE2		SAE5		SAE8	
"A"	N.m	lb-ft	N.m	lb-ft	N.m	lb-ft
1/4"	8	6	12	9	17	12
5/16"	13	10	25	19	36	27
3/8"	27	20	45	33	63	45
7/16"	41	30	72	53	100	75
1/2"	61	45	110	80	155	115
9/16"	95	70	155	115	220	165
5/8"	128	95	215	160	305	220
3/4"	225	165	390	290	540	400
7/8"	230	170	570	420	880	650
1"	345	225	850	630	1320	970

#360 GRAIN CLEANER



GC-02

#360 GRAIN CLEANER



WHEN ORDERING PARTS

Always give your dealer the Model, Color and Serial Number of your machine to assist him in ordering and obtaining the correct parts. Use the exploded view and tabular listing of the area of interest to exactly identify the required part.

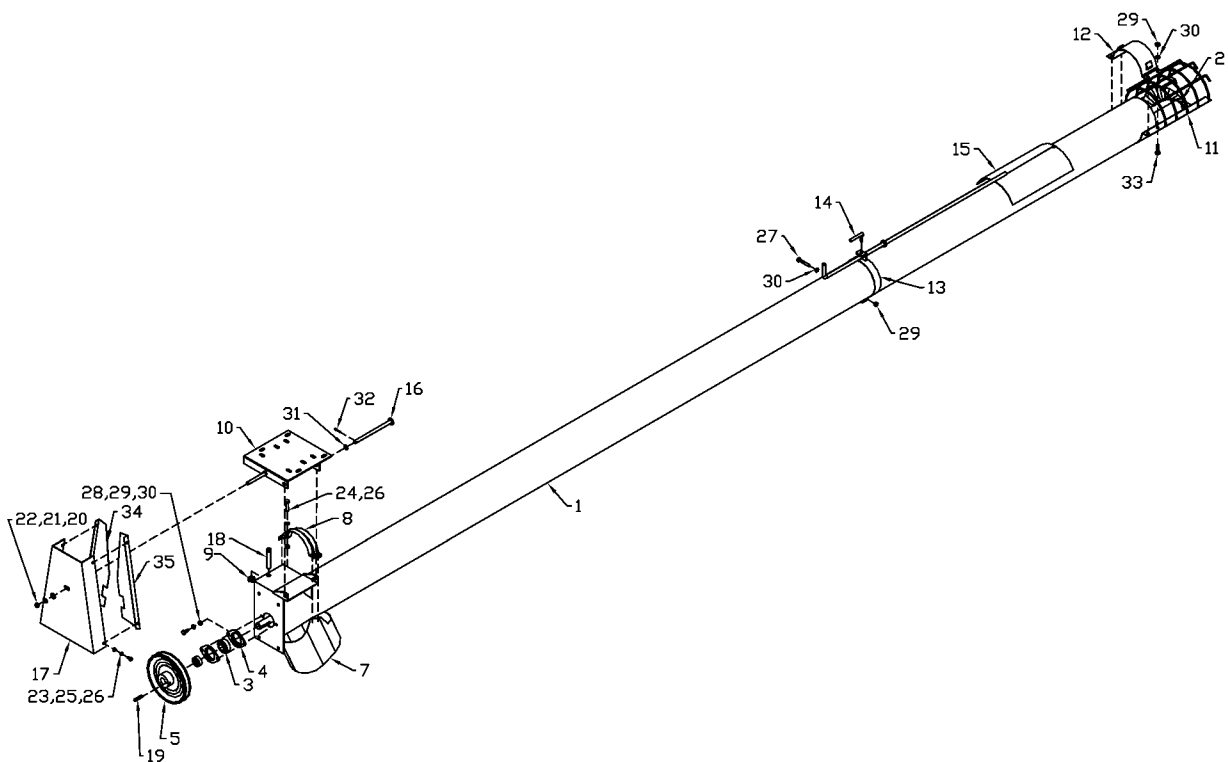
#360 GRAIN CLEANER PARTS LIST

Item #	Part #	Description
1	973601	Rear Frame
2	973602	Front Frame
3	973603	Frame Side
4	973604	Frame Cross Brace
5	973605	Frame Clamp
6	973606	Frame Clamp Plate
7	973607	Hitch
8	F4305	Discharge Pan
9	F4307	Drum Shield
10	F4304	Intake Pan
11	973611	Back Leg
12	966811	Wheel Spacer
13	973613	Wheel with Tire
	973655	Wheel (8" x 2 1/2") with Spacer
	973656	Tire with Tube (4.80/4.00 - 8)
14	84522	1" I.D. Flat Washer (S.A.E.)
15	9812434	1/4" x 1 1/2" Cotter Pin
16	961792	1" Pillow Bearing
17	F4306	Pulley Guard
18	973615	Reducer Shaft
19	973616	Pulley, B Section 1" x 3"
20	988999	3/8" x 3/8" Socket Set Screw
21	900197	1/4" x 2 1/4" Square Key
22	973617	B-133 V-Belt
23	973618	Belt Tightener Spring
24	973645	Idler Pulley, 5/8" x 4 5/8"
25	973619	Idler Arm
26	973620	Sheave, B Section 1" x 15"
27	9812701	5/16" x 1/2" Socket Set Screw
28	973621	B-62 V-Belt
29	973646	Pulley, B Section, 5/8" x 2 1/2"
30	900198	3/16" x 1 1/2" Square Key
31	973622	Motor Guard
32	973623	Motor Mount

33	973624	Motor Mount Clamp
34	973625	Belt Tightener Rod
35	973626	Intake Auger Pivot
36	973627	Intake Auger Swivel
37	902996	Intake Auger Swivel Pin
38	9812430	1/8" x 1" Cotter Pin
39	973629	Intake Auger Connector Plate
40	81569	5/16" Lock Washer
41	81568	5/16" Hex Nut
42	84072	3/8" X 3/4" Hex Bolt
43	81593	3/8" Lock Washer
44	81592	3/8" Hex Nut
45	86170	3/8" X 1" Hex Bolt
46	812026	5/16" x 1" Hex Bolt
47	81638	1/2" Flat Washer (B.S.)
48	811791	1/2" x 2" Hex Bolt
49	81637	1/2" Lock Washer
50	81636	1/2" Hex Nut
51	87553	1/2" x 1 3/4" Hex Bolt
52	84270	5/8" x 1 3/4" Hex Bolt
53	812482	5/8" Lock Nut
54	84126	5/8" Jam Nut
55	81549	5/16" x 3/4" Hex Bolt
56	81570	5/16" Flat Washer (B.S.)
57	811795	3/8" x 2" Hex Bolt
58	81587	3/8" x 4" Hex Bolt
59	812363	3/8" Lock Nut
60	81531	1/4" x 2" Hex Bolt
61	81546	1/4" Flat Washer (B.S.)
62	81545	1/4" Lock Washer
63	81544	1/4" Hex Nut
64	9812392	1/4" x 3/4" Self Tapping Screw
65	81525	1/4" x 3/4" Hex Bolt
66	973632	Back Drum Ring
67	973633	Center Drum Ring
68	973634	Front Drum Ring
69	973635	Drum Shaft
70	973636	Drum Screen Support Ring
71	973637	Drum Screen Support Bar
72	973638	Cone Screen Support Bar

73	973651	4 x 4 Drum Screen
	973652	5 x 5 Drum Screen
	973653	6 x 6 Drum Screen
	973654	8 x 8 Drum Screen
	900211	10 x 10 Drum Screen
74	973650	5/8" x 5/8" Cone Screen
	973647	2 x 2 Cone Screen
	973648	3 x 3 Cone Screen
	973649	4 x 4 Cone Screen
	903519	5 x 5 Cone Screen
75	973641	Cone Flow Control
76	973642	Drum Screen Strap
77	973643	Back Cone Screen Strap
78	973644	Front Cone Screen Strap
79	81185	5/16" x 3/4" Carriage Bolt
80	81213	3/8" x 1" Square Head Set Screw
81	9812398	1/4" x 2 1/2" Round Head Bolt with Nut
82	81678	5/8" Flat Washer
83	84000	3/8" Flat Washer
84	973289	Screen Spring (.437" O.D. x 6.155" Long)
85	909277	Manual Holder

6" UTILITY AUGER OPTION



GC-04

6" UTILITY AUGER - OPTION (#360 GC)

Item #	Part #	Description
1	963617	Tube - 6" x 10'
	963618	Tube - 6" x 15'
	963619	Tube - 6" x 20'
2	963604	Flighting - 6" x 11'
	963605	Flighting - 6" x 16'
	963606	Flighting - 6" x 21'
3	961627	1" Bearing complete with Collar
4	963009	1" Bearing Flange
5	963020	8" Single Pulley, 1" Bore
7	902967	6" Spout Weldment
8	902968	3/4" x 10 1/2" Spout Clamps
9	81636	1/2" Hex Nut (pl)
10	963021	Motor Mount Plate
11	963621	6" Intake Bottom Plate
12	963622	6" Intake Clamp
13	963623	6" Clamp Only
14	963145	5" & 6" Screw Only
15	963624	6" Feed Control Slide Only
16	902996	1/2" x 7 1/2" Hinge Pin
17	963025	Belt Guard
18	963030	1/2" x 3" Square Head Set Screw
19	963026	1/4" x 1 1/2" Key
20	981616	7/16" Flat Washer (pl)
21	81615	7/16" Lock Washer (pl)
22	81614	7/16" Hex Nut (pl)
23	81523	1/4" x 1/2" Hex Bolt (pl)
24	81525	1/4" x 3/4" Hex Bolt (pl)
25	81545	1/4" Lock Washer (pl)
26	81544	1/4" Hex Nut (pl)
27	81553	5/16" x 1 1/2" Hex Bolt (pl)
28	81549	5/16" x 3/4" Hex Bolt (pl)
29	81568	5/16" Hex Nut (pl)
30	81569	5/16" Lock Washer (pl)
31	81638	9/16" ID Flat Washer (pl)
32	9812430	1/8" x 1" Cotter Pin (pl)
33	81552	5/16" x 1 1/4" Hex Bolt (pl)
34	963098	Guard Back Plate - Right
35	963099	Guard Back Plate - Left

#360 AND #480 GRAIN CLEANER SCREENS AVAILABLE**CONE SCREENS****OUTSIDE DRUM SCREENS**CORN SCREENS

2 x 2 x 19 ga. – small

4 x 4 x 23 ga. - standard

5/8 x 5/8 x 17 ga. - standard

WHEAT SCREENS

4 x 4 x 23 ga. - standard

8 x 8 x 27 ga. - standard

3 x 3 x 21 ga. - large

6 x 6 x 25 ga. - large

SUNFLOWER SCREENS

2 x 2 x 19 ga. - standard

8 x 8 x 27 ga. - small

5/8 x 5/8 x 17 ga. - large

6 x 6 x 25 ga. - standard

5 x 5 x 24 ga. - large

SOYBEAN SCREENS

3 x 3 x 21 ga. - small

6 x 6 x 25 ga. - small

2 x 2 x 19 ga. - standard

5 x 5 x 24 ga. - standard

MILO SCREENS

4 x 4 x 23 ga. - standard

8 x 8 x 27 ga. - standard

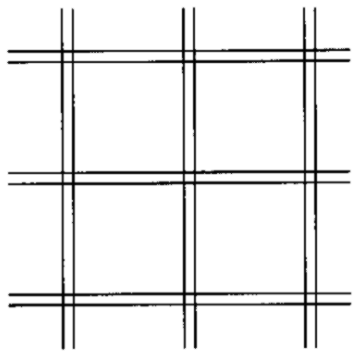
3 x 3 x 21 ga. - large

6 x 6 x 25 ga. - large

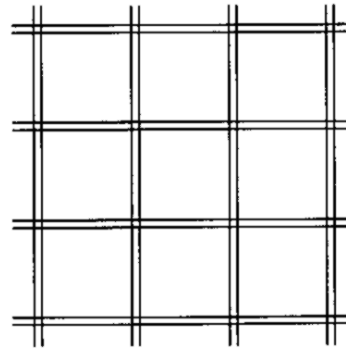
OPTIONAL DRUM SCREEN

10 x 10 x 28 ga.

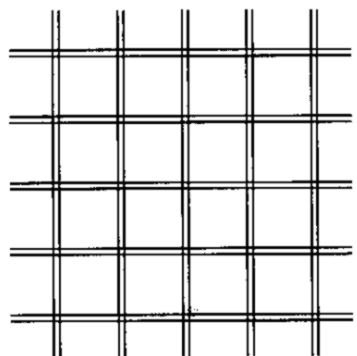
GRAIN CLEANER SCREENS - illustrated in actual sizes



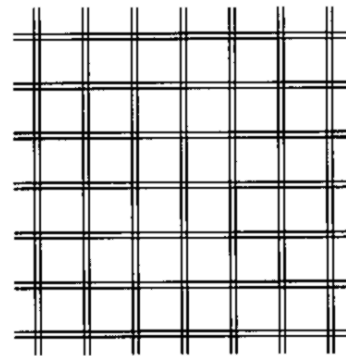
5/8 X 5/8 X 17 GA.



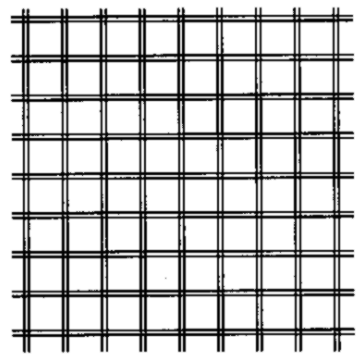
2 X 2 X 19 GA.



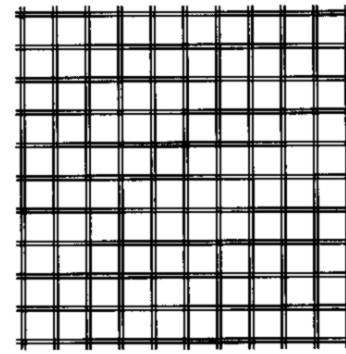
3 X 3 X 21 GA.



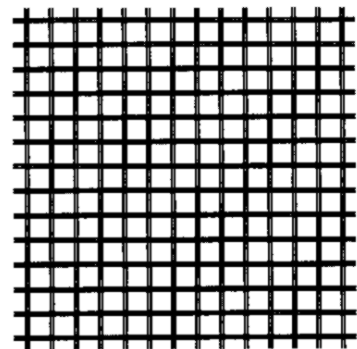
4 X 4 X 23 GA.



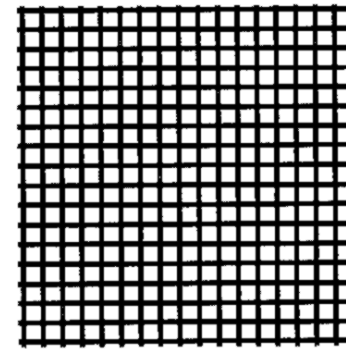
5 X 5 X 24 GA.



6 X 6 X 25 GA.



8 X 8 X 27 GA.



10 X 10 X 29 GA.

SHIPPING KIT AND BUNDLE NUMBERS

The following is a list of Kit Numbers for this product and the Bundle Numbers, Descriptions, and Quantities for each Kit.

QUANTITY	BUNDLE NO.	DESCRIPTION
-----------------	-------------------	--------------------

Y360 - #360 GRAIN CLEANER - BUNDLE NUMBERS

1	F4320	#360 Crate
---	-------	------------

NOTE: Screens and motor (1 hp 1725 RPM) are not included with the grain cleaner.

SCREENS AVAILABLE

(One Cone & One Drum Screen Required per Cleaner)

F4310	Cone Screen, 5/8 x 5/8 x 17 ga.
F4309	Cone Screen, 2 x 2 x 19 ga.
F4312	Cone Screen, 3 x 3 x 21 ga.
F4311	Cone Screen, 4 x 4 x 23 ga.
F4318	Cone Screen, 5 x 5 x 24 ga.
F4313	Drum Screen, 4 x 4 x 23 ga.
F4316	Drum Screen, 5 x 5 x 24 ga.
F4315	Drum Screen, 6 x 6 x 25 ga.
F4314	Drum Screen, 8 x 8 x 27 ga.
F4317	Drum Screen, 10 x 10 x 28 ga.

OPTIONAL BUNDLE NUMBERS

The following is a list of options available for the Kits listed above.

Y611S 6" x 11' Utility Auger (c/w bolt-on spout and flow control)

1	F1200	6" x 11' Utility Auger
1	F1202	Spout
1	F1203	Flow Control
1	F1225	Carton of Parts

Y616S 6" x 16' Utility Auger (c/w bolt-on spout and flow control)

1	F1202	Spout
1	F1203	Flow Control
1	F1210	6" x 16' Utility Auger
1	F1225	Carton of Parts

Y621S 6" x 21' Utility Auger (c/w bolt-on spout and flow control)

1	F1202	Spout
1	F1203	Flow Control
1	F1220	6" x 21' Utility Auger
1	F1225	Carton of Parts

NOTES

NOTES

NOTES

DIVISION LOCATIONS

Farm King Division
301 Mountain Street S.
Morden, MB R6M 1X7
Ph.: (204) 822-4467
Fax: (204) 822-6348

Allied/Inland Division
1260 Clarence Avenue
Winnipeg, MB R3T 1T2
Ph.: (204) 284-6100
Fax: (204) 477-2325

B.I.I. Division
1330 43rd Street N.W.
Fargo, ND 58102
Ph: (701) 282-7014
Fax: (701) 282-5865

U.S. WAREHOUSES

AR, West Memphis
(870) 732-3132

GA, Stone Mountain
(770) 908-9439

ID, Meridian
(208) 887-6006

IN, Clarksville
(812) 284-3376

KS, Wichita
(316) 265-9577

MN, Lakeville
(952) 469-5267

MT, Billings
(406) 248-7771

ND, Bismarck
(701) 223-1886

ND, Fargo
(701) 282-7003

NE, Blair
(402) 426-8211

OH, Youngstown
(330) 793-0862

OR, Beaverton
(503) 641-1865

SD, Huron
(605) 352-8616

TX, Houston
(713) 928-2632

UT, Salt Lake City
(801) 972-4321

WI, Portage
(608) 742-1370

CANADIAN WAREHOUSES

B.C., Abbotsford
(604) 864-2665

AB, Edmonton
(780) 962-6991

SK, Regina
(306) 781-2300

ON, Woodstock
(519) 539-0435

QC, Dorion
(450) 455-4840

OFFSHORE WAREHOUSES

Burando Hill
Katanning
W. Australia
011-618-98-214422

Chihuahua, Mexico
011-52-158-90306

John Kerr Equipment Ltd.
Wilcoxholm Farm
Linlithgow, W. Lothian
Scotland
011-441-506-842280

Skovde, Sweden
011-46-500-452651

Naestved, Denmark
011-45-557-29511

bühler

Buhler Manufacturing

**301 Mountain Street S.
Morden MB.
R6M 1X7
Ph.: (204) 822-4467
Fax: (204) 822-6348
www.buhler.com**