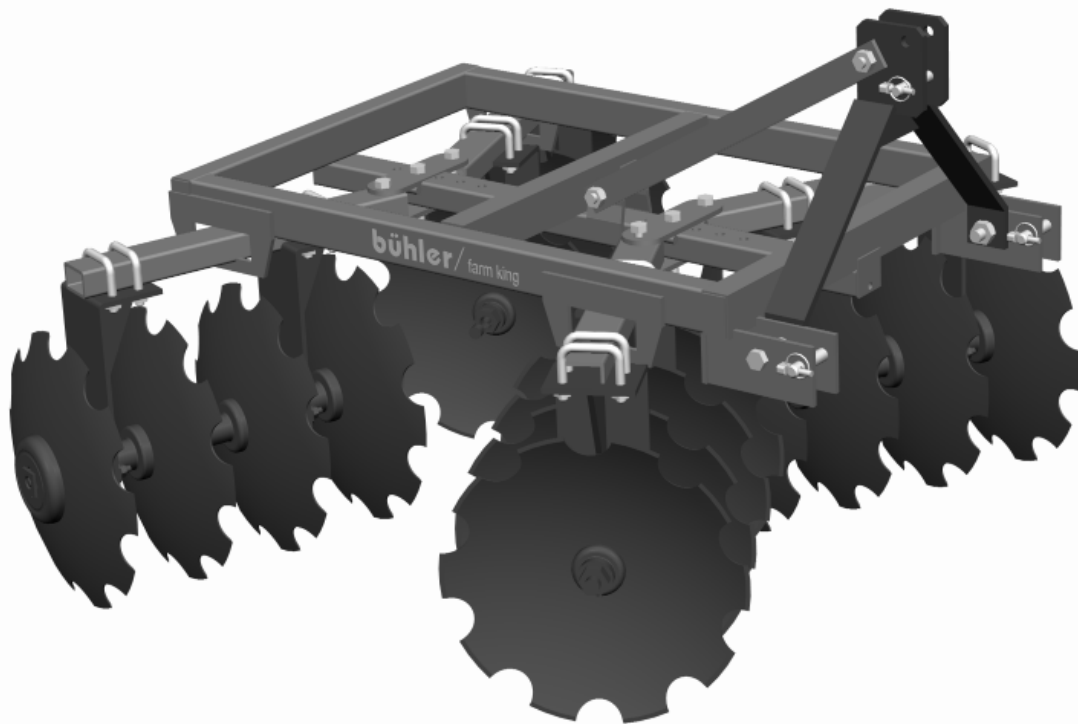


# bühler

---

## farm king



***5.5', 6.5', 7.5' & 8.5' Disc***

Operator's and Parts Manual  
FK350

2009



## TABLE OF CONTENTS

DESCRIPTION	PAGE
<b>WARRANTY</b> .....	1
<b>INTRODUCTION</b> .....	2
<b>SAFETY</b> .....	2
Safety .....	2
General Safety .....	3
Start Up Safety .....	3
Operation Safety .....	3
Transport Safety .....	3
Service and Maintenance Safety .....	4
Storage Safety .....	4
Safety Signs .....	4
Safety Sign Installation .....	4
<b>ASSEMBLY</b> .....	5
Assembly Instructions .....	5
<b>OPERATION</b> .....	6
Theory of Operation of Disc .....	6
<b>MAINTENANCE</b> .....	6
Bolt Torque .....	6
<b>PARTS DRAWINGS</b> .....	7
Disc .....	7
Disc Parts List .....	8
<b>SHIPPING KIT AND BUNDLE NUMBERS</b> .....	10

## WARRANTY POLICY

Buhler Manufacturing products are warranted for a period of twelve (12) months (90 days for commercial application) from original date of purchase, by original purchaser, to be free from defects in material and workmanship under correct, normal agricultural use and proper applications.

Buhler Manufacturing's obligations under this warranty shall be limited to the repair or exchange, at Buhler Manufacturing's option, of any Buhler Manufacturing product or part which proves to be defective as provided. Buhler Manufacturing reserves the right to either inspect the product at the buyer's location or have it returned to the factory for inspection.

The above warranty does not extend to goods damaged or subject to accident, abuse or misuse after shipment from Buhler Manufacturing's factory, nor to goods altered or repaired by anyone other than an authorized Buhler Manufacturing representative.

Buhler Manufacturing makes no Express Warranties other than those, which are specifically described. Any description of goods, including any references and specifications in catalogues, circulars and other written material published, is for the sole purpose of identifying goods and shall conform to such descriptions. Any sample or model is for illustrative purposes only and does not create an Express Warranty that the goods conform to sample or model shown.

The purchaser is solely responsible for determining suitability of goods sold. This warranty is expressly in lieu of all other warranties expressed or implied. Buhler Manufacturing will in no event be liable for any incidental or consequential damages whatsoever. Nor for any sum in excess of the price received for the goods for which liability is claimed.

### WARRANTY CLAIMS:

Warranty requests must be prepared on Buhler Manufacturing Warranty Claim Forms with all requested information properly completed. Warranty Claims must be submitted within a thirty (30) day period from date of failure repair.

### WARRANTY LABOR:

Any labor subject to warranty **must** be authorized by Buhler Manufacturing. The labor rate for replacing defective parts, where applicable, will be credited at 100% of the dealer's posted shop rate. Defective parts will receive an extra 10% discount to assist with freight or other incidental costs.

### GOVERNMENT LEGISLATION:

Warranty terms and conditions are subject to Provincial or State legislation.

### IMPORTANT FACTS:

Buckets and Bucket Tines Carry No Warranty  
Bent Spears Carry No Warranty  
Snowblower Fan Shafts Carry No Warranty  
Mower Blades Carry No Warranty  
Portable Auger Parts Have Two (2) Year Warranty  
Loader Parts Have Two (2) Year Warranty

**IMPORTANT NOTE: This warranty does not apply to rentals**

**INTRODUCTION**

The Buhler Farm King Disc features a 2" x 3" x 1/4" wall tube frame and 1/2" x 3" flat iron Hitch. Discs are spaced at 7 1/2" with cast iron spacers. Sealed, self-aligning bearings, 5 angle adjustments on each gang, and all notched or smooth discs or combinations are additional features. Optional scraper kit and center sweep are also available.

Keep this manual handy for frequent reference. All new operators or owners must review the manual for frequent reference. All new operators or owners must review the manual before using the equipment and at least annually thereafter. Contact your Buhler Dealer if you need assistance, information, or additional copies of the manual. Visit our website at [www.buhler.com](http://www.buhler.com) for a complete list of dealers in your area.

The directions left, right, front and rear, as mentioned throughout this manual, are as seen facing in the direction of travel of the implement.

DISC SIZE	H.P. REQUIREMENTS
5 1/2'	25 H.P.
6 1/2'	30 H.P.
7 1/2'	35 H.P.
8 1/2'	45 H.P.

**SAFETY**

Remember, YOU are the key to safety. Good safety practices not only protect you, but also the people around you. Make these practices a working part of your safety program. Be certain that everyone operating this equipment is familiar with the recommended operating and maintenance procedures and follows all the safety precautions. Most accidents can be prevented. Do not risk injury or death by ignoring good safety practices.

The alert symbol is used throughout this manual. It indicates attention is required and identifies hazards. Follow the recommended precautions.



The safety alert symbol means...  
**ATTENTION! BECOME ALERT! YOUR SAFETY IS INVOLVED!**



**CAUTION**

The caution symbol indicates a potentially hazardous situation that, if not avoided, may result in minor or moderate injury. It may also be used to alert against unsafe practices.



**WARNING**

The Warning Symbol indicates a potentially hazardous situation that, if not avoided, could result in death or serious injury, and includes hazards that are exposed when guards are removed. It may also be used to alert against unsafe practices.

**DANGER**

The Danger Symbol indicates an imminently hazardous situation that, if not avoided will result in death or serious injury. This signal word is to be limited to the most extreme situations, typically for machine components that, for functional purposes, cannot be guarded.

**GENERAL SAFETY INSTRUCTIONS**

Have a first-aid kit available for use and know how to use it. Have a fire extinguisher available, stored in a highly visible location, and know how to use it. Wear appropriate protective gear. This list may include but is not limited to:

- hard hat
- protective shoes with slip resistant soles
- protective glasses or goggles
- heavy gloves
- wet weather gear
- hearing protection
- respirator or filter mask

Read and understand the Operator's Manual and all safety signs before operating, servicing, adjusting, repairing, or unplugging the equipment. Do not attempt any unauthorized modifications to your Buhler product as this could affect function or safety, and could affect the life of the equipment. Inspect and clean the working area before operating. Ensure bystanders are clear of the area before operating.

**START UP SAFETY**

Do not let inexperienced operators or children run this equipment. Operate only with ROPS and seatbelt equipped tractors.

**OPERATION SAFETY**

Do not permit riders. Do not wear loose fitting clothing during operation.

**TRANSPORT SAFETY**

Review Transport Safety instructions in tractor manual before moving. Check with local authorities regarding transport on public roads. Obey all applicable laws and regulations. Make sure the SMV (Slow Moving Vehicle) emblem and all the lights and reflectors that are required by the local highway and transport authorities are in place, are clean, and can be seen clearly by all overtaking and oncoming traffic. Always travel at a safe speed.

## SERVICE AND MAINTENANCE SAFETY

Stop engine, set brake, remove ignition key, and wait for all moving parts to stop before servicing, adjusting, repairing, or unplugging. Support the equipment with blocks or safety stands before working beneath it.

Follow good shop practices including:

- keep service area clean and dry
- be sure electrical outlets and tools are properly grounded
- use adequate light for the job

Use only tools, jacks, and hoists of sufficient capacity for the job.

Use heavy leather gloves to handle sharp objects.

## STORAGE SAFETY

Store the unit in an area away from human activity.

Do not permit children to play on or around the stored machine.

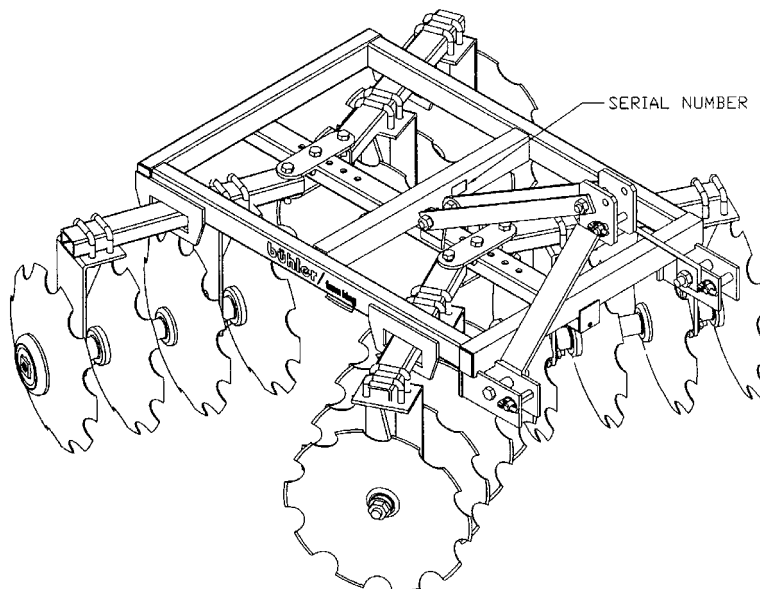
Support the frame on stands and blocks to provide a secure base.

## SAFETY SIGNS

The following illustration shows the approximate location and detail of safety signs. Keep all safety signs clean and legible and replace any that are damaged or missing. When original parts are replaced, any safety signs affixed to those parts should be replaced as well. Replacement safety signs are available from your local dealer.

## INSTALLATION

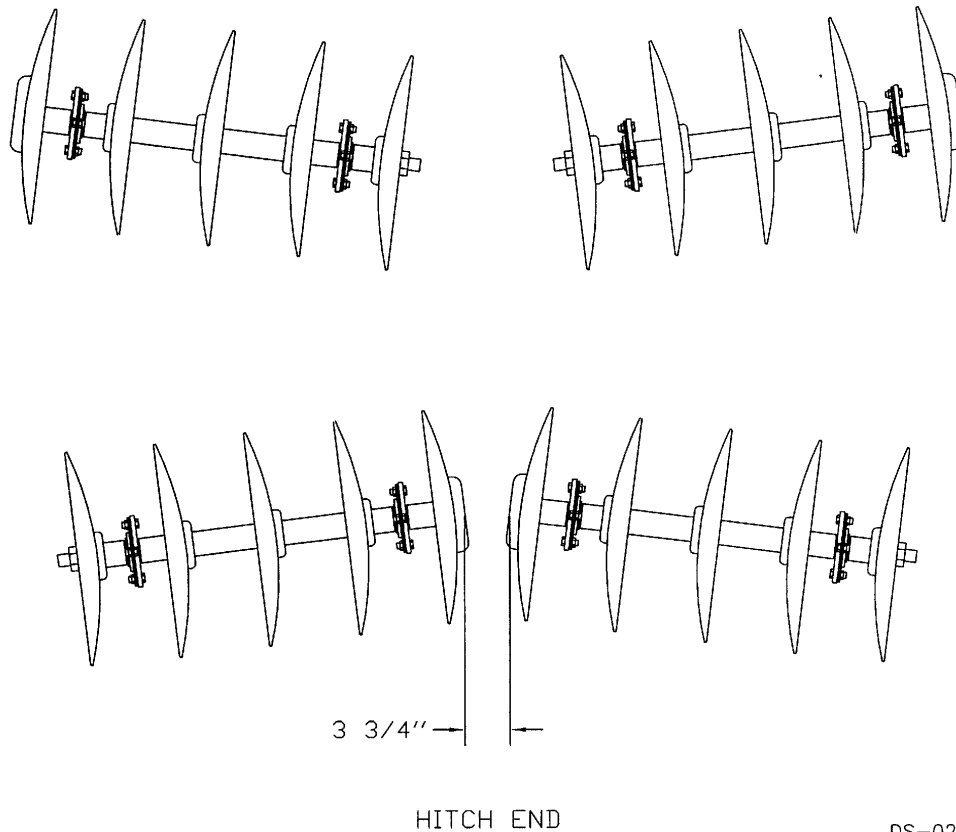
To install safety signs, ensure the installation area is clean and dry. Decide on the exact position before you remove the backing paper. Remove the smallest portion of the split backing paper and align over the specified area. Carefully press in place. Slowly peel back the remaining paper and smooth the remaining portion in place. Small air pockets can be pierced with a pin and smoothed out.



DS-03

**ASSEMBLY**

1. Bolt the hitch (#34) and the hitch braces (#32) to the frame (#1) using hardware supplied. **NOTE:** A hitch spacer (#33) goes between the hitch braces (#32) at each end.
2. Lift the frame off the ground and block up securely. Bolt the booms (#2 & #3) to the center of the frame using boom clevis (#4) and 5/8" x 4" bolts and lock nuts. There is a boom clevis at the top and bottom of the frame. **NOTE:** The front booms (hitch end) are 2" shorter than the rear booms.
3. Bolt the gang assemblies under the booms using U-bolts (#7), lockwashers and hex nuts. Turn the cupped side of the discs as shown in the drawing below.



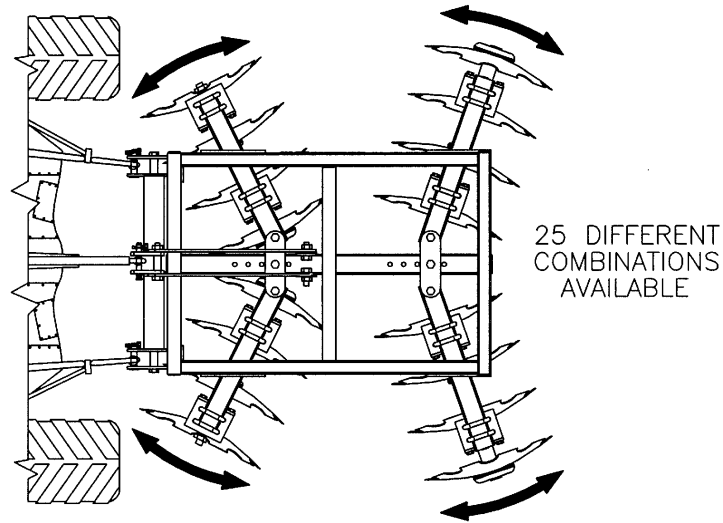
Position the gangs at the hitch end about 3 3/4" apart as shown in the drawing. Position the rear discs so they are centered between the front ones to give the maximum uniform coverage.

**NOTE:** Optional plain discs are available for the rear gangs only. The front gangs at the hitch end use the standard notched discs.



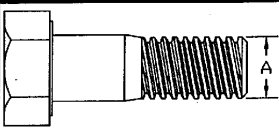
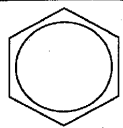

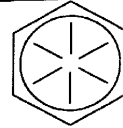
**OPERATION**

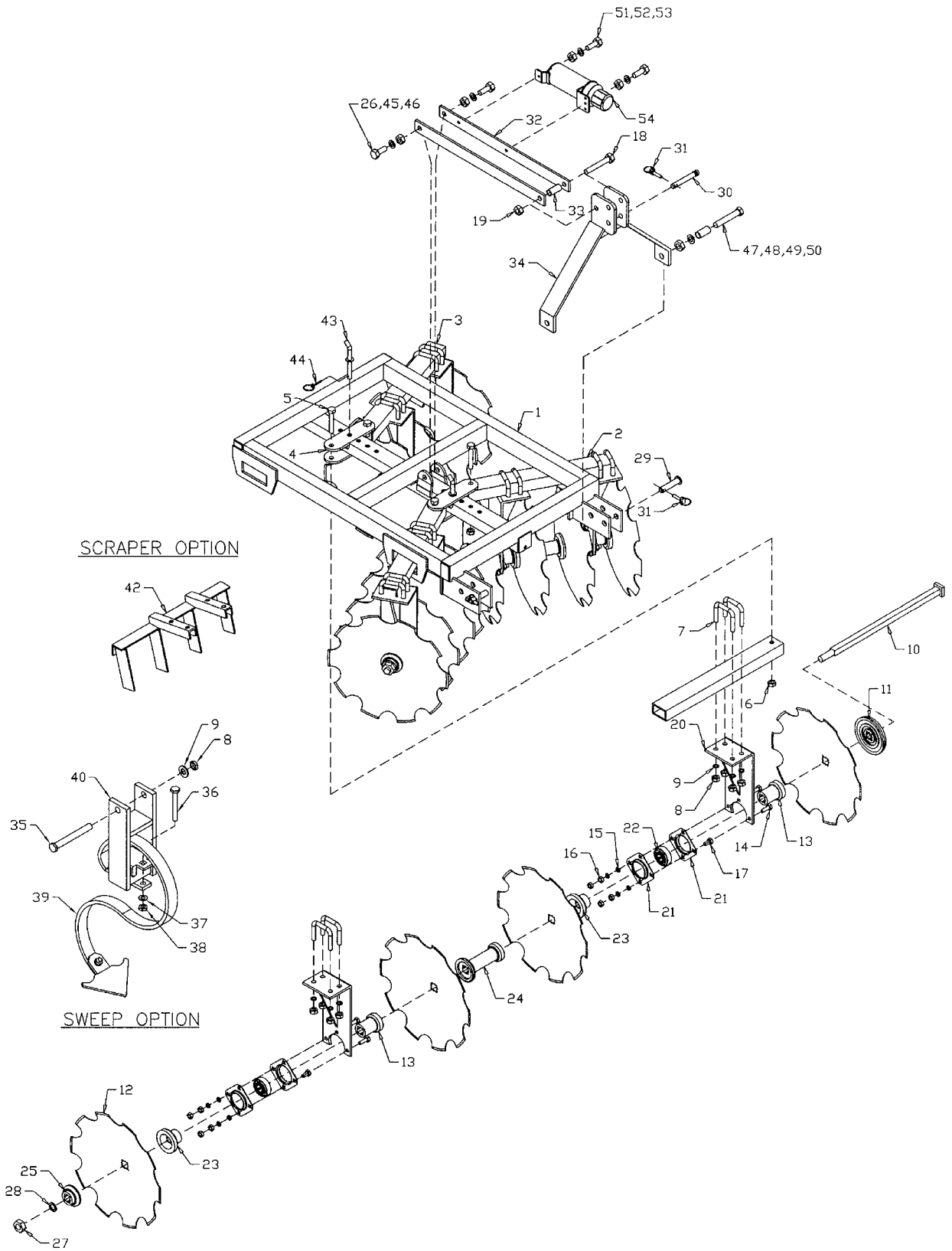
**THEORY OF OPERATION**



DS-04

**MAINTENANCE**

Bolt Torque						
 Bolt Diameter	 SAE2		 SAE5		 SAE8	
	N.m	lb-ft	N.m	lb-ft	N.m	lb-ft
"A"						
1/4"	8	6	12	9	17	12
5/16"	13	10	25	19	36	27
3/8"	27	20	45	33	63	45
7/16"	41	30	72	53	100	75
1/2"	61	45	110	80	155	115
9/16"	95	70	155	115	220	165
5/8"	128	95	215	160	305	220
3/4"	225	165	390	290	540	400
7/8"	230	170	570	420	880	650
1"	345	225	850	630	1320	970



**WHEN ORDERING PARTS**

Always give your dealer the Model, Color and Serial Number of your machine to assist him in ordering and obtaining the correct parts. Use the exploded view and tabular listing of the area of interest to exactly identify the required part.

**DISC PARTS LIST**

<b>ITEM</b>	<b>PART#</b>	<b>DESCRIPTION</b>
1	906761	5.5' Frame
	906762	6.5' & 7.5' Frame
	906763	8.5' Frame
2	967602	5.5' Front Boom 24"
	967603	6.5' Front Boom 31 1/2"
	967604	7.5' Front Boom 39"
	902798	8.5' Front Boom 46 3/4"
3	967605	5.5' Rear Boom 26"
	967606	6.5' Rear Boom 33 1/2"
	967607	7.5' Rear Boom 41"
	902799	8.5' Rear Boom 48 3/4"
4	967608	Boom Clevis
5	81671	5/8" x 4" Hex Bolt (pl)
6	812482	5/8" Lock Nut (pl)
7	967609	5/8" x 10" lg U-Bolt
8	81676	5/8" Hex Nut (pl)
9	81677	5/8" Lock Washer (pl)
10	967610	5.5' Shaft 26 3/4" long
	967611	6.5' Shaft 34 1/4" long
	967612	7.5' Shaft 41 3/4" long
	902797	8.5' Shaft 49 1/4" long
11	967613	End Cap Casting #5 (1.06" long)
12	967126	18" Notched Disc (5.5' & 6.5') Standard
	967127	20" Notched Disc (7.5' & 8.5') Standard
	967412	18" Plain Disc (5.5' & 6.5') Optional
	967413	20" Plain Disc (7.5' & 8.5') Optional
13	967614	Spacer Casting #2 (3.63" long)
14	84277	1/2" x 1 1/2" Hex Bolt (pl)
15	81637	1/2" Lock Washer (pl)
16	81636	1/2" Hex Nut (pl)
17	81619	1/2" x 1" Hex Bolt (pl)
18	811751	3/4" x 5" Hex Bolt (pl)
19	812365	3/4" Lock Nut (pl)
20	967615	Bearing Holder
21	902395	Bearing Flanges

22	967132	1" Square Bearing
23	967616	Spacer Casting #3 (2.3" long)
24	967617	Spacer Casting #1 (7.44" long)
25	967618	End Cap Casting #4 (1.25" long)
26	84467	3/4" x 2" Hex Bolt (pl)
27	967148	1" Lock Nut (pl)
28	84522	1" SAE Flat Washer (pl)
29	967361	Clevis Pin 7/8" x 4"
30	965807	Category 1 Top Link Pin
31	965911	7/16" Linch Pins
32	906757	Hitch Braces 3/8" x 2" x 28 3/4"
33	906770	Hitch Spacer (1" O.D. x 2 1/4" Long)
34	F0351	Hitch Weldment
35	81673	5/8" x 5" Hex Bolt (pl)
36	967298	7/16" x 3 1/2" Carriage Bolt (pl)
37	81615	7/16" Lock Washer (pl)
38	81614	7/16" Hex Nut (pl)
39	902278	S-Tine Assembly
40	902133	Sweep Weldment
41	967562	Tine Clamp
42	901092	5.5' Left Scraper Weldment
	902251	5.5' Right Scraper Weldment
	901093	6.5' Left Scraper Weldment
	902252	6.5' Right Scraper Weldment
	901094	7.5' Left Scraper Weldment
	902734	7.5' Right Scraper Weldment
	902804	8.5' Left Scraper Weldment
	902805	8.5' Right Scraper Weldment
43	903525	Center Adjustment Pin
44	966729	3/16" Linch Pin (pl)
45	81701	3/4" Lock Washer (pl)
46	81700	3/4" Hex Nut (pl)
47	906775	Hitch Spacer (1 1/4"OD x 2 1/4")
48	811826	7/8" x 5" Hex Bolt (pl)
49	81723	7/8" Lock Washer (pl)
50	81722	7/8" Hex Nut (pl)
51	812026	5/16" x 1" Hex Bolt (pl)
52	81569	5/16" Lock Washer (pl)
53	81568	5/16" Hex Nut (pl)
54	909277	Manual Holder

**SHIPPING KIT AND BUNDLE NUMBERS**

The following is a list of Kit Numbers for this product and the Bundle Numbers, Descriptions, and Quantities for each Kit.

**QUANTITY BUNDLE NO. DESCRIPTION**

**Y505TD 5 1/2' DISC W/NOTCHED DISCS**

1	F0351	Hitch
4	F6544	Gang - notched
1	F0358	Frame
1	F0367	Carton of Parts

**Y505TDP 5 1/2' DISC W/NOTCHED AND PLAIN DISCS**

1	F0351	Hitch
2	F6544	Gang - notched
1	F0358	Frame
1	F0367	Carton of Parts
2	F6565	Gang - plain

**Y605TD 6 1/2' DISC W/NOTCHED DISCS**

1	F0351	Hitch
4	F6545	Gang – notched
1	F0359	Frame
1	F0367	Carton of Parts

**Y605TDP 6 1/2' DISC W/NOTCHED AND PLAIN DISCS**

1	F0351	Hitch
2	F6545	Gang – notched
1	F0359	Frame
1	F0367	Carton of Parts
2	F6566	Gang – plain

**Y705TD 7 1/2' DISC W/NOTCHED DISCS**

1	F0351	Hitch
4	F6546	Gang – notched
1	F0360	Frame
1	F0367	Carton of Parts

**SHIPPING KIT AND BUNDLE NUMBERS – cont'd.**

**Y705TD 7 1/2' DISC W/NOTCHED AND PLAIN DISCS**

1	F0351	Hitch
2	F6546	Gang – notched
1	F0360	Frame
1	F0367	Carton of Parts
2	F6567	Gang – plain

**Y805TD 8 1/2' DISC W/NOTCHED DISCS**

1	F0351	Hitch
1	F0367	Carton of Parts
1	F0361	Frame
4	F6677	Gang – notched

**Y805TDP 8 1/2' DISC W/NOTCHED AND PLAIN DISCS**

1	F0351	Hitch
1	F0367	Carton of Parts
1	F0361	Frame
2	F6677	Gang – notched
2	F6678	Gang – plain

**OPTIONS:**

The following is a list of options available for the Kits listed above.

FTD5	Scraper Kit for 5 1/2' Disc
FTD6	Scraper Kit for 6 1/2' Disc
FTD7	Scraper Kit for 7 1/2' Disc
FTD8	Scraper Kit for 8 1/2' Disc
F6593	Center Sweep



## DIVISION LOCATIONS

Farm King Division  
301 Mountain Street S.  
Morden, MB R6M 1X7  
Ph.: (204) 822-4467  
Fax: (204) 822-6348

Allied/Inland Division  
1260 Clarence Avenue  
Winnipeg, MB R3T 1T2  
Ph.: (204) 284-6100  
Fax: (204) 477-2325

B.I.I. Division  
1330 43<sup>rd</sup> Street N.W.  
Fargo, ND 58102  
Ph: (701) 282-7014  
Fax: (701) 282-5865

## U.S. WAREHOUSES

AR, West Memphis  
(870) 732-3132

GA, Stone Mountain  
(770) 908-9439

ID, Meridian  
(208) 887-6006

IN, Clarksville  
(812) 284-3376

KS, Wichita  
(316) 265-9577

MN, Lakeville  
(952) 469-5267

MT, Billings  
(406) 248-7771

ND, Bismarck  
(701) 223-1886

ND, Fargo  
(701) 282-7003

NE, Blair  
(402) 426-8211

OH, Youngstown  
(330) 793-0862

OR, Beaverton  
(503) 641-1865

SD, Huron  
(605) 352-8616

TX, Houston  
(713) 928-2632

UT, Salt Lake City  
(801) 972-4321

WI, Portage  
(608) 742-1370

## CANADIAN WAREHOUSES

B.C., Abbotsford  
(604) 864-2665

AB, Edmonton  
(780) 962-6991

SK, Regina  
(306) 781-2300

ON, Woodstock  
(519) 539-0435

QC, Dorion  
(450) 455-4840

## OFFSHORE WAREHOUSES

Burando Hill  
Katanning  
W. Australia  
011-618-98-214422

Chihuahua, Mexico  
011-52-158-90306

John Kerr Equipment Ltd.  
Wilcoxholm Farm  
Linlithgow, W. Lothian  
Scotland  
011-441-506-842280

Skovde, Sweden  
011-46-500-452651

Naestved, Denmark  
011-45-557-29511

# bühler

**Buhler Manufacturing**

**301 Mountain Street S.  
Morden MB.  
R6M 1X7  
Ph.: (204) 822-4467  
Fax: (204) 822-6348  
[www.buhler.com](http://www.buhler.com)**