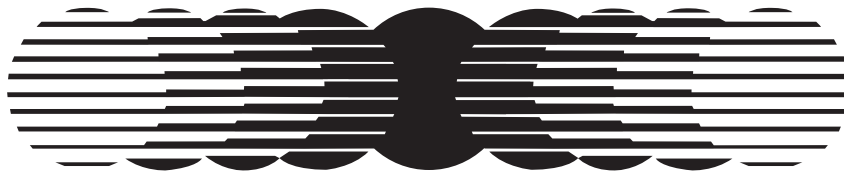


OPERATING MANUAL

2012 AND 2024
SOIL SAMPLER

Amity
TECHNOLOGY



2800 7TH Avenue North
Fargo, ND 58102

Phone: (701) 232-4199
Fax: (701) 234-1716
www.amitytech.com

AMITY TECHNOLOGY, LLC PRODUCT WARRANTY

Amity Technology, LLC warrants to the original purchaser only, each new item of Amity agricultural equipment sold by it to be free of defects in workmanship materials for a period of twelve (12) months from the date the product is delivered to the Purchaser (Warranty Period).

The sole obligation of Amity is limited to the repair or replacement, whichever Amity chooses, of those parts which Amity, in its sole discretion, determines to have failed as a result of a defect in workmanship or material occurring during the Warranty Period. Such defective part will, at the option of Amity, either be repaired or replaced to the Purchaser through an authorized Amity dealer. The Purchaser must, within the Warranty Period, give written notice to an authorized Amity dealer and the dealer will have a reasonable time to repair or replace the defective part. Amity's dealer's claimed labor hours must be fair, reasonable and consistent with industry practice.

This Warranty does not cover damage to other parts of the product caused as a result of delay by the Purchaser to repair or replace defective parts. Amity will not be liable for direct or indirect costs other than those specified and this Warranty specifically excludes damage to crops, loss of use, transportation expense to a dealer, service calls, normal maintenance and upkeep costs, overtime labor costs, and any and all other injuries, claims or consequential damage or other economic loss. This Warranty does not cover damage caused to or by any equipment, accessories or parts attached to or used in connection with Amity equipment. This Warranty shall be void if alteration, modifications or additions are made to Amity products without written consent of Amity, or if in Amity's judgment, the failure was due to abuse or neglect in the operation or maintenance of the product. This Warranty shall only apply if Amity equipment is used for its recommended agricultural purpose. No dealer, salesman, or agent has any authority to alter or amend this Warranty.

THIS WARRANTY IS IN LIEU OF ALL OTHER WARRANTIES, EXPRESSED OR IMPLIED, AND THERE IS NO WARRANTY OF MERCHANTABILITY OR FITNESS FOR A PARTICULAR PURPOSE.

WARRANTY VOID IF NOT REGISTERED

Thank you for your purchase of the 2024 Auger Soil Sampler.

Note: Amity includes brackets that will fit most ATVs. We welcome you to make your own brackets for a proper fit.

1. Use the flat iron bracket with an elbow to secure the bottom base of the sampler mast to the foot rest of the ATV. Use the u-clamp that is provided. **[Figure 1]**
2. Mount sampler to the ATV frame so the collection bucket is 6 to 8 inches off the ground.
3. Use the four strap metals to fasten the top of the sampler; these can be mounted on either the front or back rack. Use any spare holes or bolts on the top of the mask to secure the straps. **[Figure 2]**



Figure 1



Figure 2

Honda Power Unit

1. Mount the Honda power unit on the back rack with bolts and plates provided. **[Figure 3]**
2. The red (+) and black (-) wires will attach to the power source. Power is needed to run the electric over hydraulic valves.
3. Run the Honda engine at a speed you are comfortable with. Engine rpm determines the rpm of the auger.
4. Turn the hydraulic valves in and out for controlling the up and down speed as well as the auger. **[Figure 4]**

Note: While taking a sample be sure the bucket is on level ground (not on a rock or a lump of dirt) **DO NOT MOVE ATV WITH AUGER IN THE GROUND** as it will be damaged. Listen to the engine, if it sounds like it is about to stall, release the button and wait for it to catch up before continuing (you may have to increase engine RPM or lower pressure)



Figure 3



Figure 4

5. On the top of the mask there are two tightening bolts, make sure they are loose enough that the roller wheels slide freely so the sprocket gear does not bind on the rail mast. **[Figure 5]**

Note: These two bolts are also used to adjust the auger front wards or backwards for lining up the auger for the collection bucket.

6. Rods slide through the black container box which can be moved left or right to line up the auger for entering the hole in the collection bucket. **[Figure 6]**
7. Adjust the auger by using the set screw to slide the auger up and down for a best fit to enter the collection bucket.

Recommendation: Set the auger to $\frac{1}{4}$ inch in the bucket to keep it lined up properly.

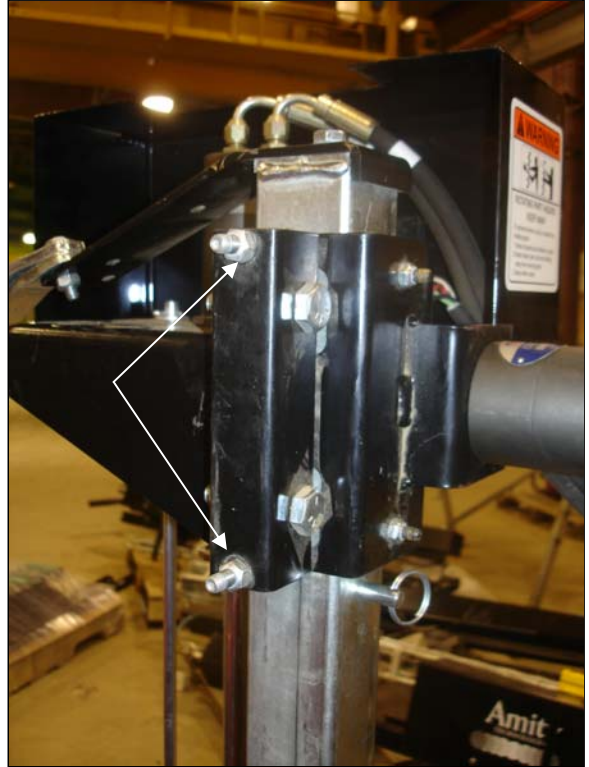


Figure 5

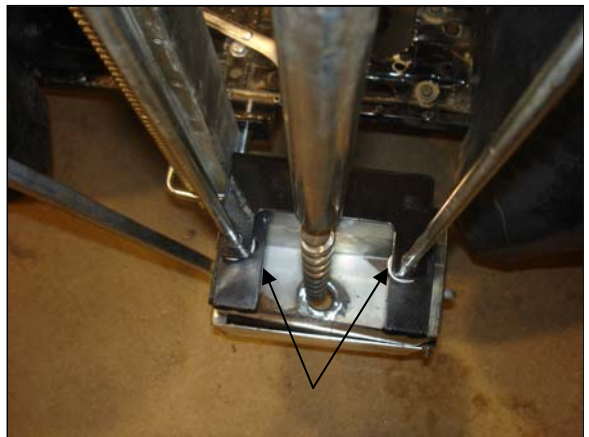


Figure 6

8. Adjust the lock collar to fit your own sampling depths, and to trigger the sampler to stop at different heights. **[Figure 7]**
9. Before using your sampler, check the set screw that holds the auger in place and the two set screws that hold the spur gear in place. **[Figure 8]**

Note: Clean and oil the auger regularly to improve sampling ease

WARNING: ENGINE WILL STOP IMMEDIATELY WHEN OIL LEVEL IS LOW [Figure 9]



Figure 7

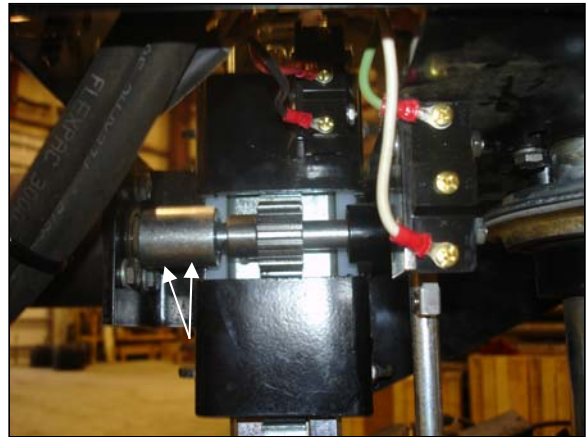
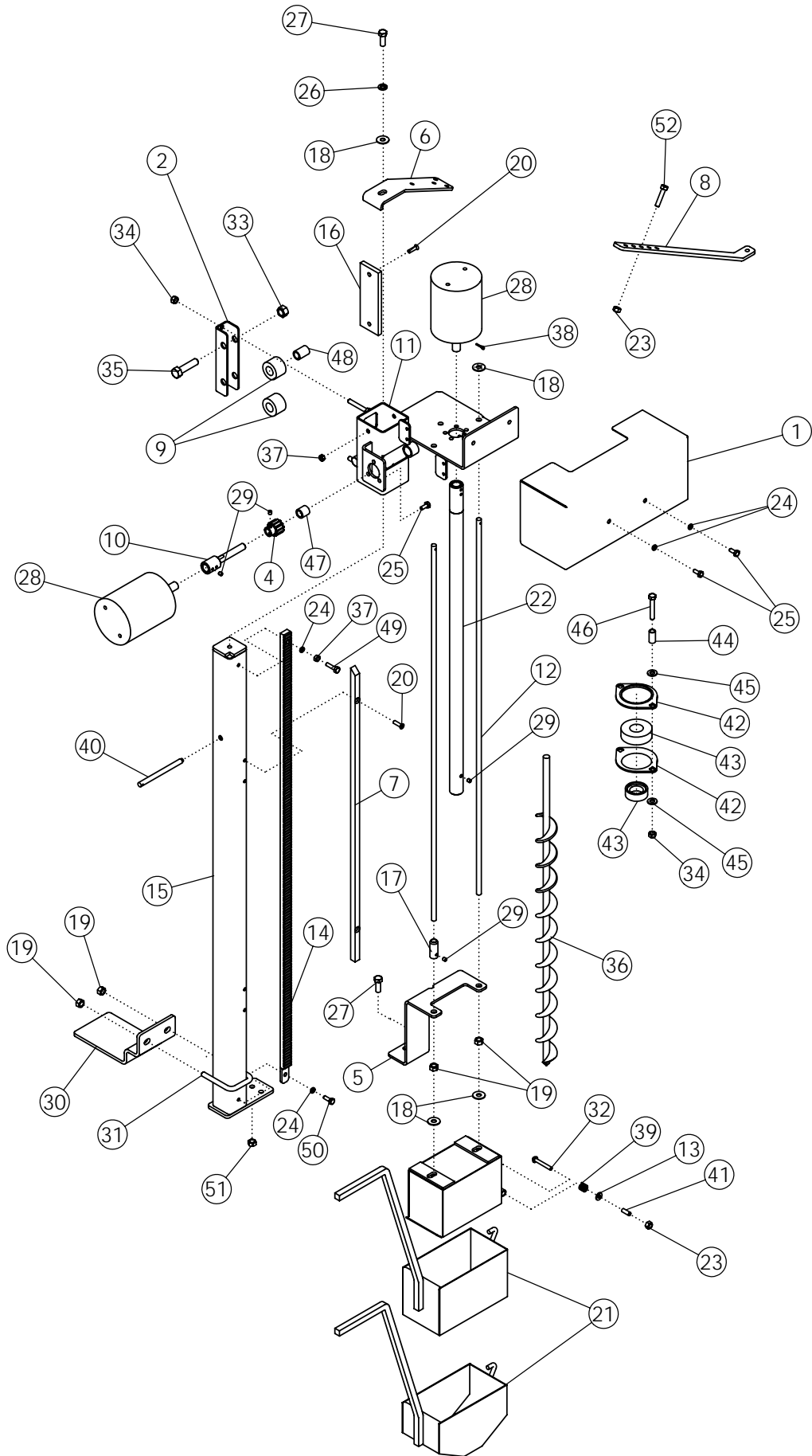


Figure 8



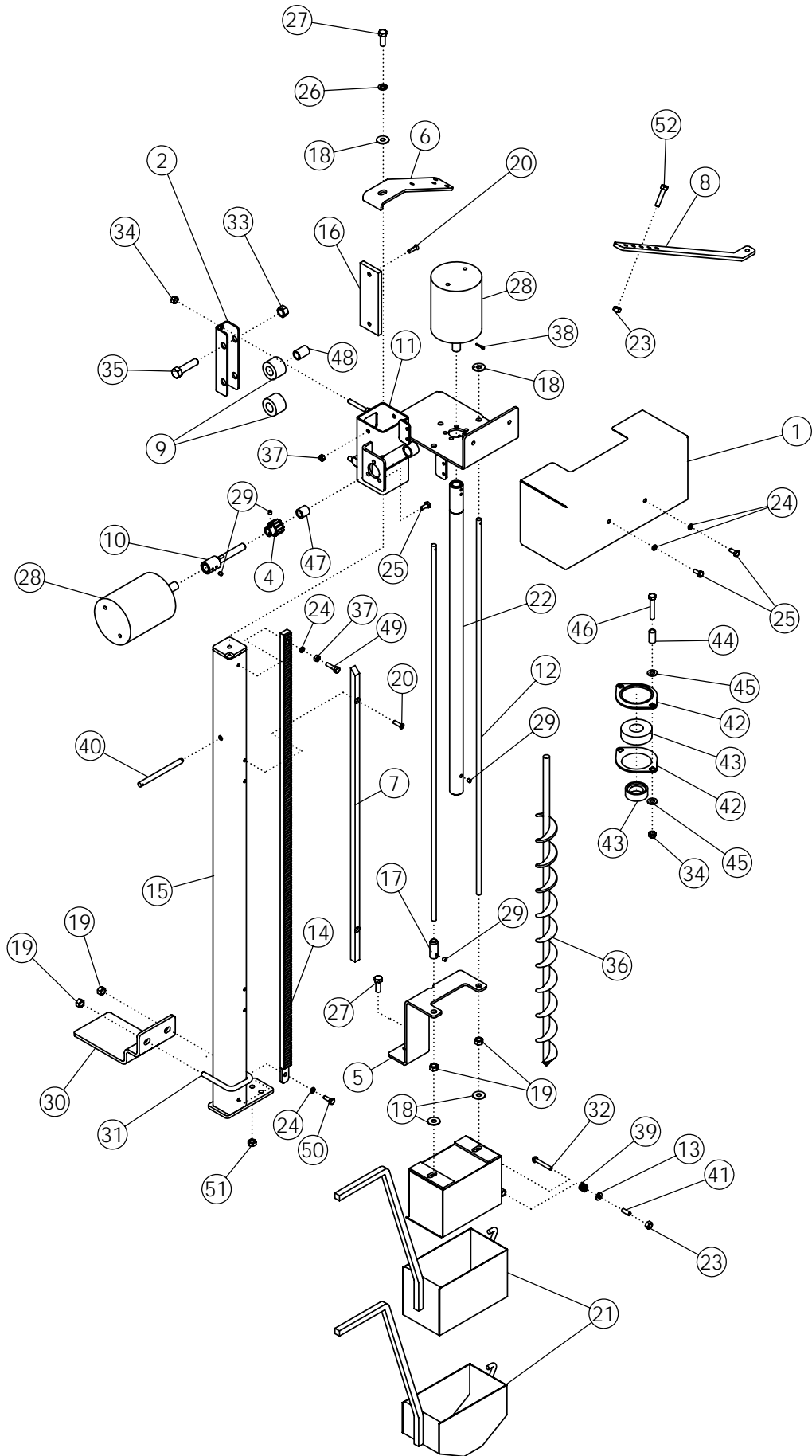
Figure 9



2012 & 2024 ATV MOUNT

ITEM	PART NO.	DESCRIPTION	QTY
1	1040273	COVER	1
2	1040277	ROLLER MOUNT	1
3	1040292	WLDMT-LATCH BOX	1
4	1040313	SPUR GEAR	1
5	1040283	ROD MOUNT	1
6	1040270	FRONT BRACE MOUNT	1
7	1040281	BAR-RAMP	1
8	1040284	BRACE-FRONT	8
9	1040285	ROLLER	2
10	1040959	DRIVE SHAFT ZP	1
11	1040296	WLDMT-POWERHEAD	1
12	1040272	ROD	2
13	0100979	WASHER-FLAT: SAE .25 ZP	1
14	1040294	WLDMT - RACK	1
15	1040293	WLDMT-MAST	1
16	1040295	POWER HEAD GUIDE	2
17	1040280	STOP	1
18	1011828	WASHER-FLAT .38 ZP	7
19	1011576	NUT-HEX: .38 NC GR2 ZP	6
20	1029108	SCREW-F-H-S-C: .25-20 X .75 GR8	2
21	1040291	WLDMT-BUCKET ZP	1
	1040302	WLDMT-BUCKET SSO 2012 ZP	
22	1040999	SHAFT-AUGER 12"	1
	1041000	SHAFT-AUGER 24"	
23	1030700	NUT-TOPLOCK: .31 NC GR5 ZP	8
24	1013242	WASHER-LOCK: .25 ZP	6
25	1011198	BOLT-HEX: .25 X .63 NF ZP	4
26	1011586	WASHER-LOCK: .38 ZP	1
27	1011600	BOLT-HEX: .38 X 1.00 NC GR5 ZP	3
28	1031963	MOTOR-HYDRAULIC	2
29	1040328	SET SCREW: .25 - D11	6
30	1040431	MOUNT-FOOT REST	1
31	1040468	U-BOLT: .38 X 3.00 X 2.00 X 3.00	1
32	1040304	LATCH BOLT	2
33	1011577	NUT-HEX: .50 NC ZP	2
34	1032278	NUT-TOPLOCK: .31 NC GR5 ZP	3
35	1011609	BOLT-HEX: .50 X 2.00 NC GR5 ZP	2
36	1031969	BIT-AUGER .75 X 12"	1
	1040312	BIT-AUGER .75 X 24"	
37	1011587	NUT-HEX: .25 NC GR5 ZP	1
38	65321	PIN-COTTER	2

CONTINUED



2012 & 2024 ATV MOUNT (CONTINUED)

ITEM	PART NO.	DESCRIPTION	QTY
39	1040306	SPRING	2
40	1025090	PIN-QUICK RELEASE	1
41	1040320	BUSHING-LATCH BOLT	2
42	1031959	FLANGETTE-BEARING: 2 HOLE - D3	2
43	1031962	RND BEARING W/LOCKING COLLAR- D3	1
44	1031927	BUSHING	2
45	1011582	WASHER-FLAT: SAE .31 ZP	4
46	1011285	BOLT-HEX: .31 X 2.00 NC	2
47	1040828	BUSHING-OILITE	1
48	1040314	BUSHING-ROLLER	2
49	1013423	BOLT-HEX: .25 X 1.00 NC GR5 ZP	1
50	1011595	BOLT-HEX: .25 X .75 NC GR5 ZP	1
51	1016999	NUT-TOPLOCK: .38 NC GR5 ZP	2
52	1014124	BOLT-HEX: .31 X 1.50 NC GR5 ZP	7